

# GMS800 Extractive Gas Analyzer Basic Configuration Training

## SICK LifeTime Services Training Course



### Description

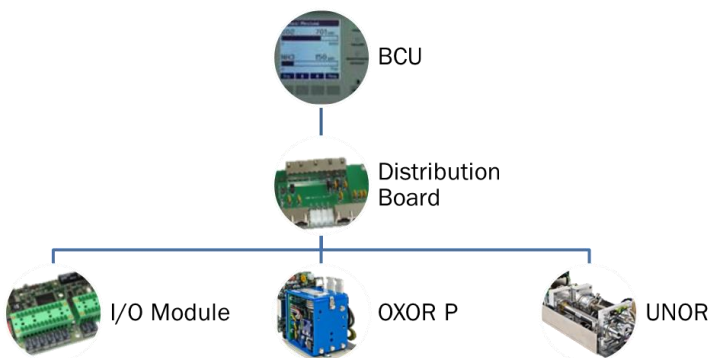
This course teaches the basic information needed for configuring the GMS800 including basic parameters, settings, adjustments, and validations. Participants will receive hands on experience (demonstration for online meeting) using the SOPAS Engineering tool to configure the basic settings of the GMS800. *\*Sample gas conditioning is required for most applications. This course does not cover sample gas conditioning which depends on the individual application and could include particle filters, heated sample lines, liquid separators, safety devices, etc...*

### Objectives

- SOPAS Engineering Tool
- BCU Basics
- Measured Value Configuration
- IO Configuration
- Adjustment/Validation Configuration
- Backup/Restore Data

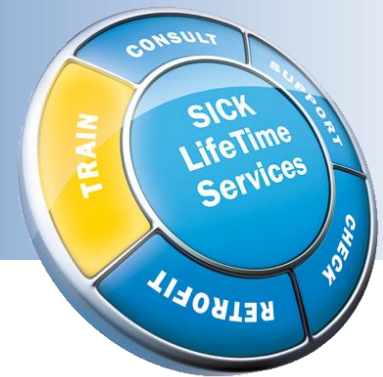
### Course Benefits

- Beyond just connecting to the device, learn more about SOPAS ET functions.
- Explore the basic parameters and settings using SOPAS ET software.
- Learn how to configure measured values and IO modules.
- Learn how to configure the device for adjustments and validations.
- Understand how to backup and restore data.



# GMS800 Extractive Gas Analyzer Basic Configuration Training

## SICK LifeTime Services Training Course



### Target Audience

Technicians in Measuring and Control

### Prerequisites

GMS800 Overview

### Recommended Additional Course

None

### Duration

2 Hours

### Class Size

Maximum of 8

### Where Offered

- Customer Site
- SICK Houston Training Center
- Online meeting

### Format

Lecture, demonstration, hands-on

### Testing Available

No



### SICK Training & Education

From product training, start-up assistance, and engineering and consulting services — SICK provides the necessary support before and after field installation through an established network of field personnel. Training, service and support programs from SICK help you reach your goals with our innovative, cost-effective solutions.

SICK offers several types of training programs to help you learn more about our innovative products and systems. Many of our training modules offer hands-on, real-world application examples and problem-solving experiences. Please visit our website at <http://www.sickusa.com> for more information.

### SICK Provides These Materials

- GMS800 UNOR and DEFOR for use during training session.
- Printed Training Books
- Electronic Operating Instructions, BCU Technical Instructions, IO module operating instructions.

### Logistics

The following must be made available for the duration of the training:

- A suitable training room/area
- A projector with screen for use with a PC
- PC/Laptop with SOPAS ET installed

For virtual training:

- PC with SOPAS installed prior to attending
- Online meeting tool installed (if necessary) prior to attending

Failure to have the customer required material and/or logistics available may lead to ineffective training and may result in the class not being able to achieve the described objectives and course benefits.

### Part Number

1074866

Travel expenses additional. Please contact SICK for information.