



# UE410-XM3

## Flexi Classic

**SAFETY CONTROLLERS**

**SICK**  
Sensor Intelligence.

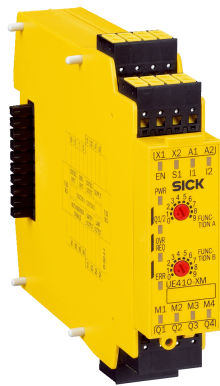


Illustration may differ



### Ordering information

Type	part no.
UE410-XM3	6034483

Other models and accessories → [www.sick.com/Flexi\\_Classic](http://www.sick.com/Flexi_Classic)

### Detailed technical data

#### Features

<b>Module</b>	I/O module
<b>Configuration method</b>	Via rotary switch

#### Safety-related parameters

<b>Safety integrity level</b>	SIL 3 (IEC 61508)
<b>Category</b>	Category 4 (EN ISO 13849)
<b>Performance level</b>	PL e (EN ISO 13849)
<b>PFH<sub>D</sub> (mean probability of a dangerous failure per hour)</b>	2.5 x 10 <sup>-9</sup> (EN ISO 13849)
<b>T<sub>M</sub> (mission time)</b>	20 years (EN ISO 13849)

#### Functions

<b>Restart interlock</b>	Manual / automatic (configurable)
<b>External device monitoring (EDM)</b>	✓
<b>Differentiation between man and material (muting)</b>	✓
Override	✓
Concurrence monitoring	✓
Monitoring of total muting time	✓
Sensor gap monitoring	✓
End of muting by ESPE	✓

#### Interfaces

<b>Inputs</b>	2 safety inputs 2 switching inputs 4 muting inputs
<b>Number of muting sensors</b>	2 / 4

<b>Outputs</b>	2 safety outputs 2 test outputs 2 application diagnostic outputs
<b>Connection type</b>	Plug-in screw-type terminals
<b>Display elements</b>	LEDs

### Electronics

<b>Protection class</b>	III (EN 61140)
<b>Voltage supply</b>	Via A1, A2
<b>Type of voltage supply</b>	PELV or SELV <sup>1)</sup>
<b>Supply voltage <math>V_s</math></b>	24 V DC (19.2 V DC ... 30 V DC)
<b>Residual ripple</b>	≤ 10 %
<b>Power consumption</b>	≤ 3 W (DC)
<b>Internal power consumption</b>	≤ 3 W (DC)

<sup>1)</sup> The current of the power supply that powers the module must be limited to a maximum of 4 A, either through the power supply itself or a fuse.

### Mechanics

<b>Dimensions (W x H x D)</b>	22.5 mm x 96.5 mm x 120.8 mm
<b>Weight</b>	180 g

### Ambient data

<b>Enclosure rating</b>	Housing	IP40 (EN 60529)
	Terminals	IP20 (EN 60529)
<b>Ambient operating temperature</b>	-25 °C ... +55 °C	
<b>Storage temperature</b>	-25 °C ... +70 °C	
<b>Air humidity</b>	≤ 95 %, Non-condensing	
<b>Climate conditions according to</b>	EN 61131-2 (55 °C ambient operating temperature, 95% rel. humidity)	
<b>Electromagnetic compatibility (EMC)</b>	Class A (EN 61000-6-2, EN 55011)	
<b>Vibration resistance</b>	5 g RMS, 5 Hz ... 500 Hz (EN 60068-2-64)	

### Classifications

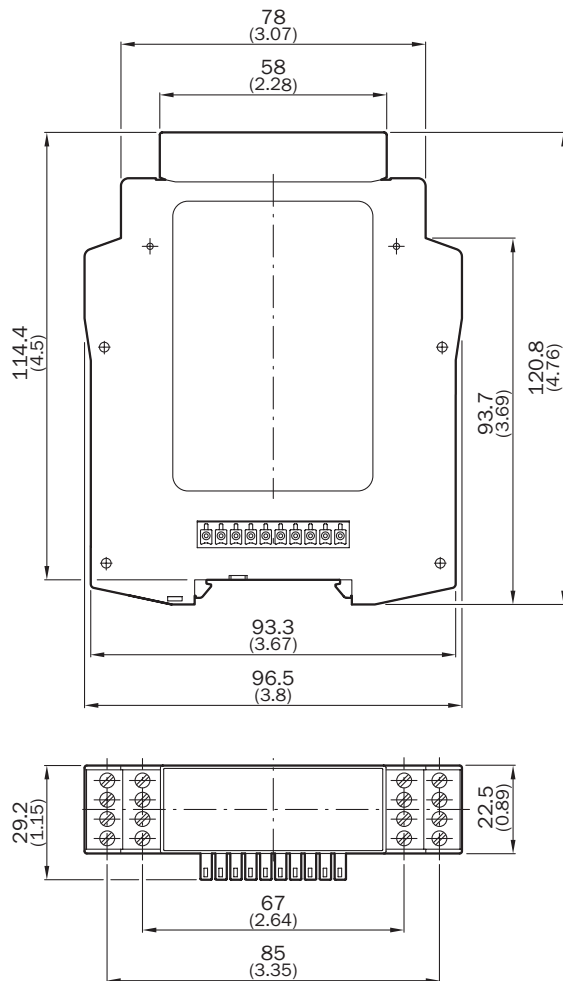
<b>ECLASS 5.0</b>	27243001
<b>ECLASS 5.1.4</b>	27243101
<b>ECLASS 6.0</b>	27243101
<b>ECLASS 6.2</b>	27243101
<b>ECLASS 7.0</b>	27243101
<b>ECLASS 8.0</b>	27243101
<b>ECLASS 8.1</b>	27243101
<b>ECLASS 9.0</b>	27243101
<b>ECLASS 10.0</b>	27243101
<b>ECLASS 11.0</b>	27243101
<b>ECLASS 12.0</b>	27243101
<b>ETIM 5.0</b>	EC001449
<b>ETIM 6.0</b>	EC001449

<b>ETIM 7.0</b>	EC001449
<b>ETIM 8.0</b>	EC001449
<b>UNSPSC 16.0901</b>	32151705

### Certificates

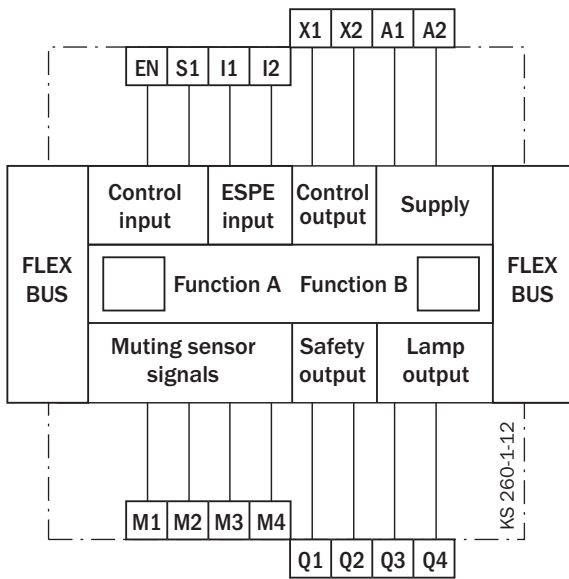
<b>EU declaration of conformity</b>	✓
<b>UK declaration of conformity</b>	✓
<b>China RoHS</b>	✓
<b>CCC certificate</b>	✓
<b>UK-Type-Examination approval</b>	✓
<b>cULus certificate</b>	✓
<b>cTUVus certificate</b>	✓
<b>EC-Type-Examination approval</b>	✓
<b>Information according to Art. 3 of Data Act (Regulation EU 2023/2854)</b>	✓

### Dimensional drawing



Dimensions in mm (inch)

Connection diagram



## SICK AT A GLANCE

SICK is one of the leading manufacturers of intelligent sensors and sensor solutions for industrial applications. A unique range of products and services creates the perfect basis for controlling processes securely and efficiently, protecting individuals from accidents and preventing damage to the environment.

We have extensive experience in a wide range of industries and understand their processes and requirements. With intelligent sensors, we can deliver exactly what our customers need. In application centers in Europe, Asia and North America, system solutions are tested and optimized in accordance with customer specifications. All this makes us a reliable supplier and development partner.

Comprehensive services complete our offering: SICK LifeTime Services provide support throughout the machine life cycle and ensure safety and productivity.

For us, that is “Sensor Intelligence.”

## WORLDWIDE PRESENCE:

Contacts and other locations –[www.sick.com](http://www.sick.com)