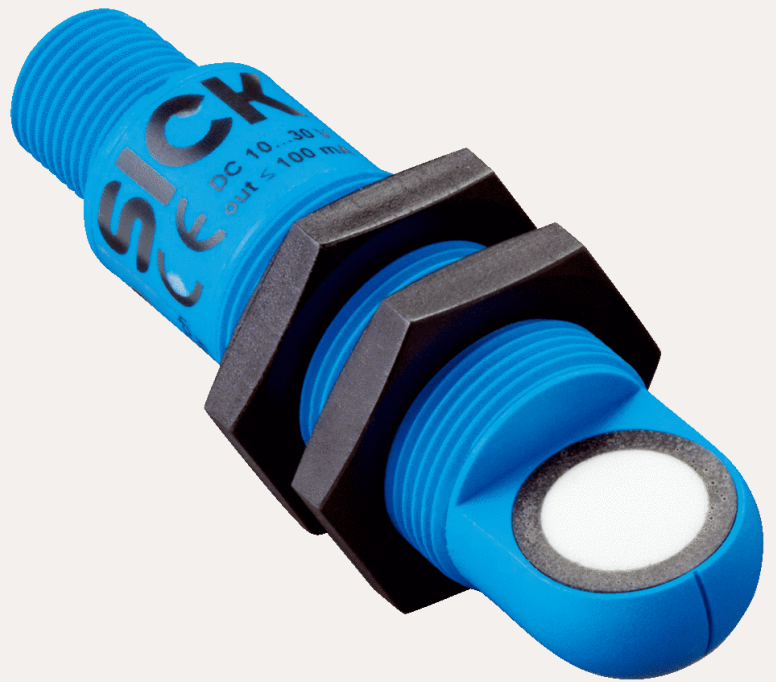


SICK.COM



DATA SHEET

**UM18-212161102**

UM18  
Ultrasonic distance sensors

**SICK** Sensor Intelligence

## ULTRASONIC DISTANCE SENSORS

# UM18-212161102

### ORDERING INFORMATION

Type	part no.
UM18-212161102	6048417

Further device versions and accessories at [www.sick.com/UM18](http://www.sick.com/UM18)



### DETAILED TECHNICAL DATA

#### FEATURES

Operating range, limiting range	65 mm ... 350 mm, 600 mm
Resolution	≥ 0.2 mm
Repeatability	± 0.15 % <sup>1)</sup>
Measurement accuracy	± 1 % <sup>2)</sup>
Response time	64 ms
Switching frequency	12 Hz
Output time	16 ms
Ultrasonic frequency (typical)	400 kHz
Detection area (typical)	See diagrams
Additional function	Set switching mode: Distance to object (DtO) / Window (Wnd) / Object between sensor and background (ObSB) Teach-in of digital output Invertible digital output Reset to factory default

<sup>1)</sup> In relation to the current measured value, minimum value ≥ resolution.

<sup>2)</sup> Referring to current measurement value.

#### INTERFACES

Digital output	Number	1 <sup>1)</sup>
	Type	PNP

<sup>1)</sup> PNP: HIGH = V<sub>s</sub> - (< 2 V) / LOW = 0 V.

	Maximum output current $I_A$	$\leq 200$ mA
Hysteresis		5 mm

<sup>1)</sup> PNP: HIGH =  $V_s$  - (< 2 V) / LOW = 0 V.

## ELECTRONICS

Supply voltage $U_s$	DC 10 V ... 30 V <sup>1)</sup>
Power consumption	$\leq 1.2$ W <sup>2)</sup>
Initialization time	< 300 ms
Display	2 x LED
Enclosure rating	IP65 / IP67
Protection class	III

<sup>1)</sup> Limit values, reverse-polarity protected Operation in short-circuit protected network: max. 8 A, class 2.

<sup>2)</sup> Without load.

## MECHANICS

Dimensions (W x H x D)	18 mm x 18 mm x 68.7 mm
Design	Cylindrical
Sending axis	Angled
Housing material	Plastic (PBT, ultrasonic transducer: polyurethane foam, glass epoxy resin)
Weight	20 g
Thread size	M18 x 1
Connection type	Male connector, M12, 4-pin

## AMBIENT DATA

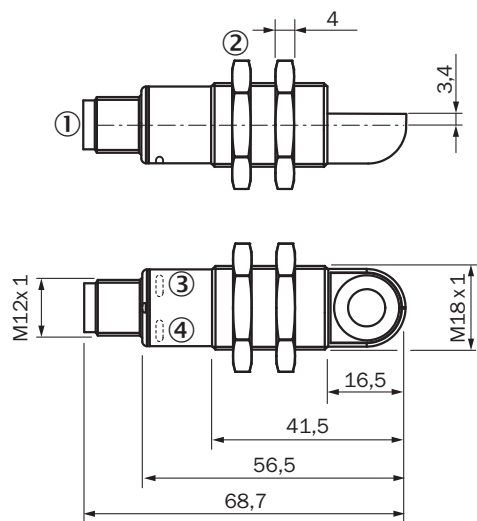
Ambient temperature, operation	-25 °C ... +70 °C
Ambient temperature, storage	-40 °C ... +85 °C
Temperature drift	0.17 % / K <sup>1)</sup>

<sup>1)</sup> Referring to current measurement value.

## CERTIFICATES

EU declaration of conformity	✓
UK declaration of conformity	✓
ACMA declaration of conformity	✓
Moroccan declaration of conformity	✓
China RoHS	✓
China Compulsory Product Certification (CCC) exempt	✓
cULus certificate	✓

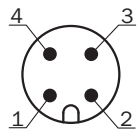
**DIMENSIONAL DRAWING UM18-2XXXXXX2**



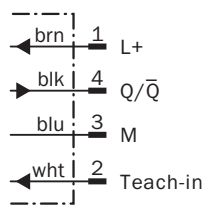
Dimensions in mm (inch)

- ① Connection
- ② Fixing nuts, width 24 mm
- ③ Status display for supply voltage active (green)
- ④ Status indicator switching/analog output (orange)

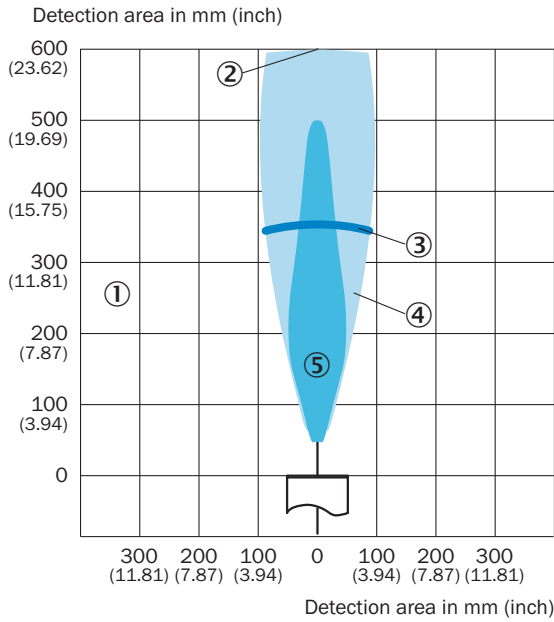
**CONNECTION TYPE**



**CONNECTION DIAGRAM**



**DETECTION AREA UM18-212**



- ① Detection range dependent on reflection properties, size, and alignment of the object
- ② Limiting range
- ③ operating range
- ④ example object: aligned plate 500 mm x 500 mm
- ⑤ example object: pipe with 27 mm diameter

Further information as well as suitable accessories, example applications and downloads such as CAD dimensional models, operating instructions and software can be found at [www.sick.com/6048417](http://www.sick.com/6048417)



SICK AG  
WALDKIRCH  
GERMANY  
SICK.COM

# SICK AT A GLANCE

SICK is a leading global technology company for intelligent sensors and integrated solutions in industrial automation. Our technologies set benchmarks, making your industrial processes more efficient, safer and more sustainable – both in logistics and manufacturing operations.

SICK combines sensor intelligence with industry expertise and certified consulting services. We provide the ideal foundation for scalable as well as tailor-made automation solutions and create added value along the entire value chain. Our close partnerships with our customers are more than just a promise: Together, we optimize productivity, improve quality, protect health and safety, and help build a sustainable future. All with empathy and trust.

Since 1946, we have been developing innovative technologies with passion and a pioneering spirit. With a global network in around 40 countries, SICK has a global presence and is always close by. The company's headquarters are located in Waldkirch near Freiburg, Germany. Our customers benefit from our understanding of both local and global requirements, which enables us to deliver tailor-made solutions

**SICK**  
Sensor Intelligence