

SICK.COM

The SICK logo is displayed in a bold, blue, sans-serif font. It is centered within a white rectangular box that is set against a light gray background.

DATA SHEET

DFS2x adapter

Interface modules
Integration modules and adapters

The SICK logo is shown in a large, bold, blue, sans-serif font. To its right, the words "Sensor Intelligence" are written in a smaller, blue, sans-serif font.

INTEGRATION MODULES AND ADAPTERS

DFS2x adapter



ORDERING INFORMATION

Type	part no.
DFS2x adapter	7102409

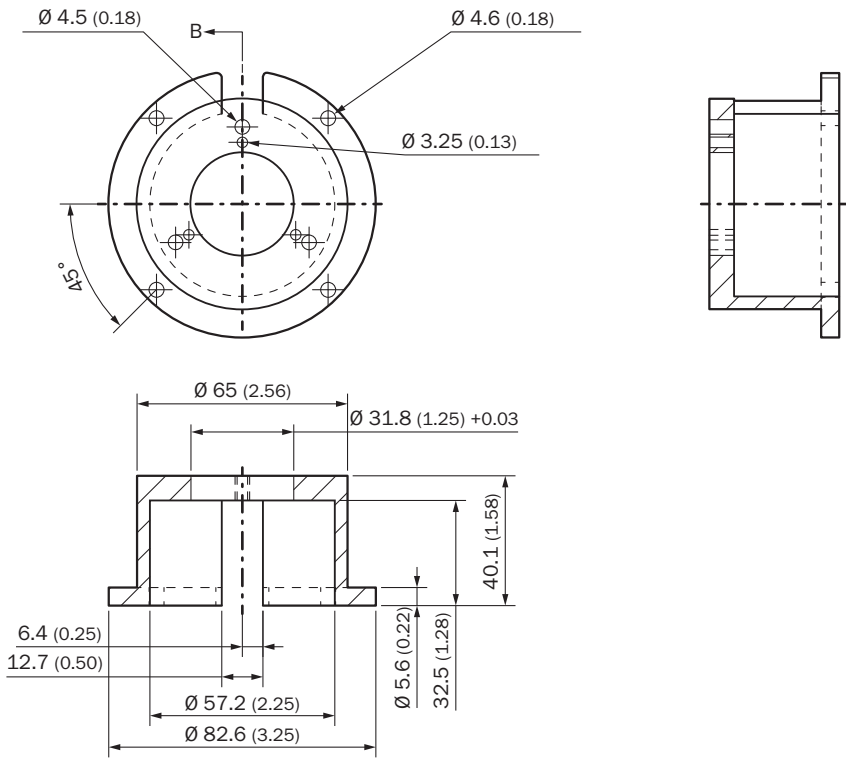
Further device versions and accessories at www.sick.com/Interface_modules

DETAILED TECHNICAL DATA

FEATURES

Product segment	Integration modules and adapters
Product	Interface modules
Description	DFS2x adapter

DIMENSIONAL DRAWING



Dimensions in mm (inch)

Further information as well as suitable accessories, example applications and downloads such as CAD dimensional models, operating instructions and software can be found at www.sick.com/7102409



SICK AG
WALDKIRCH
GERMANY
SICK.COM

SICK AT A GLANCE

SICK is a leading global technology company for intelligent sensors and integrated solutions in industrial automation. Our technologies set benchmarks, making your industrial processes more efficient, safer and more sustainable – both in logistics and manufacturing operations.

SICK combines sensor intelligence with industry expertise and certified consulting services. We provide the ideal foundation for scalable as well as tailor-made automation solutions and create added value along the entire value chain. Our close partnerships with our customers are more than just a promise: Together, we optimize productivity, improve quality, protect health and safety, and help build a sustainable future. All with empathy and trust.

Since 1946, we have been developing innovative technologies with passion and a pioneering spirit. With a global network in around 40 countries, SICK has a global presence and is always close by. The company's headquarters are located in Waldkirch near Freiburg, Germany. Our customers benefit from our understanding of both local and global requirements, which enables us to deliver tailor-made solutions

SICK
Sensor Intelligence