

FSR Controller

Power supply units

POWER SUPPLY UNITS AND POWER SUPPLY CABLES

SICK
Sensor Intelligence.

Ordering information

Type	part no.
FSR Controller	7027922

Other models and accessories → www.sick.com/Power_supply_units

Detailed technical data

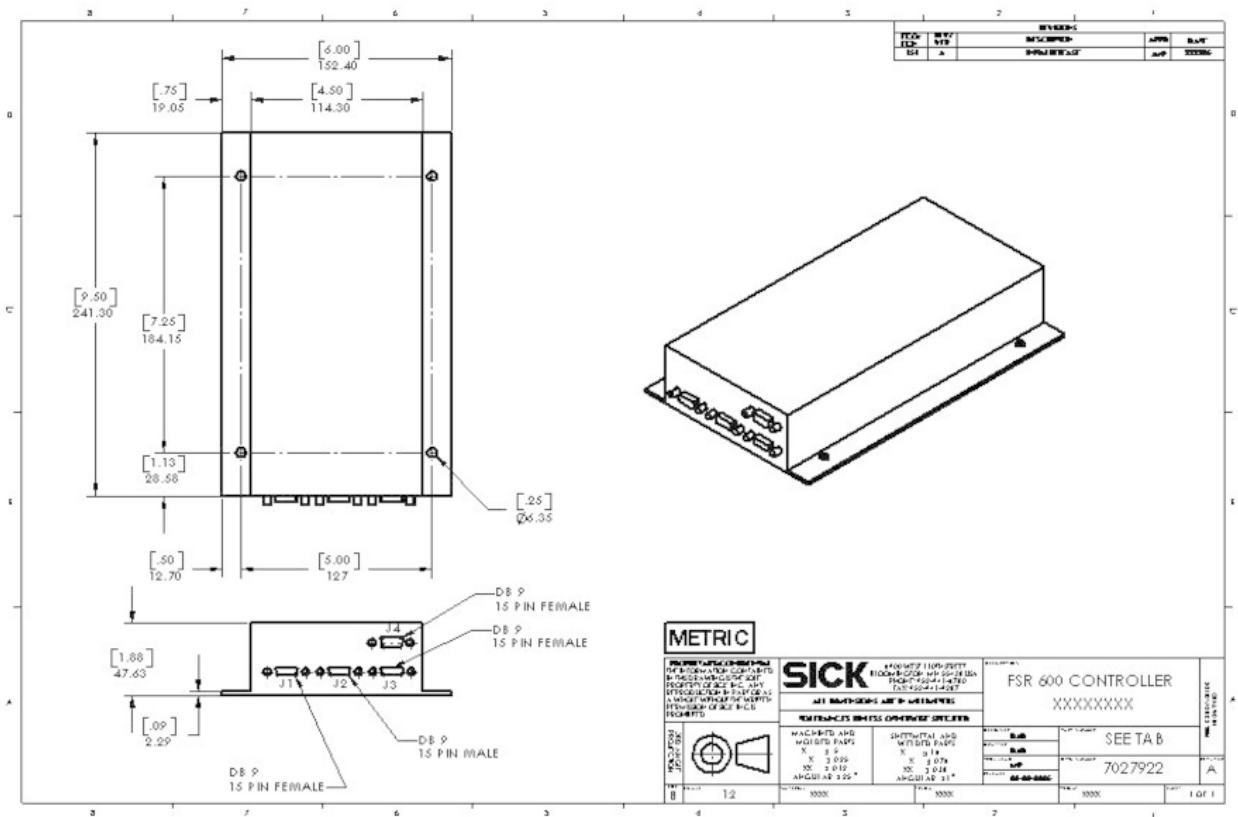
Features

Accessory group	Power supply units
Description	FSR controller

Classifications

ECLASS 5.0	27040301
ECLASS 5.1.4	27040301
ECLASS 6.0	27242611
ECLASS 6.2	27242611
ECLASS 7.0	27040301
ECLASS 8.0	27040301
ECLASS 8.1	27040301
ECLASS 9.0	27040301
ECLASS 10.0	27040301
ECLASS 11.0	27040301
ECLASS 12.0	27040301
ETIM 5.0	EC002542
ETIM 6.0	EC002542
ETIM 7.0	EC002542
ETIM 8.0	EC002542
UNSPSC 16.0901	39121004

Dimensional drawing



Dimensions in mm (inch)

SICK AT A GLANCE

SICK is one of the leading manufacturers of intelligent sensors and sensor solutions for industrial applications. A unique range of products and services creates the perfect basis for controlling processes securely and efficiently, protecting individuals from accidents and preventing damage to the environment.

We have extensive experience in a wide range of industries and understand their processes and requirements. With intelligent sensors, we can deliver exactly what our customers need. In application centers in Europe, Asia and North America, system solutions are tested and optimized in accordance with customer specifications. All this makes us a reliable supplier and development partner.

Comprehensive services complete our offering: SICK LifeTime Services provide support throughout the machine life cycle and ensure safety and productivity.

For us, that is “Sensor Intelligence.”

WORLDWIDE PRESENCE:

Contacts and other locations –www.sick.com