



TCT-2AASE1006MZ

TCT

TEMPERATURE SENSORS

SICK
Sensor Intelligence.



Illustration may differ



Ordering information

| Type | part no. |
|-----------------|----------|
| TCT-2AASE1006MZ | 6083628 |

Other models and accessories → www.sick.com/TCT

Detailed technical data

Features

| | |
|--|--|
| Measuring range | -50 °C ... +150 °C |
| Sensor element | Pt1000 |
| Output signal | 4 mA ... 20 mA, 2-wire |
| Maximum ohmic load R_A | $R_A \leq (L^+ - 9 V) / 0.023 A$ [Ohm] |

Mechanics/electronics

| | |
|---|--|
| Communication interface | - |
| Process connection | Compression fitting G 1/2 B, stainless steel ferrule |
| Seal | Without seal |
| Insertion length/diameter of probe | 100 mm / 6 mm |
| Wetted parts | Stainless steel 1.4571 |
| Maximum process pressure | $\leq 100 \text{ bar}^{1)}$ |
| Pressure resistance | Max. 100 bar with supplied compression fitting with stainless steel ferrule |
| Housing material | Stainless steel 1.4571 |
| Connection type | M12 round connector x 1, 4-pin ²⁾ |
| Enclosure rating | IP67 ³⁾ |
| Measuring current | 0.3 mA ... 1 mA |
| Supply voltage | 10 V DC ... 35 V DC |
| Maximum current consumption | Approx. 30 mA |
| Electrical safety | Protection class: III, dielectric strength: 500 V AC, Reverse polarity protection: L ⁺ to M |
| Protection class III | ✓ |
| Weight | Ca. 145 g (depending on configuration) |
| Initialization time | < 10 ms |

¹⁾ Pressure resistance at room temperature.

²⁾ The enclosure rating classes specified only apply while the thermometer is connected with female connectors that provide the corresponding enclosure rating.

³⁾ IP enclosure rating as per IEC 60529.

Performance

| | |
|-----------------------------------|--|
| Accuracy of sensor element | Class A according to IEC 60751 |
| Transmitter accuracy | $\leq \pm 0.2 \%$ of span |
| Transmitter linearity | $\leq 0.1 \%$ of span |
| Response time | $t_{50} \leq 2.8 \text{ s}^{1)}$ $t_{90} \leq 9.1 \text{ s}^{1)}$ |

¹⁾ Depending on sensor configuration, according to IEC 60751.

Ambient data

| | |
|--|-------------------|
| Ambient temperature | -40 °C ... +85 °C |
| Storage and transport temperature | -40 °C ... +85 °C |
| Shock resistance | 500 g (IEC 60751) |
| Vibration resistance according to IEC 60751 | 3 g |

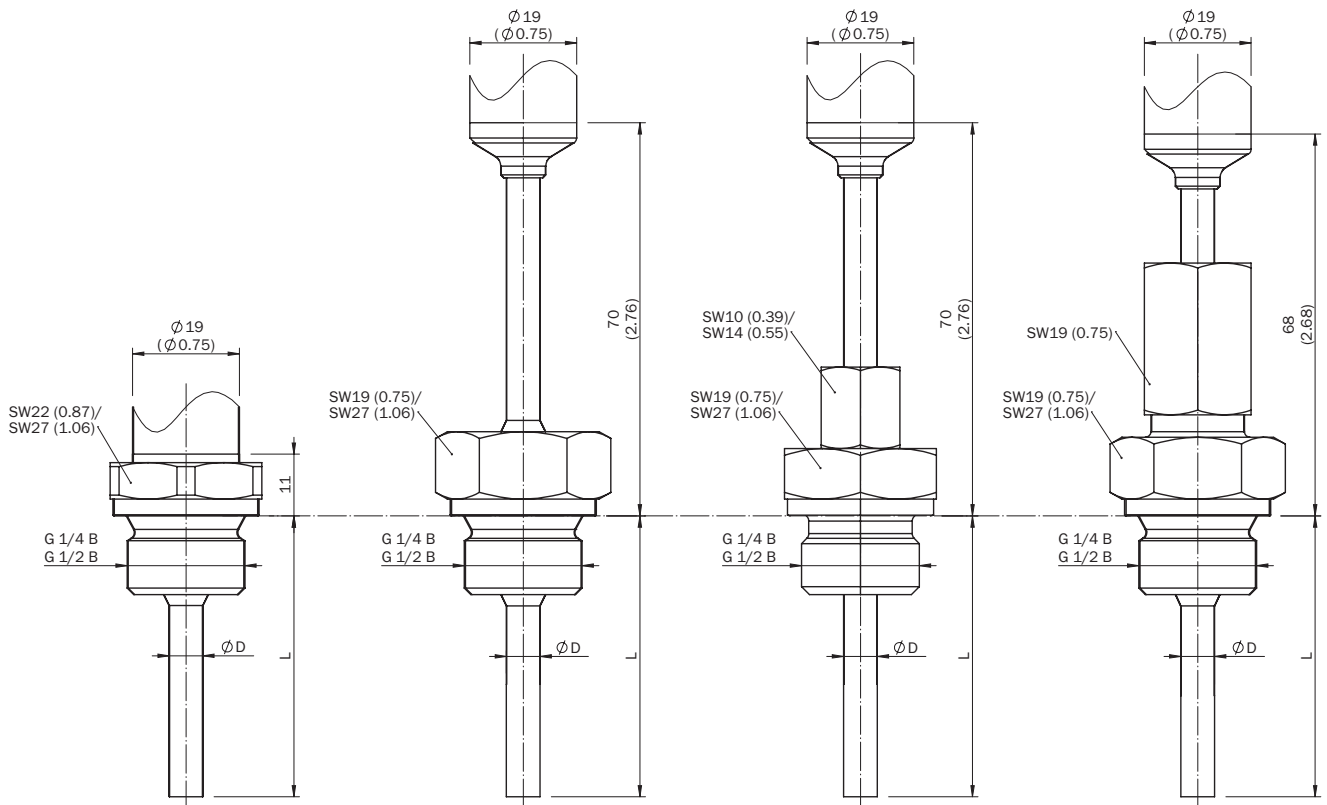
Certificates

| | |
|-------------------------------------|---|
| EU declaration of conformity | ✓ |
| UK declaration of conformity | ✓ |
| China RoHS | ✓ |

Classifications

| | |
|-----------------------|----------|
| ECLASS 5.0 | 27200208 |
| ECLASS 5.1.4 | 27200208 |
| ECLASS 6.0 | 27200208 |
| ECLASS 6.2 | 27200208 |
| ECLASS 7.0 | 27200208 |
| ECLASS 8.0 | 27200208 |
| ECLASS 8.1 | 27200208 |
| ECLASS 9.0 | 27200208 |
| ECLASS 10.0 | 27200208 |
| ECLASS 11.0 | 27200208 |
| ECLASS 12.0 | 27200208 |
| ETIM 5.0 | EC002994 |
| ETIM 6.0 | EC002994 |
| ETIM 7.0 | EC002994 |
| ETIM 8.0 | EC002994 |
| UNSPSC 16.0901 | 41112211 |

Dimensional drawing: cylindrical threads



Process connections, cylindrical thread

Threaded connection
up to 150 °C

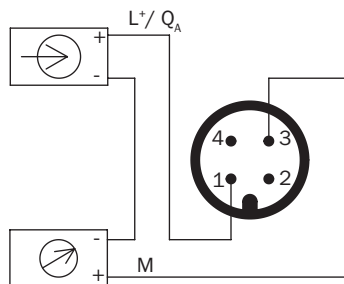
Threaded connection
up to 250 °C

Threaded connection and
clamping connection

Threaded connection and
protective pipe with thread

Dimensions in mm (inch)
TCT-2

Connection type Plug M12 x 1, output signal 4 mA ... 20 mA



SICK AT A GLANCE

SICK is one of the leading manufacturers of intelligent sensors and sensor solutions for industrial applications. A unique range of products and services creates the perfect basis for controlling processes securely and efficiently, protecting individuals from accidents and preventing damage to the environment.

We have extensive experience in a wide range of industries and understand their processes and requirements. With intelligent sensors, we can deliver exactly what our customers need. In application centers in Europe, Asia and North America, system solutions are tested and optimized in accordance with customer specifications. All this makes us a reliable supplier and development partner.

Comprehensive services complete our offering: SICK LifeTime Services provide support throughout the machine life cycle and ensure safety and productivity.

For us, that is “Sensor Intelligence.”

WORLDWIDE PRESENCE:

Contacts and other locations –www.sick.com