



OD7000-11001032

OD7000

DISPLACEMENT SENSORS

SICK
Sensor Intelligence.



Ordering information

Type	part no.
OD7000-11001032	6079492

Other models and accessories → www.sick.com/OD7000



Detailed technical data

Features

Measuring range	64 mm ... 74 mm
Measuring range	10 mm
Resolution	Axial 0.4 µm Lateral 16 µm
Linearity	± 4 µm
Number of measuring channels	1
Measuring frequency	≤ 10 kHz
Emitted beam	
Light source	LED
Special task	Coating thickness measurement
LED risk group	Risk group 1 IEC 62471

Interfaces

Serial	✓ , RS-232, RS-422
Data transmission rate	RS-232: max. 1.8 MBaud, RS-422: max. 10 MBaud
Ethernet	✓ , TCP/IP
Data transmission rate	100 Mbit/s
Digital output	
Number	0

Electronics

Supply voltage U_B	DC 24 V, ± 10 % ¹⁾
Power consumption	4 W
Warm-up time	30 min
Display	3 status LEDs
Enclosure rating	IP20 (IEC 60529)
Protection class	III (IEC 61140)
Electrical safety	IEC 61010

¹⁾ With separate power supply unit: AC 100 V ... 240 V, 50 Hz ... 60 Hz.

Connection type	Ethernet	Female connector, RJ-45
	Interface A	Terminal strip, 9-pin

¹⁾ With separate power supply unit: AC 100 V ... 240 V, 50 Hz ... 60 Hz.

Mechanics

Dimensions (W x H x D)	95 mm x 106 mm x 95 mm
Weight	500 g
Optical fiber length	3 m

Ambient data

Ambient temperature, operation	0 °C ... +50 °C
Ambient temperature, storage	-20 °C ... +70 °C
Relative air humidity (non-condensing)	30 % ... 75 %
Electromagnetic compatibility (EMC)	Radiated emission: EN 61326-1

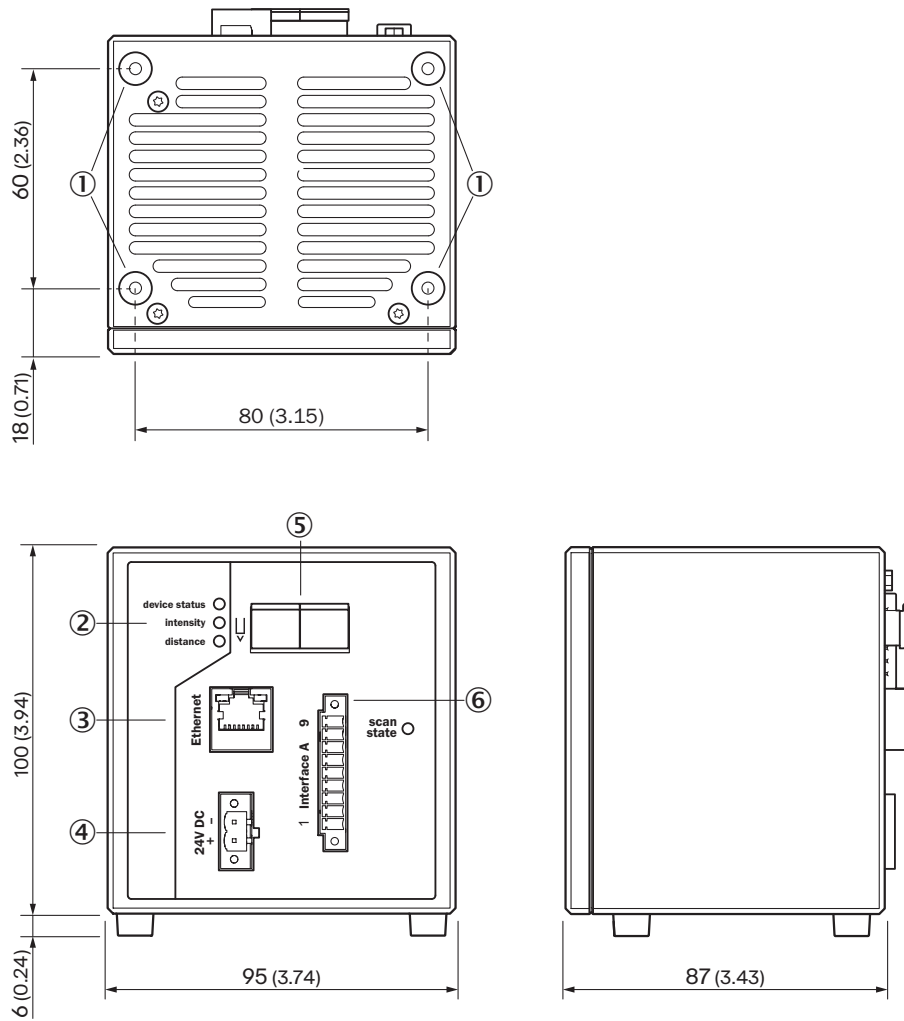
Certificates

EU declaration of conformity	✓
UK declaration of conformity	✓
ACMA declaration of conformity	✓
Moroccan declaration of conformity	✓
Information according to Art. 3 of Data Act (Regulation EU 2023/2854)	✓

Classifications

ECLASS 5.0	27270801
ECLASS 5.1.4	27270801
ECLASS 6.0	27270801
ECLASS 6.2	27270801
ECLASS 7.0	27270801
ECLASS 8.0	27270801
ECLASS 8.1	27270801
ECLASS 9.0	27270801
ECLASS 10.0	27270801
ECLASS 11.0	27270801
ECLASS 12.0	27270916
ETIM 5.0	EC001825
ETIM 6.0	EC001825
ETIM 7.0	EC001825
ETIM 8.0	EC001825
UNSPSC 16.0901	41111613

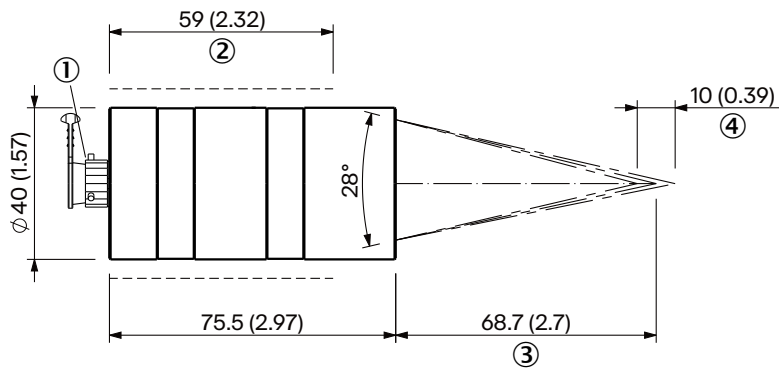
dimensional drawing, control unit



Dimensions in mm (inch)

- ① M4 threaded mounting hole
- ② status LEDs
- ③ Ethernet connection
- ④ Connecting the voltage supply
- ⑤ Optical fiber connection
- ⑥ Terminal strip interface A (serial interface RS422 / RS232, trigger)

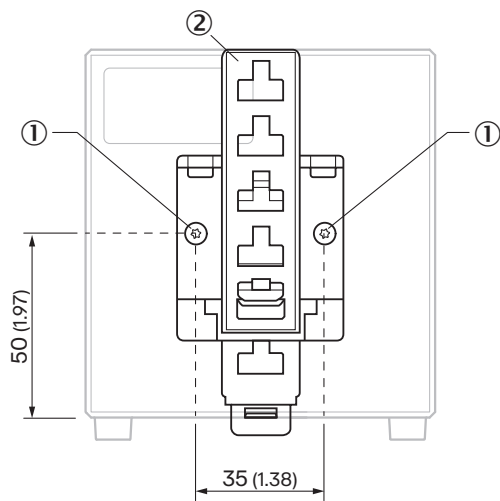
dimensional drawing, sensor head



Dimensions in mm (inch)

- ① Optical fiber connection
- ② recommended clamping range
- ③ Average measuring distance (typical)
- ④ measuring range

Assembly note



- ① Threaded mounting hole M3
- ② Mounting rail adapter

Recommended accessories

Other models and accessories → www.sick.com/OD7000

	Brief description	Type	part no.
connectors and cables			
	<ul style="list-style-type: none"> • Connection type head A: Male connector • Connection type head B: Male connector 	FOC03-AM1N	2145018
	<ul style="list-style-type: none"> • Connection type head A: Male connector • Connection type head B: Male connector 	FOC10-AM1N	2145019

SICK AT A GLANCE

SICK is one of the leading manufacturers of intelligent sensors and sensor solutions for industrial applications. A unique range of products and services creates the perfect basis for controlling processes securely and efficiently, protecting individuals from accidents and preventing damage to the environment.

We have extensive experience in a wide range of industries and understand their processes and requirements. With intelligent sensors, we can deliver exactly what our customers need. In application centers in Europe, Asia and North America, system solutions are tested and optimized in accordance with customer specifications. All this makes us a reliable supplier and development partner.

Comprehensive services complete our offering: SICK LifeTime Services provide support throughout the machine life cycle and ensure safety and productivity.

For us, that is “Sensor Intelligence.”

WORLDWIDE PRESENCE:

Contacts and other locations –www.sick.com