



OD7000-10061031

OD7000

DISPLACEMENT MEASUREMENT SENSORS

SICK
Sensor Intelligence.



Ordering information

Type	part no.
OD7000-10061031	6079486

Other models and accessories → www.sick.com/OD7000



Detailed technical data

Features

Measuring range	6.2 mm ... 6.8 mm
Measuring range	0.6 mm
Resolution	Axial 0.025 µm Lateral 2 µm
Linearity	± 0.198 µm
Number of measuring channels	1
Measuring frequency	≤ 10 kHz
Emitted beam	
	Light source LED
Special task	Coating thickness measurement
LED risk group	Risk group 1 IEC 62471

Interfaces

Serial	RS-232, RS-422
	Data transmission rate RS-232: max. 1.8 MBaud, RS-422: max. 10 MBaud
Ethernet	TCP/IP
	Data transmission rate 100 Mbit/s
Digital input	2
Digital output	
	Number 2
Analog output	
	Number 2
	Type Current output / voltage output
	Current -10 mA ... 10 mA
	Voltage -10 V ... 10 V
Trigger input	1
Trigger output	1
Encoder input	3

Electronics

Supply voltage U_B	DC 24 V, $\pm 10\%$ ¹⁾
Power consumption	4 W
Warm-up time	30 min
Display	4 status LEDs
Enclosure rating	IP20 (IEC 60529)
Protection class	III (IEC 61140)
Electrical safety	IEC 61010
Connection type	
Ethernet	Female connector, RJ-45
Interface A	Terminal strip, 9-pin
Interface B	Terminal strip, 8-pin
Encoders	D-SUB plug, 15-pin

¹⁾ With separate power supply unit: AC 100 V ... 240 V, 50 Hz ... 60 Hz.

Mechanics

Dimensions (W x H x D)	95 mm x 106 mm x 95 mm
Weight	550 g
Optical fiber length	3 m

Ambient data

Ambient temperature, operation	0 °C ... +50 °C
Ambient temperature, storage	-20 °C ... +70 °C
Relative air humidity (non-condensing)	30 % ... 75 %
Electromagnetic compatibility (EMC)	Radiated emission: EN 61326-1

Certificates

EU declaration of conformity	✓
UK declaration of conformity	✓
ACMA declaration of conformity	✓
Moroccan declaration of conformity	✓
Information according to Art. 3 of Data Act (Regulation EU 2023/2854)	✓

Classifications

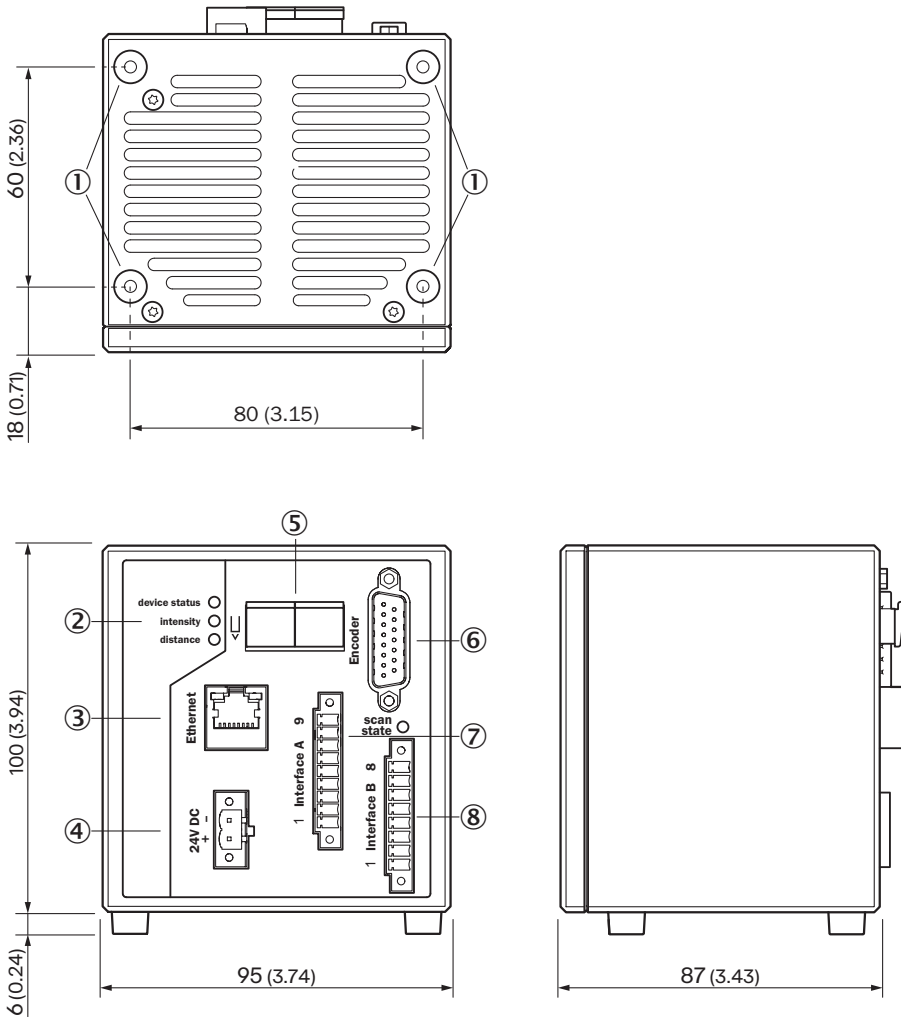
ECLASS 5.0	27270801
ECLASS 5.1.4	27270801
ECLASS 6.0	27270801
ECLASS 6.2	27270801
ECLASS 7.0	27270801
ECLASS 8.0	27270801
ECLASS 8.1	27270801
ECLASS 9.0	27270801
ECLASS 10.0	27270801

OD7000-10061031 | OD7000

DISPLACEMENT MEASUREMENT SENSORS

ECLASS 11.0	27270801
ECLASS 12.0	27270916
ETIM 5.0	EC001825
ETIM 6.0	EC001825
ETIM 7.0	EC001825
ETIM 8.0	EC001825
UNSPSC 16.0901	41111613

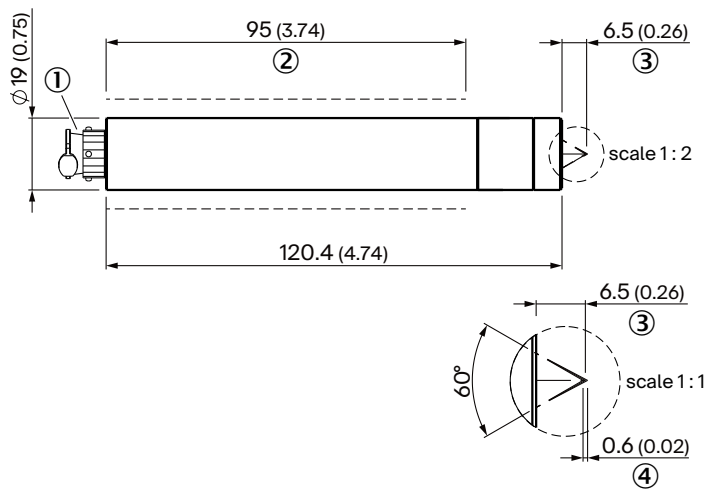
dimensional drawing, control unit



Dimensions in mm (inch)

- ① M4 threaded mounting hole
- ② status LEDs
- ③ Ethernet connection
- ④ Connecting the voltage supply
- ⑤ Optical fiber connection
- ⑥ Encoder connection
- ⑦ Terminal strip interface A (serial interface RS422 / RS232, trigger)
- ⑧ Connection strip interface B (analog outputs, digital inputs, digital outputs)

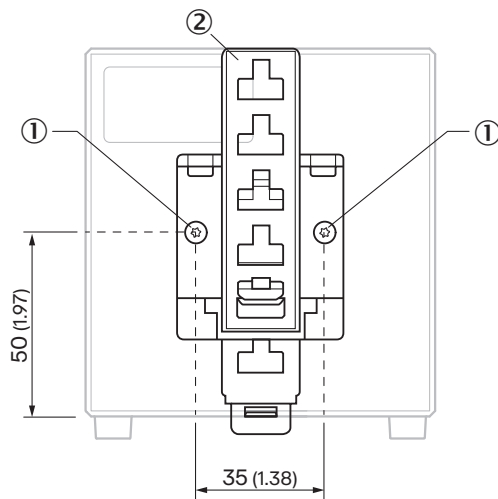
dimensional drawing, sensor head



Dimensions in mm (inch)

- ① Optical fiber connection
- ② recommended clamping range
- ③ Average measuring distance (typical)
- ④ measuring range


Assembly note



- ① Threaded mounting hole M3
- ② Mounting rail adapter

Recommended accessories

Other models and accessories → www.sick.com/OD7000

	Brief description	Type	part no.
connectors and cables			
	<ul style="list-style-type: none"> • Connection type head A: Female connector, M12, 8-pin • Connection type head B: Female connector, D-Sub, 15-pin • Signal type: Sensor/actuator cable • Cable: 0.46 m, 6-wire, PVC • Description: Sensor/actuator cable, shielded 	YF2A26-C50S01FDSB6	2141182
	<ul style="list-style-type: none"> • Connection type head A: Male connector • Connection type head B: Male connector 	FOC03-AM1N	2145018
	<ul style="list-style-type: none"> • Connection type head A: Male connector • Connection type head B: Male connector 	FOC10-AM1N	2145019

SICK AT A GLANCE

SICK is one of the leading manufacturers of intelligent sensors and sensor solutions for industrial applications. A unique range of products and services creates the perfect basis for controlling processes securely and efficiently, protecting individuals from accidents and preventing damage to the environment.

We have extensive experience in a wide range of industries and understand their processes and requirements. With intelligent sensors, we can deliver exactly what our customers need. In application centers in Europe, Asia and North America, system solutions are tested and optimized in accordance with customer specifications. All this makes us a reliable supplier and development partner.

Comprehensive services complete our offering: SICK LifeTime Services provide support throughout the machine life cycle and ensure safety and productivity.

For us, that is “Sensor Intelligence.”

WORLDWIDE PRESENCE:

Contacts and other locations –www.sick.com