



# FCA-BZZ2A1A1

Interface modules

INTEGRATION MODULES AND ADAPTERS

**SICK**  
Sensor Intelligence.



### Ordering information

Type	part no.
FCA-BZZ2A1A1	6073036

Other models and accessories → [www.sick.com/Interface\\_modules](http://www.sick.com/Interface_modules)



### Detailed technical data

#### Features

<b>Product segment</b>	Integration modules and adapters
<b>Product</b>	Interface modules
<b>Description</b>	FlexChain Booster
<b>Ambient operating temperature</b>	-25 °C ... +55 °C
<b>Storage temperature</b>	-40 °C ... +80 °C
<b>Dimensions (W x H x L)</b>	37.4 mm x 13 mm x 60.4 mm

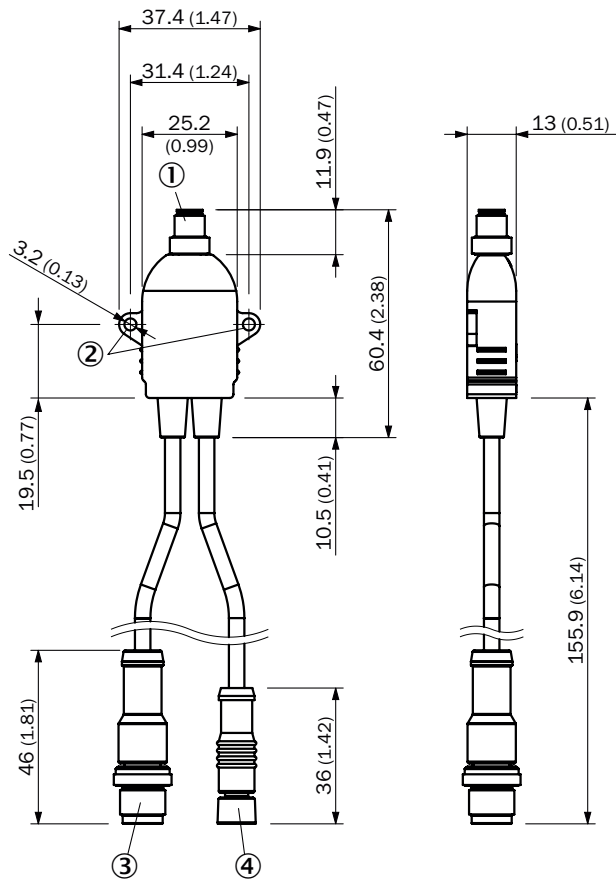
#### Classifications

<b>ECLASS 5.0</b>	19030312
<b>ECLASS 5.1.4</b>	19030312
<b>ECLASS 6.0</b>	27060304
<b>ECLASS 6.2</b>	27060304
<b>ECLASS 7.0</b>	27060304
<b>ECLASS 8.0</b>	27060304
<b>ECLASS 8.1</b>	27060304
<b>ECLASS 9.0</b>	27060304
<b>ECLASS 10.0</b>	27060304
<b>ECLASS 11.0</b>	27060304
<b>ETIM 5.0</b>	EC000830
<b>ETIM 6.0</b>	EC000830
<b>ETIM 7.0</b>	EC003249
<b>ETIM 8.0</b>	EC003249
<b>UNSPSC 16.0901</b>	26121604

#### Certificates

<b>EU declaration of conformity</b>	✓
<b>UK declaration of conformity</b>	✓
<b>ACMA declaration of conformity</b>	✓
<b>China RoHS</b>	✓
<b>cULus certificate</b>	✓

### Dimensional drawing



Dimensions in mm (inch)

- ① male connector M8, 4-pin
- ② Mounting hole,  $\varnothing$  3.2 mm
- ③ Cable with M12 male connector, 4-pin
- ④ Cable with female connector, M8, 4-pin

## SICK AT A GLANCE

SICK is one of the leading manufacturers of intelligent sensors and sensor solutions for industrial applications. A unique range of products and services creates the perfect basis for controlling processes securely and efficiently, protecting individuals from accidents and preventing damage to the environment.

We have extensive experience in a wide range of industries and understand their processes and requirements. With intelligent sensors, we can deliver exactly what our customers need. In application centers in Europe, Asia and North America, system solutions are tested and optimized in accordance with customer specifications. All this makes us a reliable supplier and development partner.

Comprehensive services complete our offering: SICK LifeTime Services provide support throughout the machine life cycle and ensure safety and productivity.

For us, that is “Sensor Intelligence.”

## WORLDWIDE PRESENCE:

Contacts and other locations –[www.sick.com](http://www.sick.com)