



# PBSH-RB025SD3S0BMA0Z

PBS Hygienic

PRESSURE SENSORS

**SICK**  
Sensor Intelligence.



Illustration may differ



### Ordering information

Type	part no.
PBSH-RB025SD3S0BMA0Z	6070377

Other models and accessories → [www.sick.com/PBS\\_Hygienic](http://www.sick.com/PBS_Hygienic)

### Detailed technical data

#### Features

<b>Medium</b>	Liquid, gaseous
<b>Pressure type</b>	Gauge pressure
<b>Pressure unit</b>	bar
<b>Measuring range</b>	0 bar ... 25 bar
<b>Overpressure safety</b>	2-fold
<b>Process temperature</b>	-20 °C ... +100 °C <sup>1)</sup>
<b>Maximum ohmic load R<sub>A</sub></b>	≤ 0.5 kΩ, 4 mA ... 20 mA (R <sub>A</sub> ≤ 0.5 kΩhm) 0 V ... 10 V (R <sub>A</sub> > 10 kΩhm)
<b>Zero point adjustment</b>	Max. + 3 % of span
<b>Output signal</b>	1 x PNP + 4 mA ... 20 mA
<b>Rotatable housing</b>	Display against housing with electrical connection: 330 ° Housing against process connection: 320 °
<b>Display</b>	14-segment-LED, blue, 4-digits, height 9 mm, electronically turnable by 180 ° Accuracy: ≤ 1 % of span ± 1 digit Update: 1,000, 500, 200, 100 ms (adjustable)

<sup>1)</sup> +135 °C for max. 1 h.

#### Mechanics/electronics

<b>Communication interface</b>	-
<b>Process connection</b>	Clamp (DIN 32676) DN 32
<b>Wetted parts</b>	Process connection: 316L stainless steel
<b>Internal transmission fluid</b>	Medical white oil, FDA compliant according to CFR 172.878 and 21 CFR 178.3620(a), compliant to USP, EP, and JP
<b>Housing material</b>	Lower body: stainless steel 304, Plastic head: PC + ABS, Buttons: TPE-E, Display window: PC
<b>Connection type</b>	M12 round connector x 1, 4-pin
<b>Supply voltage</b>	15 V DC ... 35 V DC

<sup>1)</sup> Not for process connection G 1 hygienic.

<sup>2)</sup> Enclosure rating IP per IEC 60529. The enclosure rating classes specified only apply when connected with female connectors that provide the corresponding enclosure rating.

<b>Power consumption</b>	Max. 70 mA
<b>Total current consumption</b>	Max. 320 mA (incl. switching current)
<b>Electrical safety</b>	Protection class: III Overvoltage protection: 40 V DC Short-circuit protection: Q <sub>A</sub> , Q <sub>1</sub> , Q <sub>2</sub> towards M Reverse polarity protection: L <sup>+</sup> to M
<b>Isolation voltage</b>	500 V DC
<b>CE-conformity</b>	EMC directive: 2004/108/EC, EN 61326-2-3
<b>Seal</b>	Without seal <sup>1)</sup>
<b>Enclosure rating</b>	IP65 <sup>2)</sup> IP67 <sup>2)</sup>
<b>Protection class III</b>	✓

<sup>1)</sup> Not for process connection G 1 hygienic.

<sup>2)</sup> Enclosure rating IP per IEC 60529. The enclosure rating classes specified only apply when connected with female connectors that provide the corresponding enclosure rating.

### Performance

<b>Non-linearity</b>	≤ ± 0.5 %, of span (Best Fit Straight Line, BFSL) according to IEC 61298-2
<b>Accuracy</b>	≤ ± 1 %, of the span (including non-linearity, hysteresis, zero point and full scale error (corresponds to error of measurement as per IEC 61298-2))
<b>Setting accuracy of switching outputs</b>	≤ ± 0.5 % of span
<b>Response time</b>	3 ms
<b>Long-term drift/one-year stability</b>	≤ ± 0.2 % of span to IEC 61298-2
<b>Temperature coefficient in rated temperature range</b>	Typical TC of the zero point: In the temperature range 0 °C to 20 °C: 0.75% of span / 10 K. In the temperature range 20 °C to 80 °C: 0.45% of the span / 10 K. Typical TC of the span: In the temperature range 0 °C to 80 °C: 0.1% of the span / 10 K <sup>1)</sup>
<b>Rated temperature range</b>	0 °C ... +80 °C

<sup>1)</sup> With Clamp (DIN 32676) DN 32.

### Ambient data

<b>Ambient temperature, operation</b>	-20 °C ... +80 °C
<b>Storage temperature</b>	-20 °C ... +80 °C
<b>Relative humidity</b>	45 % ... 75 %
<b>Shock load</b>	50 g according to IEC 60068-2-27 (mechanical shock)
<b>Vibration load</b>	10 g according to IEC 60068-2-6 (vibration under resonance)

### Certificates

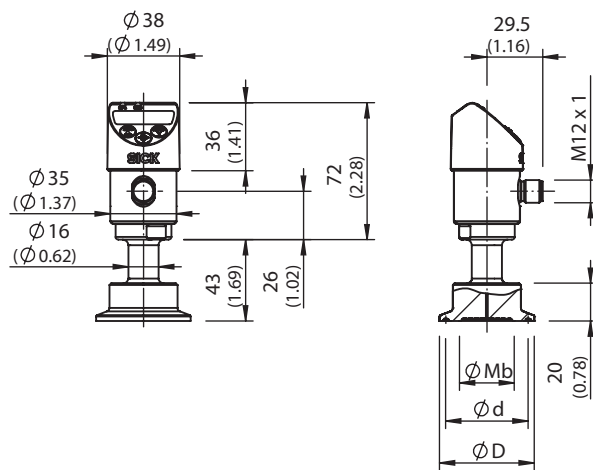
<b>EU declaration of conformity</b>	✓
<b>UK declaration of conformity</b>	✓
<b>China RoHS</b>	✓
<b>Food contact material manufacturer declaration</b>	✓

### Classifications

<b>ECLASS 5.0</b>	27200620
<b>ECLASS 5.1.4</b>	27200620
<b>ECLASS 6.0</b>	27200620

<b>ECLASS 6.2</b>	27200620
<b>ECLASS 7.0</b>	27200620
<b>ECLASS 8.0</b>	27200620
<b>ECLASS 8.1</b>	27200620
<b>ECLASS 9.0</b>	27200620
<b>ECLASS 10.0</b>	27200620
<b>ECLASS 11.0</b>	27200620
<b>ECLASS 12.0</b>	27200620
<b>ETIM 5.0</b>	EC000243
<b>ETIM 6.0</b>	EC000243
<b>ETIM 7.0</b>	EC000243
<b>ETIM 8.0</b>	EC000243
<b>UNSPSC 16.0901</b>	41112409

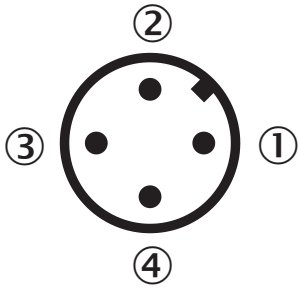
Dimensional drawing Clamp



DIN 32676	$\phi Mb$	$\phi d$	$\phi D$
DN 32	29.0 (1.14)	43.5 (1.71)	50.5 (1.98)
DIN 40	32.0 (1.25)	43.5 (1.71)	50.5 (1.98)
DIN 50	40.0 (1.57)	56.6 (2.22)	64.0 (2.51)

Dimensions in mm (inch)

Connection type M12 round connector x 1, 4-pin



- ① L<sup>+</sup>: Positive supply connection
- ② Q<sub>A</sub>: Analog output
- ③ M: Negative supply connection
- ④ C/Q<sub>1</sub>: Switching output 1 (with IO-Link: communication / switching output 1)

## SICK AT A GLANCE

SICK is one of the leading manufacturers of intelligent sensors and sensor solutions for industrial applications. A unique range of products and services creates the perfect basis for controlling processes securely and efficiently, protecting individuals from accidents and preventing damage to the environment.

We have extensive experience in a wide range of industries and understand their processes and requirements. With intelligent sensors, we can deliver exactly what our customers need. In application centers in Europe, Asia and North America, system solutions are tested and optimized in accordance with customer specifications. All this makes us a reliable supplier and development partner.

Comprehensive services complete our offering: SICK LifeTime Services provide support throughout the machine life cycle and ensure safety and productivity.

For us, that is “Sensor Intelligence.”

## WORLDWIDE PRESENCE:

Contacts and other locations –[www.sick.com](http://www.sick.com)