



WFM36-28P521S03

WFM

FORK SENSORS

SICK
Sensor Intelligence.

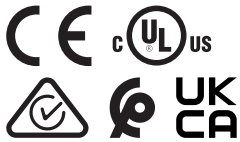


Ordering information

| Type | part no. |
|-----------------|----------|
| WFM36-28P521S03 | 6070062 |

Other models and accessories → www.sick.com/WFM

Illustration may differ



Detailed technical data

Features

| | |
|--|-----------------------------|
| Functional principle | Optical detection principle |
| Dimensions (W x H x D) | 67.5 mm x 60.8 mm x 45.5 mm |
| Fork width | 36 mm |
| Fork depth | 28 mm |
| Light source | LED, visible red light |
| Minimum detectable object (MDO) | 3.5 mm |
| Adjustment | None |

Electronics

| | |
|---|---|
| Supply voltage | 10 V DC ... 30 V DC |
| Ripple | < 10 % |
| Current consumption | < 20 mA ¹⁾ |
| Initialization time | 140 ms |
| Switching frequency | 4 kHz |
| Response time | ≤ 125 μs |
| Stability of response time | ± 15 μs |
| Switching output | PNP |
| Switching output (voltage) | PNP: HIGH = $V_S - \leq 1.5 \text{ V}$ / LOW = 0 V NPN: HIGH = approx. V_S / LOW ≤ 1.5 V |
| Switching mode | Dark switching |
| Output current $I_{max.}$ | 100 mA |
| Protection class | III ²⁾ |

¹⁾ Without load.

²⁾ Reference voltage DC 50 V.

| | |
|---------------------------|--|
| Circuit protection | U _V connections, reverse polarity protected Output Q short-circuit protected Interference pulse suppression |
| Connection type | Cable with MOLEX-connector, 4-pin, 10 cm |

¹⁾ Without load.

²⁾ Reference voltage DC 50 V.

Mechanics

| | |
|-------------------------|--------------------------------------|
| Housing material | Plastic |
| Weight | Approx. 80 g ... 190 g ¹⁾ |

¹⁾ Depending on fork width.

Ambient data

| | |
|--------------------------------------|---------------------------------|
| Ambient operating temperature | -30 °C ... +60 °C ¹⁾ |
| Ambient temperature, storage | -40 °C ... +80 °C |
| Ambient light immunity | ≤ 10,000 lx |
| Shock load | According to EN 60068-2-27 |
| Enclosure rating | IP67 |
| UL File No. | NRKH.E191603 & NRKH7.E191603 |

¹⁾ Do not bend below 0 °C.

Classifications

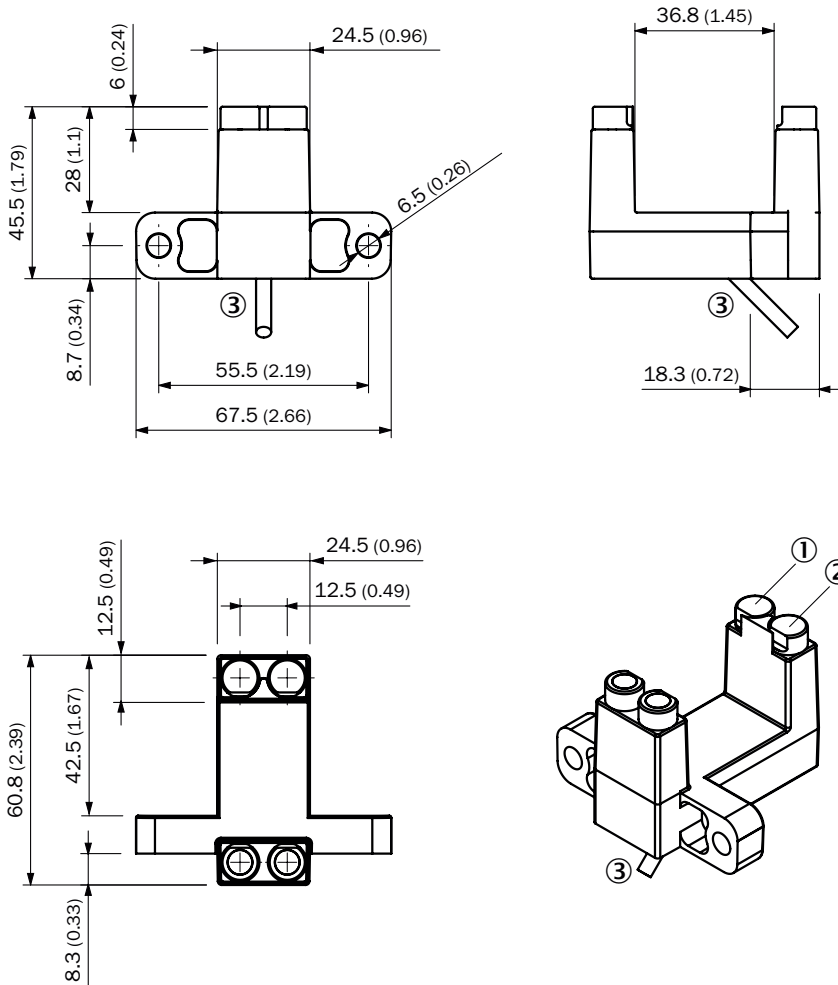
| | |
|-----------------------|----------|
| ECLASS 5.0 | 27270909 |
| ECLASS 5.1.4 | 27270909 |
| ECLASS 6.0 | 27270909 |
| ECLASS 6.2 | 27270909 |
| ECLASS 7.0 | 27270909 |
| ECLASS 8.0 | 27270909 |
| ECLASS 8.1 | 27270909 |
| ECLASS 9.0 | 27270909 |
| ECLASS 10.0 | 27270909 |
| ECLASS 11.0 | 27270909 |
| ECLASS 12.0 | 27270909 |
| ETIM 5.0 | EC002720 |
| ETIM 6.0 | EC002720 |
| ETIM 7.0 | EC002720 |
| ETIM 8.0 | EC002720 |
| UNSPSC 16.0901 | 39121528 |

Certificates

| | |
|---------------------------------------|---|
| EU declaration of conformity | ✓ |
| UK declaration of conformity | ✓ |
| ACMA declaration of conformity | ✓ |

| | |
|---------------------------------------|---|
| Moroccan declaration of conformity | ✓ |
| China RoHS | ✓ |
| cULus certificate | ✓ |
| Photobiological safety (IEC EN 62471) | ✓ |

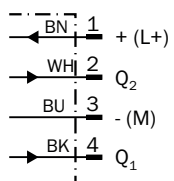
Dimensional drawing



Dimensions in mm (inch)

- ① Status LEDs output Q₁
- ② Status LEDs output Q₂
- ③ Connection

Connection diagram Cd-243



SICK AT A GLANCE

SICK is one of the leading manufacturers of intelligent sensors and sensor solutions for industrial applications. A unique range of products and services creates the perfect basis for controlling processes securely and efficiently, protecting individuals from accidents and preventing damage to the environment.

We have extensive experience in a wide range of industries and understand their processes and requirements. With intelligent sensors, we can deliver exactly what our customers need. In application centers in Europe, Asia and North America, system solutions are tested and optimized in accordance with customer specifications. All this makes us a reliable supplier and development partner.

Comprehensive services complete our offering: SICK LifeTime Services provide support throughout the machine life cycle and ensure safety and productivity.

For us, that is “Sensor Intelligence.”

WORLDWIDE PRESENCE:

Contacts and other locations –www.sick.com