



# FLG4-20025021

FLG

**AUTOMATION LIGHT GRIDS**

**SICK**  
Sensor Intelligence.



Illustration may differ



### Ordering information

Type	part no.
FLG4-20025021	6050069

Other models and accessories → [www.sick.com/FLG](http://www.sick.com/FLG)

### Detailed technical data

#### Features

<b>Device version</b>	Open
<b>Sensor principle</b>	Sender/receiver
<b>Minimum detectable object (MDO)</b>	2 mm, dynamic: 4 mm 6 mm, static: 6 mm
<b>Beam separation</b>	4 mm
<b>Detection height</b>	250 mm
<b>Output function</b>	Light/dark switching adjustable by means of rotary switch

#### Mechanics/electronics

<b>Wave length</b>	880 nm
<b>Supply voltage <math>V_s</math></b>	DC 18 V ... 30 V <sup>1)</sup>
<b>Ripple</b>	< 10 %
<b>Output current <math>I_{max}</math></b>	≤ 100 mA
<b>Off delay</b>	0 s ... 5 s <sup>2)</sup>
<b>Initialization time</b>	0.3 s
<b>Switching output</b>	PNP <sup>3)</sup> NPN
<b>Dimensions (W x H x D)</b>	312 mm x 230 mm x 25 mm
<b>Connection type</b>	Male connector M12, 4-pin
<b>Housing material</b>	Aluminum, painted
<b>Display</b>	LED
<b>Enclosure rating</b>	IP65

<sup>1)</sup> Limit values, reverse-polarity protected, operation in short-circuit protected network: max. 8 A.

<sup>2)</sup> Adjustable.

<sup>3)</sup> Q / Q̄.

<b>Circuit protection</b>	U <sub>V</sub> connections, reverse polarity protected Output Q short-circuit protected Interference pulse suppression
<b>Protection class</b>	III
<b>Weight</b>	0.86 kg
<b>Switching frequency</b>	5,000 Hz

<sup>1)</sup> Limit values, reverse-polarity protected, operation in short-circuit protected network: max. 8 A.

<sup>2)</sup> Adjustable.

<sup>3)</sup> Q /  $\bar{Q}$ .

## Performance

<b>Detection field (W x H)</b>	250 mm x 200 mm
<b>Response time</b>	< 0.1 ms

## Ambient data

<b>Shock resistance</b>	EN 60068-2-27
<b>Vibration resistance</b>	EN 60068-2-6
<b>EMC</b>	EN 60947-5-2
<b>Ambient light immunity</b>	Sunlight: 10,000 lx
<b>Ambient operating temperature</b>	0 °C ... +60 °C <sup>1)</sup>
<b>Ambient temperature, storage</b>	-20 °C ... +80 °C

<sup>1)</sup> In static mode: constant temperature around teaching point will be assumed.

## Classifications

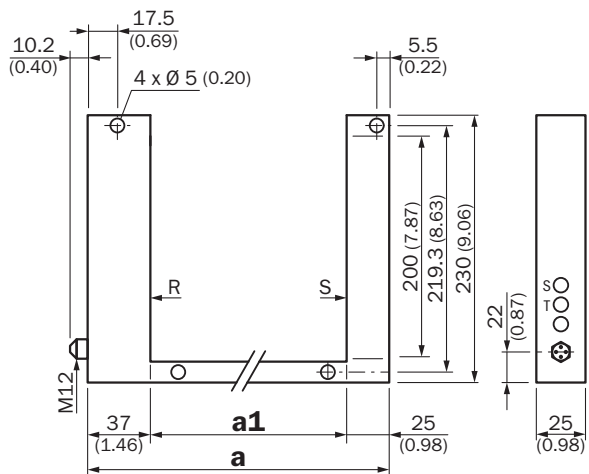
<b>ECLASS 5.0</b>	27270910
<b>ECLASS 5.1.4</b>	27270910
<b>ECLASS 6.0</b>	27270910
<b>ECLASS 6.2</b>	27270910
<b>ECLASS 7.0</b>	27270910
<b>ECLASS 8.0</b>	27270910
<b>ECLASS 8.1</b>	27270910
<b>ECLASS 9.0</b>	27270910
<b>ECLASS 10.0</b>	27270910
<b>ECLASS 11.0</b>	27270910
<b>ECLASS 12.0</b>	27270910
<b>ETIM 5.0</b>	EC002549
<b>ETIM 6.0</b>	EC002549
<b>ETIM 7.0</b>	EC002549
<b>ETIM 8.0</b>	EC002549
<b>UNSPSC 16.0901</b>	39121528

## Certificates

<b>EU declaration of conformity</b>	✓
<b>UK declaration of conformity</b>	✓
<b>ACMA declaration of conformity</b>	✓

Moroccan declaration of conformity	✓
China RoHS	✓

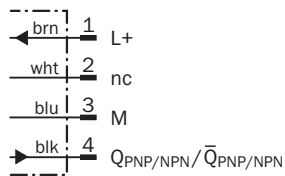
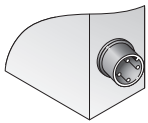
### Dimensional drawing FLGx-200xxx2x



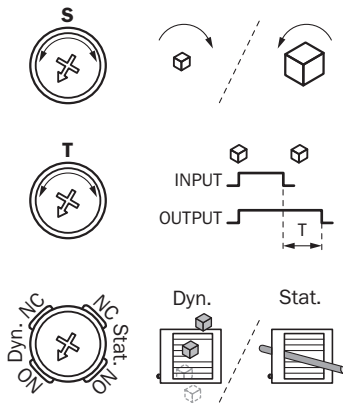
Dimensions in mm (inch)

	a	a1
<b>FLGx-200120xx</b>	182 (7.17)	120 (4.72)
<b>FLGx-200180xx</b>	242 (9.53)	180 (7.09)
<b>FLGx-200250xx</b>	312 (12.28)	250 (9.84)

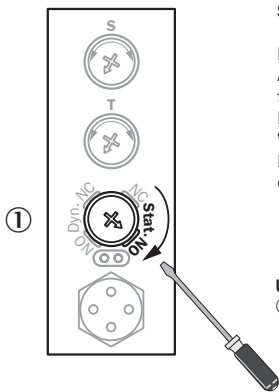
### Connection type and diagram



## Adjustments



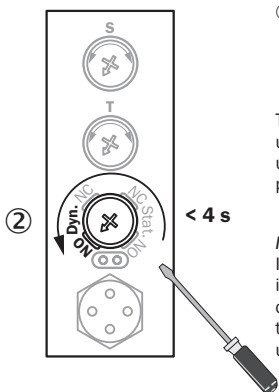
## Setting the key lock



### Setting key lock

**Locking:**  
After the last setting, the frame waits 15 minutes then locks the potentiometer. When the potentiometers are locked, the red LED flashes every time you turn any button.

**Unlocking:**  
① To unlock the potentiometers, turn the mode button on the "Stat. NO" position.

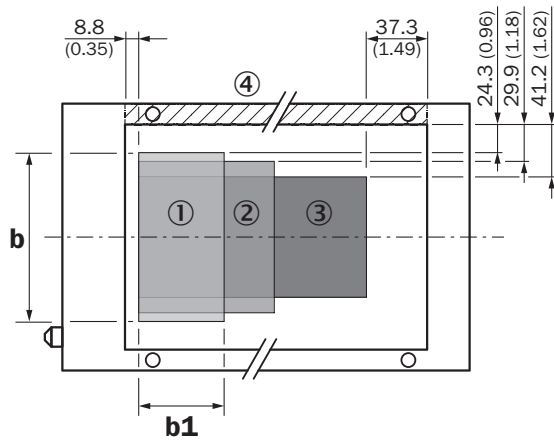


② Turn in less than 4 seconds, on the "Dyn. NO" position.

The potentiometers are then unlocked and the settings are updated with the current position of the potentiometers.

**Notice:**  
If the mode button is already in the "Stat. NO" position, change mode previously and then apply the standard unlocking procedure.

### Limited detection area



### Dimensions in mm (inch)


	<b>b</b>	<b>b1</b>
① FLG2-xxx120xx	151.4 (5.96)	73.9 (2.91)
② FLG2-xxx180xx	140.2 (5.52)	133.9 (5.27)
③ FLG2-xxx250xx	117.6 (4.63)	203.9 (8.03)

All dimensions in mm (inch)

④ Side is missing in open version

### Recommended accessories

Other models and accessories → [www.sick.com/FLG](http://www.sick.com/FLG)

	<b>Brief description</b>	<b>Type</b>	<b>part no.</b>
connectors and cables			
	<ul style="list-style-type: none"> <li>• <b>Connection type head A:</b> Female connector, M12, 4-pin, straight, A-coded</li> <li>• <b>Connection type head B:</b> Flying leads</li> <li>• <b>Signal type:</b> Sensor/actuator cable</li> <li>• <b>Cable:</b> 5 m, 4-wire, PVC</li> <li>• <b>Description:</b> Sensor/actuator cable, unshielded</li> <li>• <b>Application:</b> Uncontaminated zones, Zones with chemicals</li> </ul>	YF2A14-050VB3XLEAX	2096235

## SICK AT A GLANCE

SICK is one of the leading manufacturers of intelligent sensors and sensor solutions for industrial applications. A unique range of products and services creates the perfect basis for controlling processes securely and efficiently, protecting individuals from accidents and preventing damage to the environment.

We have extensive experience in a wide range of industries and understand their processes and requirements. With intelligent sensors, we can deliver exactly what our customers need. In application centers in Europe, Asia and North America, system solutions are tested and optimized in accordance with customer specifications. All this makes us a reliable supplier and development partner.

Comprehensive services complete our offering: SICK LifeTime Services provide support throughout the machine life cycle and ensure safety and productivity.

For us, that is “Sensor Intelligence.”

## WORLDWIDE PRESENCE:

Contacts and other locations –[www.sick.com](http://www.sick.com)