

DATA SHEET

YM2D24-030EB2MRJA4

Industrial Ethernet cables and fieldbus cables
Connectors and cables

SICK Sensor Intelligence

CONNECTORS AND CABLES

YM2D24-030EB2M-
RJA4

ORDERING INFORMATION

Type	part no.
YM2D24-030EB2MRJA4	6044400

Further device versions and accessories at www.sick.com/Industrial_Ethernet_cables_and_fieldbus_cables



DETAILED TECHNICAL DATA

TECHNICAL SPECIFICATIONS

Connection type head A	Male connector, M12, 4-pin, straight, D-coded
Connection type head B	Male connector, RJ45, 8-pin, straight
Tightening torque	0.4 Nm
Cable	3 m, 4-wire, AWG26, PUR, halogen-free
Jacket material	PUR, halogen-free
Jacket color	Green
Cable diameter	6.4 mm
Conductor cross section	0.14 mm ²
Shielding	Shielded
Bending radius	
	Flexible use > 8 x cable diameter
	Stationary position > 4 x cable diameter
Reference voltage	≤ 60 V
Current loading	4 A
Signal type	Ethernet
Transmission characteristics	CAT5
Data transmission rate	≤ 100 Mbit/s
Special feature	Twisted pair
Enclosure rating	IP67 (M12), IP20 (RJ45) ¹⁾
Operating temperature	
	Flexible use -20 °C ... +80 °C
	Stationary position -40 °C ... +80 °C

¹⁾ M12.

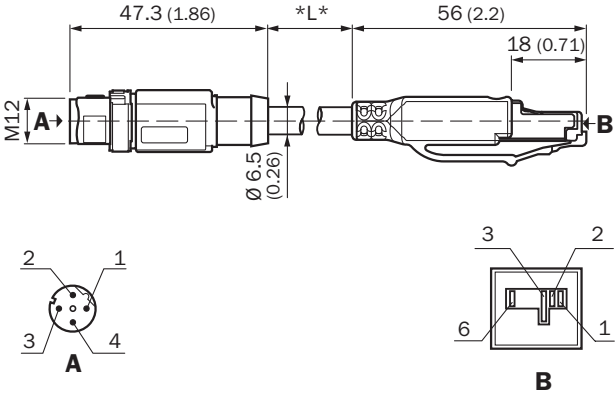
Head -25 °C ... +90 °C

¹⁾ M12.

CERTIFICATES

EU declaration of conformity	✓
UK declaration of conformity	✓
China RoHS	✓

DIMENSIONAL DRAWING



Dimensions in mm (inch)

Further information as well as suitable accessories, example applications and downloads such as CAD dimensional models, operating instructions and software can be found at www.sick.com/6044400



SICK AG
WALDKIRCH
GERMANY
SICK.COM

SICK AT A GLANCE

SICK is a leading global technology company for intelligent sensors and integrated solutions in industrial automation. Our technologies set benchmarks, making your industrial processes more efficient, safer and more sustainable – both in logistics and manufacturing operations.

SICK combines sensor intelligence with industry expertise and certified consulting services. We provide the ideal foundation for scalable as well as tailor-made automation solutions and create added value along the entire value chain. Our close partnerships with our customers are more than just a promise: Together, we optimize productivity, improve quality, protect health and safety, and help build a sustainable future. All with empathy and trust.

Since 1946, we have been developing innovative technologies with passion and a pioneering spirit. With a global network in around 40 countries, SICK has a global presence and is always close by. The company's headquarters are located in Waldkirch near Freiburg, Germany. Our customers benefit from our understanding of both local and global requirements, which enables us to deliver tailor-made solutions

SICK
Sensor Intelligence