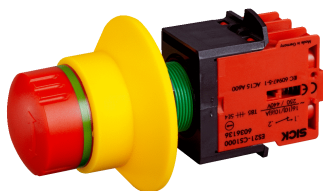


ES21-SB10E1

ES21

SAFETY COMMAND DEVICES

SICK
Sensor Intelligence.



Ordering information

Type	part no.
ES21-SB10E1	6041507

Other models and accessories → www.sick.com/ES21



Detailed technical data

Features

Positive action N/C contacts	2
N/O contacts	0
Actuation directions	1
Obstruction protection	✓
Release type	Rotary release

Safety-related parameters

B_{10d} parameter	2.5 x 10 ⁵ switching cycles
----------------------------------	----------------------------------------

Functions

Safe series connection	None, only individual wiring (with diagnostics)
-------------------------------	-------------------------------------------------

Interfaces

Connection type	Terminal strip
Conductor cross section	≤ 2.5 mm ²
Contact	Screw connection

Electronics - Operating data

Protection class	II (EN 50178)
Switching principle	Slow action switching element
Positive action N/C contacts	2
N/O contacts	0
Usage category	AC-15/DC-13 (EN 60947-5-1)
Rated operating current (voltage)	3 A (250 V AC) 2 A (24 V DC)
Rated insulation voltage U_i	600 V
Switching voltage	≥ 5 V DC
Switching current	≥ 1 mA

Mechanics

Weight	69 g
Housing material	Plastic
Mounting version	Panel mount version

Ambient data

Enclosure rating	IP65 (IEC 60529)
Ambient operating temperature	-30 °C ... +70 °C
Storage temperature	-50 °C ... +85 °C

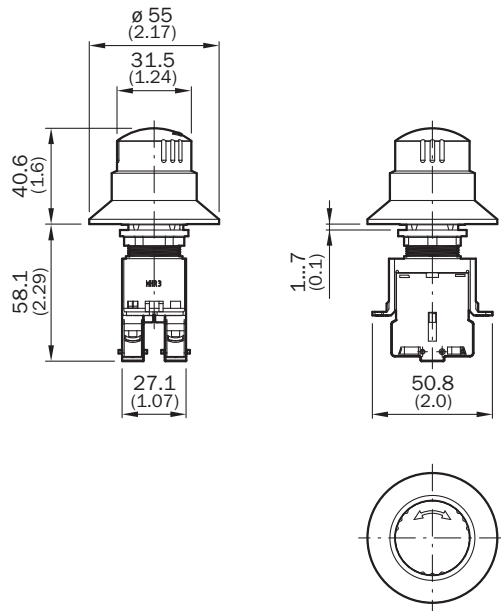
Certificates

EU declaration of conformity	✓
UK declaration of conformity	✓
China RoHS	✓
Third party certificate	✓

Classifications

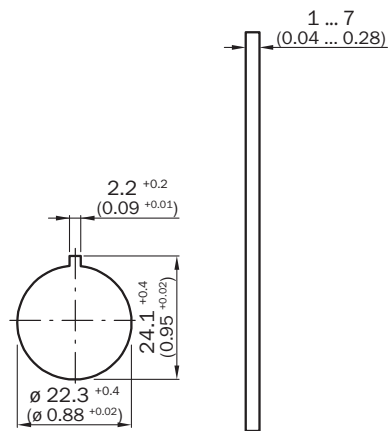
ECLASS 5.0	27371228
ECLASS 5.1.4	27371228
ECLASS 6.0	27371244
ECLASS 6.2	27371244
ECLASS 7.0	27371244
ECLASS 8.0	27371244
ECLASS 8.1	27371244
ECLASS 9.0	27371244
ECLASS 10.0	27371244
ECLASS 11.0	27371244
ECLASS 12.0	27371244
ETIM 5.0	EC002034
ETIM 6.0	EC002034
ETIM 7.0	EC002034
ETIM 8.0	EC002034
UNSPSC 16.0901	39121545

Dimensional drawing



Dimensions in mm (inch)

Dimensional drawing Mounting holes



Dimensions in mm (inch)

SICK AT A GLANCE

SICK is one of the leading manufacturers of intelligent sensors and sensor solutions for industrial applications. A unique range of products and services creates the perfect basis for controlling processes securely and efficiently, protecting individuals from accidents and preventing damage to the environment.

We have extensive experience in a wide range of industries and understand their processes and requirements. With intelligent sensors, we can deliver exactly what our customers need. In application centers in Europe, Asia and North America, system solutions are tested and optimized in accordance with customer specifications. All this makes us a reliable supplier and development partner.

Comprehensive services complete our offering: SICK LifeTime Services provide support throughout the machine life cycle and ensure safety and productivity.

For us, that is “Sensor Intelligence.”

WORLDWIDE PRESENCE:

Contacts and other locations –www.sick.com