



# DOS-0612W000GA3KM0

Field-wireable connectors

CONNECTORS AND CABLES

**SICK**  
Sensor Intelligence.



### Ordering information

Type	part no.
DOS-0612W000GA3KM0	6020758

Other models and accessories → [www.sick.com/Field-wireable\\_connectors](http://www.sick.com/Field-wireable_connectors)



### Detailed technical data

#### Technical specifications

<b>Connection type head A</b>	Female connector, M26, 12-pin, angled, A-coded
<b>Connection type</b>	Crimp contacts
<b>Connector color</b>	Gray
<b>Shielding</b>	Unshielded
<b>Permitted cable diameter</b>	8 mm ... 10 mm
<b>Permitted cross-section</b>	0.5 mm <sup>2</sup> ... 1.5 mm <sup>2</sup>
<b>Reference voltage</b>	≤ 50 V AC, ≤ 60 V DC
<b>Rated impulse voltage</b>	1.5 kV
<b>Current loading</b>	5 A
<b>Note</b>	12 crimping contacts enclosed
<b>Enclosure rating</b>	IP65
<b>Operating temperature</b>	Head -40 °C ... +90 °C

#### Certificates

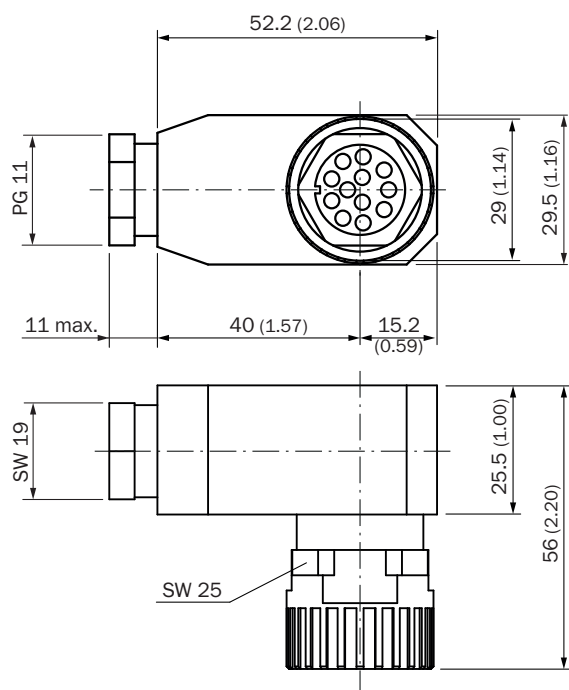
<b>EU declaration of conformity</b>	✓
<b>UK declaration of conformity</b>	✓
<b>China RoHS</b>	✓

#### Classifications

<b>ECLASS 5.0</b>	27279290
<b>ECLASS 5.1.4</b>	27279290
<b>ECLASS 6.0</b>	27279221
<b>ECLASS 6.2</b>	27279221
<b>ECLASS 7.0</b>	27440104
<b>ECLASS 8.0</b>	27440104
<b>ECLASS 8.1</b>	27440104
<b>ECLASS 9.0</b>	27440102

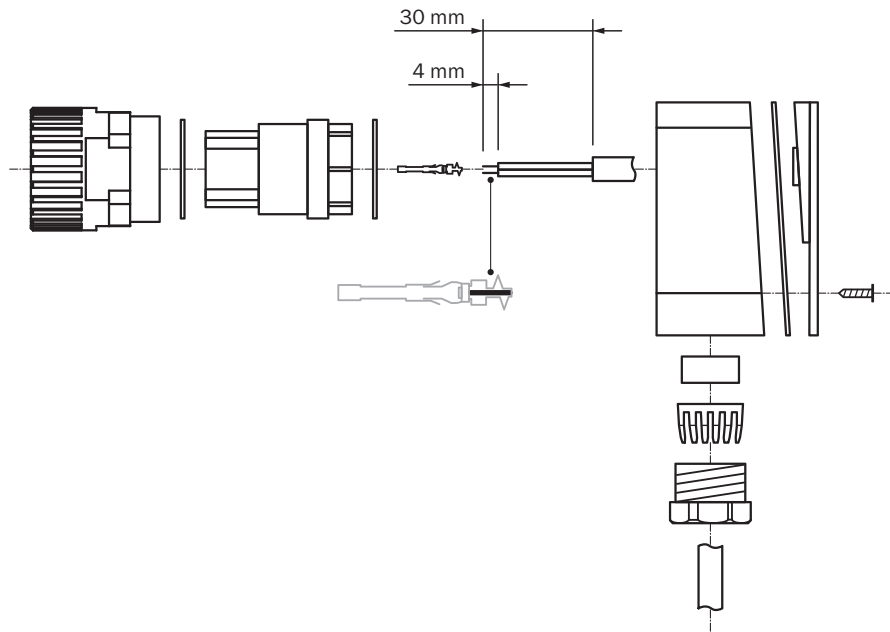
<b>ECLASS 10.0</b>	27440102
<b>ECLASS 11.0</b>	27440102
<b>ECLASS 12.0</b>	27440116
<b>ETIM 5.0</b>	EC002635
<b>ETIM 6.0</b>	EC002635
<b>ETIM 7.0</b>	EC002635
<b>ETIM 8.0</b>	EC002635
<b>UNSPSC 16.0901</b>	39121421

Dimensional drawing



Dimensions in mm (inch)

### Installation drawing



## SICK AT A GLANCE

SICK is one of the leading manufacturers of intelligent sensors and sensor solutions for industrial applications. A unique range of products and services creates the perfect basis for controlling processes securely and efficiently, protecting individuals from accidents and preventing damage to the environment.

We have extensive experience in a wide range of industries and understand their processes and requirements. With intelligent sensors, we can deliver exactly what our customers need. In application centers in Europe, Asia and North America, system solutions are tested and optimized in accordance with customer specifications. All this makes us a reliable supplier and development partner.

Comprehensive services complete our offering: SICK LifeTime Services provide support throughout the machine life cycle and ensure safety and productivity.

For us, that is “Sensor Intelligence.”

## WORLDWIDE PRESENCE:

Contacts and other locations –[www.sick.com](http://www.sick.com)