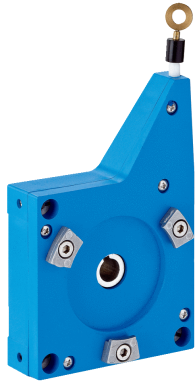


MRA-G080-103D3

Wire draw mechanism for wire draw encoders

WIRE DRAW MECHANISM

SICK
Sensor Intelligence.



Ordering information

Type	part no.
MRA-G080-103D3	5322778

Other models and accessories → www.sick.com/Wire_draw_mechanism_for_wire_draw_encoders

Detailed technical data

Features

Product segment	Wire draw mechanism
Product	Wire draw mechanism for wire draw encoders
Description	EcoLine wire draw mechanism for servo flange with 6 mm shaft, measuring range 0 m ... 3 m
Items supplied	Without encoder
Measurement range	0 m 3 m
Reproducibility	≤ 0.2 mm
Linearity	≤ ± 2 mm
Hysteresis	≤ 0.4 mm
Measuring wire material	Highly flexible stranded steel 1,4401 stainless steel V4A
Housing material, wire draw mechanism	Plastic, Noryl
Housing material	Plastic, Noryl
Length of wire pulled out per revolution	230 mm
Actual wire draw length	3.2 m
Spring return force	3.3 N 4.4 N ¹⁾
Measuring wire diameter	0.55 mm
Wire acceleration	10 m/s ²
Operating speed	6 m/s
Ambient operating temperature	-30 °C ... +70 °C
Enclosure rating mechanic	IP50
Life of wire draw mechanism	Typ. 1,000,000 cycles ^{2) 3)}
Weight	250 g 250 g Wire draw mechanism
Weight (measuring wire)	1.2 g/m

¹⁾ These values were measured at an ambient temperature of 25 °C. There may be variations at other temperatures.

²⁾ Average values, which depend on the application.

³⁾ The service life depends on the type of load. This is influenced by environmental conditions, the installation location, the measuring range in use, the traversing speed, and acceleration.

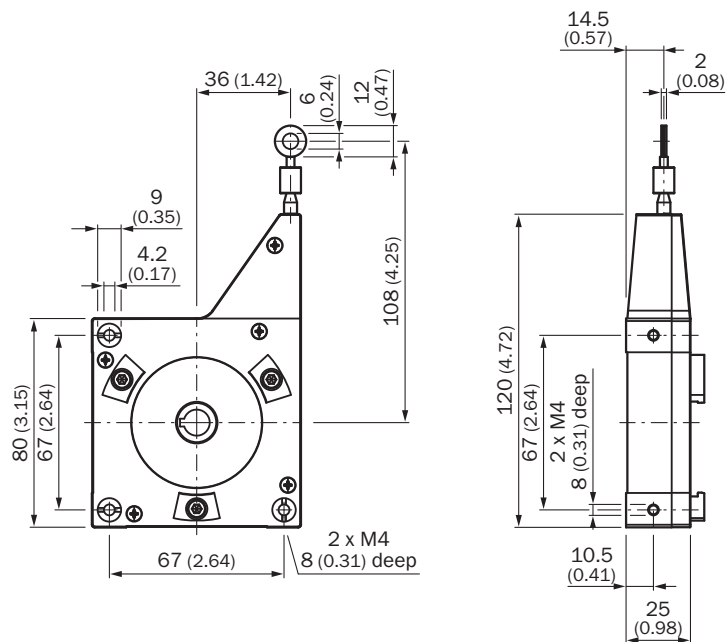
Classifications

ECLASS 5.0	27270591
ECLASS 5.1.4	27270591
ECLASS 6.0	27279103
ECLASS 6.2	27279103
ECLASS 7.0	27279103
ECLASS 8.0	27279103
ECLASS 8.1	27279103
ECLASS 9.0	27270591
ECLASS 10.0	27270591
ECLASS 11.0	27270591
ECLASS 12.0	27270591
ETIM 5.0	EC002026
ETIM 6.0	EC002026
ETIM 7.0	EC002026
ETIM 8.0	EC002026
UNSPSC 16.0901	39122221

Certificates

China RoHS	✓
-------------------	---


Dimensional drawing



Dimensions in mm (inch)

Recommended accessories

Other models and accessories → www.sick.com/Wire_draw_mechanism_for_wire_draw_encoders

	Brief description	Type	part no.
Mounting systems			
	<ul style="list-style-type: none">Description: Wire draw deflection pulley for wire draw mechanism MRA-G080 (3 m from EcoLine series)	MRA-G080-R	2128506

SICK AT A GLANCE

SICK is one of the leading manufacturers of intelligent sensors and sensor solutions for industrial applications. A unique range of products and services creates the perfect basis for controlling processes securely and efficiently, protecting individuals from accidents and preventing damage to the environment.

We have extensive experience in a wide range of industries and understand their processes and requirements. With intelligent sensors, we can deliver exactly what our customers need. In application centers in Europe, Asia and North America, system solutions are tested and optimized in accordance with customer specifications. All this makes us a reliable supplier and development partner.

Comprehensive services complete our offering: SICK LifeTime Services provide support throughout the machine life cycle and ensure safety and productivity.

For us, that is “Sensor Intelligence.”

WORLDWIDE PRESENCE:

Contacts and other locations –www.sick.com