



iE110-PTR

Wire draw mechanism for rope pull switches

WIRE DRAW MECHANISM

SICK
Sensor Intelligence.

iE110-PTR | Wire draw mechanism for rope pull switches

WIRE DRAW MECHANISM



Ordering information

Type	part no.
iE110-PTR	5309034

Other models and accessories → www.sick.com/Wire_draw_mechanism_for_rope_pull_switches

Detailed technical data

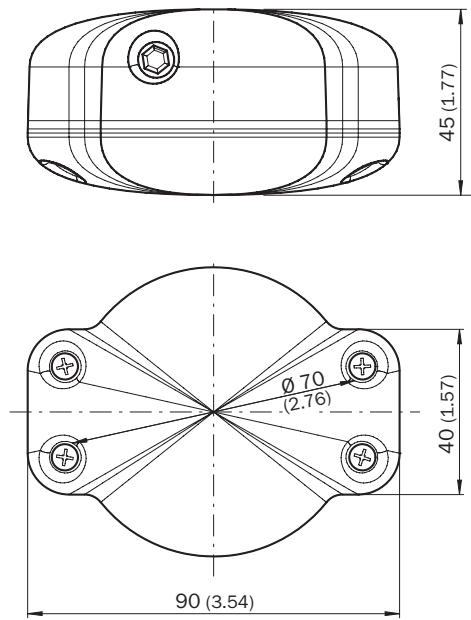
Features

Product segment	Wire draw mechanism
Product	Wire draw mechanism for rope pull switches
Description	Tensioner
Items supplied	1 tension roller, 2 cable clamps, 1 Allen wrench

Classifications

ECLASS 5.0	27279290
ECLASS 5.1.4	27279290
ECLASS 6.0	27279290
ECLASS 6.2	27279290
ECLASS 7.0	27279290
ECLASS 8.0	27279290
ECLASS 8.1	27279290
ECLASS 9.0	27279090
ECLASS 10.0	27279090
ECLASS 11.0	27279090
ECLASS 12.0	27279090
ETIM 5.0	EC001195
ETIM 6.0	EC001195
ETIM 7.0	EC001195
ETIM 8.0	EC001195
UNSPSC 16.0901	31151500

dimensional drawing: tensioner



Dimensions in mm (inch)

SICK AT A GLANCE

SICK is one of the leading manufacturers of intelligent sensors and sensor solutions for industrial applications. A unique range of products and services creates the perfect basis for controlling processes securely and efficiently, protecting individuals from accidents and preventing damage to the environment.

We have extensive experience in a wide range of industries and understand their processes and requirements. With intelligent sensors, we can deliver exactly what our customers need. In application centers in Europe, Asia and North America, system solutions are tested and optimized in accordance with customer specifications. All this makes us a reliable supplier and development partner.

Comprehensive services complete our offering: SICK LifeTime Services provide support throughout the machine life cycle and ensure safety and productivity.

For us, that is “Sensor Intelligence.”

WORLDWIDE PRESENCE:

Contacts and other locations –www.sick.com