

DATA SHEET

# YM2D24-C75PN1MRJA4

Industrial Ethernet cables and fieldbus cables  
Connectors and cables

## CONNECTORS AND CABLES

YM2D24-C75PN1MR-  
JA4

## ORDERING INFORMATION

Type	part no.
YM2D24-C75PN1MRJA4	<a href="#">2144638</a>

Further device versions and accessories at [www.sick.com/Industrial\\_Ethernet\\_cables\\_and\\_fieldbus\\_cables](http://www.sick.com/Industrial_Ethernet_cables_and_fieldbus_cables)



## DETAILED TECHNICAL DATA

## TECHNICAL SPECIFICATIONS

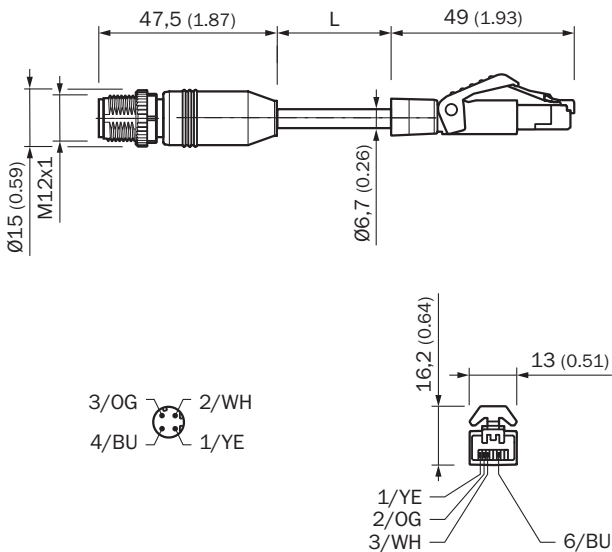
Connection type head A	Male connector, M12, 4-pin, straight, D-coded						
Connection type head B	Male connector, RJ45, 4-pin, straight						
Locking plug connector	Screw-on connection (M12), snap-in locking (RJ45)						
Connector material	TPU						
Connector color	Black						
Locking nut material	Zinc die-cast, nickel-plated						
Tightening torque	0.6 Nm						
Width across flats	13						
Cable	0.75 m, 4-wire, PUR, halogen-free						
Jacket material	PUR, halogen-free						
Jacket color	Green						
Cable diameter	6.7 mm						
Conductor cross section	0.34 mm <sup>2</sup>						
Shielding	Shielded						
Bending radius	<table border="0"> <tr> <td>Flexible use</td> <td>&gt; 12 x cable diameter</td> </tr> <tr> <td>Stationary position</td> <td>&gt; 5 x cable diameter</td> </tr> <tr> <td>Drag chain operation</td> <td>&gt; 12 x cable diameter</td> </tr> </table>	Flexible use	> 12 x cable diameter	Stationary position	> 5 x cable diameter	Drag chain operation	> 12 x cable diameter
Flexible use	> 12 x cable diameter						
Stationary position	> 5 x cable diameter						
Drag chain operation	> 12 x cable diameter						
Bending cycles	3,000,000						
Reference voltage	<table border="0"> <tr> <td>48 V AC</td> </tr> <tr> <td>60 V DC</td> </tr> </table>	48 V AC	60 V DC				
48 V AC							
60 V DC							
Rated impulse voltage	1 kV						
Current loading	1.5 A						

Traversing speed	3.3 m/s
Travelling distance	5 m
Acceleration	≤ 2 m/s <sup>2</sup>
Signal type	Ethernet, PROFINET
Transmission characteristics	CAT5e
Data transmission rate	≤ 0.1 Gbit/s
Application	Drag chain operation Zones with oils and lubricants
Enclosure rating	IP67 (M12), IP20 (RJ45)
Operating temperature	Flexible use -30 °C ... +70 °C Stationary position -40 °C ... +80 °C Drag chain operation -30 °C ... +70 °C Head -25 °C ... +85 °C
Contamination rating	3
Insulation resistance	> 100 MΩ
Overvoltage category	III
Specific insulation resistance	< 30 mΩ
Thermal resistance, piping	Flame retardant according to UL 1581 Section 1060 (FT1), Section 1061 (cable flame), Section 1080 (VW-1) / IEC 60332-1-2

## CERTIFICATES

EU declaration of conformity	✓
UK declaration of conformity	✓
China RoHS	✓
cULus certificate	✓

## DIMENSIONAL DRAWING



Dimensions in mm (inch)

Further information as well as suitable accessories, example applications and downloads such as CAD dimensional models, operating instructions and software can be found at [www.sick.com/2144638](http://www.sick.com/2144638)



SICK AG  
WALDKIRCH  
GERMANY  
SICK.COM

# SICK AT A GLANCE

SICK is a leading global technology company for intelligent sensors and integrated solutions in industrial automation. Our technologies set benchmarks, making your industrial processes more efficient, safer and more sustainable – both in logistics and manufacturing operations.

SICK combines sensor intelligence with industry expertise and certified consulting services. We provide the ideal foundation for scalable as well as tailor-made automation solutions and create added value along the entire value chain. Our close partnerships with our customers are more than just a promise: Together, we optimize productivity, improve quality, protect health and safety, and help build a sustainable future. All with empathy and trust.

Since 1946, we have been developing innovative technologies with passion and a pioneering spirit. With a global network in around 40 countries, SICK has a global presence and is always close by. The company's headquarters are located in Waldkirch near Freiburg, Germany. Our customers benefit from our understanding of both local and global requirements, which enables us to deliver tailor-made solutions

**SICK**  
Sensor Intelligence