

# T-muting arm kit, mounting on the device

Muting arms

**MOUNTING SYSTEMS**

**SICK**  
Sensor Intelligence.



### Ordering information

Type	part no.
T-muting arm kit, mounting on the device	2139902

**Included in delivery:** BEF-2KHAAKU1 (4), GL6G-P0211S98 (2), Muting arm, long (2), Muting arm bracket (2), P250 (2)

Other models and accessories → [www.sick.com/Muting\\_arms](http://www.sick.com/Muting_arms)

### Detailed technical data

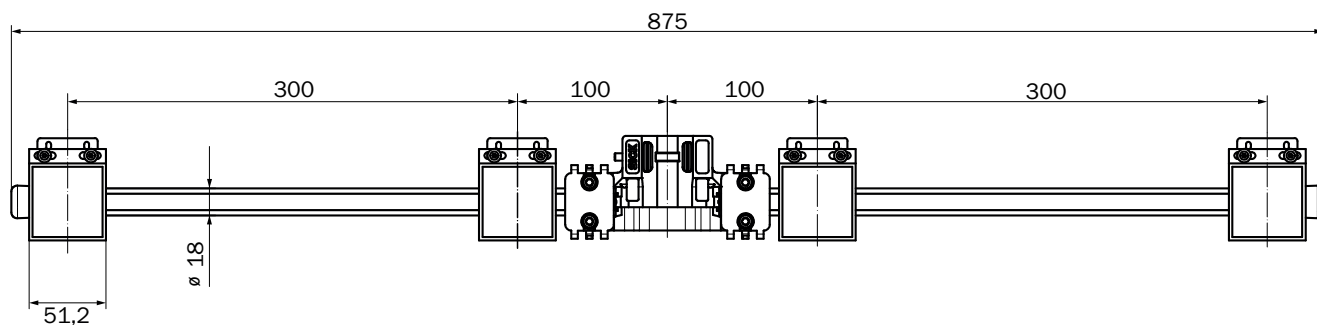
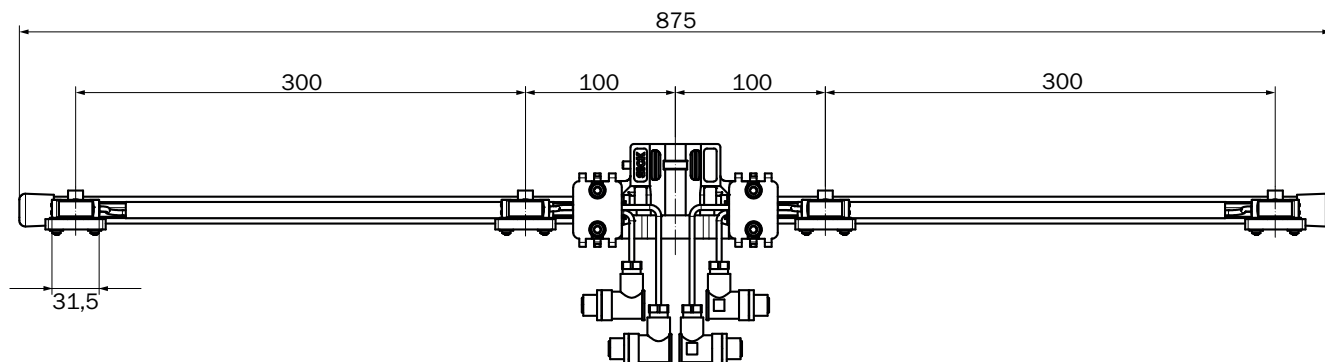
#### Features

<b>Accessory group</b>	Mounting systems
<b>Accessory family</b>	Muting arms
<b>Suitable for</b>	deTec4, deTec4 Ex II 3GD, deTec4 HG, deTem4, deTem4 A/P
<b>Items supplied</b>	4 × GL6G-P0211S98 muting sensor (2142441) 4 × P250 reflector (5304812) 8 × L-muting bracket (2113145) 4 × muting arm, long (2111923) 2 × muting arm bracket for deTec/deTem (2106455)
<b>Description</b>	Muting arm kit for 4-sensor parallel muting, pre-assembled and pre-adjusted muting sensors and reflectors, for mounting on both sides of a deTec or deTem housing profile

#### Classifications

<b>ECLASS 5.0</b>	27279202
<b>ECLASS 5.1.4</b>	27279202
<b>ECLASS 6.0</b>	27279202
<b>ECLASS 6.2</b>	27279202
<b>ECLASS 7.0</b>	27279202
<b>ECLASS 8.0</b>	27279202
<b>ECLASS 8.1</b>	27279202
<b>ECLASS 9.0</b>	27273701
<b>ECLASS 10.0</b>	27273701
<b>ECLASS 11.0</b>	27273701
<b>ECLASS 12.0</b>	27273701
<b>ETIM 5.0</b>	EC002024
<b>ETIM 6.0</b>	EC002024
<b>ETIM 7.0</b>	EC002024
<b>ETIM 8.0</b>	EC002024
<b>UNSPSC 16.0901</b>	32131023

## Dimensional drawing



Dimensions in mm (inch)

## SICK AT A GLANCE

SICK is one of the leading manufacturers of intelligent sensors and sensor solutions for industrial applications. A unique range of products and services creates the perfect basis for controlling processes securely and efficiently, protecting individuals from accidents and preventing damage to the environment.

We have extensive experience in a wide range of industries and understand their processes and requirements. With intelligent sensors, we can deliver exactly what our customers need. In application centers in Europe, Asia and North America, system solutions are tested and optimized in accordance with customer specifications. All this makes us a reliable supplier and development partner.

Comprehensive services complete our offering: SICK LifeTime Services provide support throughout the machine life cycle and ensure safety and productivity.

For us, that is “Sensor Intelligence.”

## WORLDWIDE PRESENCE:

Contacts and other locations –[www.sick.com](http://www.sick.com)