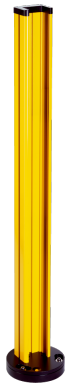


PP4-C231110000000

Device columns

MOUNTING SYSTEMS

SICK
Sensor Intelligence.



Ordering information

Type	part no.
PP4-C23111000000	2139656

Other models and accessories → www.sick.com/Device_columns

Detailed technical data

Features

Description	PP4 protective column for mounting suitable variants of the deTec and deTem product families. Protects the devices from mechanical influences from three sides.
Mounting system type	Mechanical anchoring to the floor
Items supplied	PP4 device column with pre-assembled alignment plate and removable end cap Base plate with spirit level, fine alignment wheel and setscrews M8 screws and washers for mounting the alignment plate on the base plate Alignment clamp Operating instructions for download
Column height	2,310.5 mm
Suitable for device variants	
deTec safety light curtain	Protective field height ≤ 2,100 mm
deTem safety light-beam sensor	Any
Compatible brackets	
FlexFix	✓
Flat-Mount	✓ ¹⁾
Swivel-Mount	✓ ¹⁾
Additional options	Enables additional accessories, such as muting arms, to be installed.
Muting sensor protection left (2140187)	✓
Muting sensor protection right (2140186)	✓
Muting arm adapter (2140086)	✓
Height of first beam above ground	200 mm

¹⁾ The flat mount and swivel mount brackets are attached at the top and bottom of the device. A correspondingly higher column must therefore be selected for installation.

Functions

Alignment	The complete alignment process involves leveling the base plate and rotating the alignment plate at the foot of the column.
Alignment aid mark (-45°, 0°, 45°)	✓
Fine alignment wheel	✓
Setscrews for leveling	✓
Spirit level	✓

Cable entry	✓
--------------------	---

Mechanics

Material		
	Column profile	Aluminum (powder-coating)
	Alignment plate	Aluminum (powder-coating)
	Base plate	Aluminum (powder-coating)
	Fine alignment wheel	PA6
	Alignment clamp	PA6
	End cap	ABS
Dimensions		See dimensional drawing
	L1	2,250 mm ¹⁾
	L2	2,310.5 mm ²⁾
	Cross-section of column profile	101.6 mm x 81 mm
	Diameter of base plate	195 mm
Weight		10.28 kg

¹⁾ L1 = Column profile height.

²⁾ L2 = Column height (incl. base plate, alignment plate and end cap).

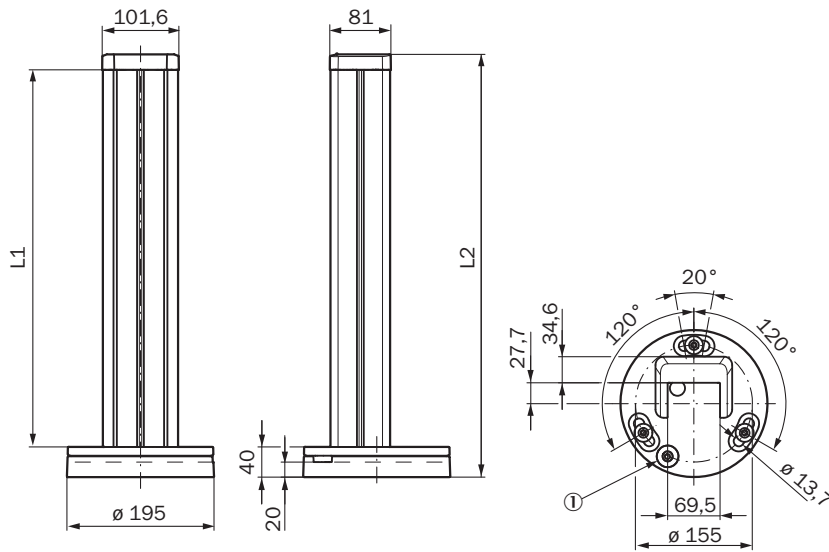
Ambient data

Storage temperature	-30 °C ... +70 °C
----------------------------	-------------------

Classifications

ECLASS 5.0	27279202
ECLASS 5.1.4	27279202
ECLASS 6.0	27279202
ECLASS 6.2	27279202
ECLASS 7.0	27279202
ECLASS 8.0	27279202
ECLASS 8.1	27279202
ECLASS 9.0	27273701
ECLASS 10.0	27273701
ECLASS 11.0	27273701
ECLASS 12.0	27273701
ETIM 5.0	EC001941
ETIM 6.0	EC001941
ETIM 7.0	EC001941
ETIM 8.0	EC001941
UNSPSC 16.0901	39111609

Dimensional drawing PP4 Protective Column



Dimensions in mm (inch)

① Fine alignment wheel

Type	Part no.	L1 = Column profile height	L2 = Column height (incl. base plate, alignment plate and end cap)
PP4-C09811000000	2139645	924	984,5
PP4-C10811000000	2139646	1024	1084,5
PP4-C11811000000	2139647	1124	1184,5
PP4-C12811000000	2139649	1224	1284,5
PP4-C14111000000	2139650	1350	1410,5
PP4-C15611000000	2139651	1500	1560,5
PP4-C17111000000	2139652	1650	1710,5
PP4-C18611000000	2139653	1800	1860,5
PP4-C20111000000	2139654	1950	2010,5
PP4-C21611000000	2139655	2100	2160,5
PP4-C23111000000	2139656	2250	2310,5

SICK AT A GLANCE

SICK is one of the leading manufacturers of intelligent sensors and sensor solutions for industrial applications. A unique range of products and services creates the perfect basis for controlling processes securely and efficiently, protecting individuals from accidents and preventing damage to the environment.

We have extensive experience in a wide range of industries and understand their processes and requirements. With intelligent sensors, we can deliver exactly what our customers need. In application centers in Europe, Asia and North America, system solutions are tested and optimized in accordance with customer specifications. All this makes us a reliable supplier and development partner.

Comprehensive services complete our offering: SICK LifeTime Services provide support throughout the machine life cycle and ensure safety and productivity.

For us, that is “Sensor Intelligence.”

WORLDWIDE PRESENCE:

Contacts and other locations –www.sick.com