



VI228U-WH5047F3

Illuminations

REFLECTORS AND OPTICS

SICK
Sensor Intelligence.



Ordering information

Type	part no.
VI228U-WH5047F3	2139458

Other models and accessories → www.sick.com/Illuminations

Detailed technical data

Features

Product segment	Reflectors and optics
Product	Illuminations
Product version	LED
Description	External illumination, illumination color white, wide (47°), for use with basic 12 and 9 megapixel devices and lenses with focal lengths of 16 mm (part no. 5345437) or 12 mm (part no. 5345436) or basic 5 megapixel devices and lens with focal length of 12 mm (part no. 5342133) and 8 mm (part no. 5349682)
Enclosure rating	IP 65 (IEC 60529:2013 +C1:2013 +C2:2015 +AMD2 C1:2019, EN 60529:1991 +A1:2010 +A2:2013 +AC:2019-02) 1)
LED class	Risk group 1 (low risk) according to EC 62471-1: 2006-07 / EN 62471-1: 2008-09
Operating voltage	24 V DC, ± 24 %
Power consumption	≤ 5 W
Ambient operating temperature	0 °C ... +40 °C ¹⁾
Storage temperature	-20 °C ... +70 °C ²⁾
Permissible relative humidity	0% ... 90%, non-condensing
Housing color	Black
Illumination color	White, LED, Visible,

¹⁾ Ensure adequate heat dissipation when mounting the device.

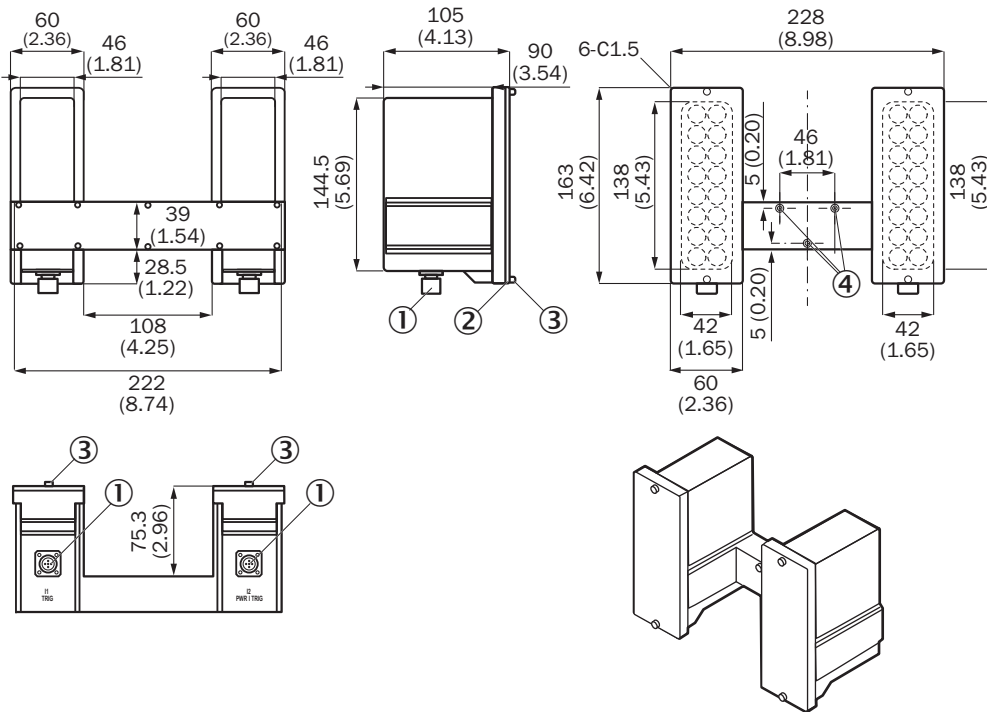
²⁾ Store in a place protected from moisture and dust.

Classifications

ECLASS 5.0	27110635
ECLASS 5.1.4	27110635
ECLASS 6.0	27110635
ECLASS 6.2	27110635
ECLASS 7.0	27110635
ECLASS 8.0	27110635
ECLASS 8.1	27110635
ECLASS 9.0	27110635
ECLASS 10.0	27110635
ECLASS 11.0	27110635
ECLASS 12.0	27110635

ETIM 5.0	EC000996
ETIM 6.0	EC000996
ETIM 7.0	EC000996
ETIM 8.0	EC000996
UNSPSC 16.0901	39101628

Dimensional drawing

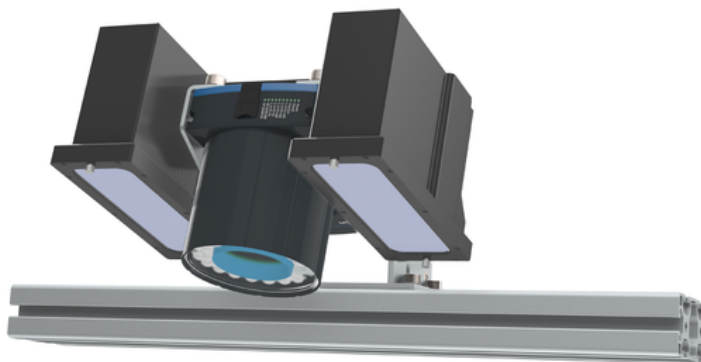
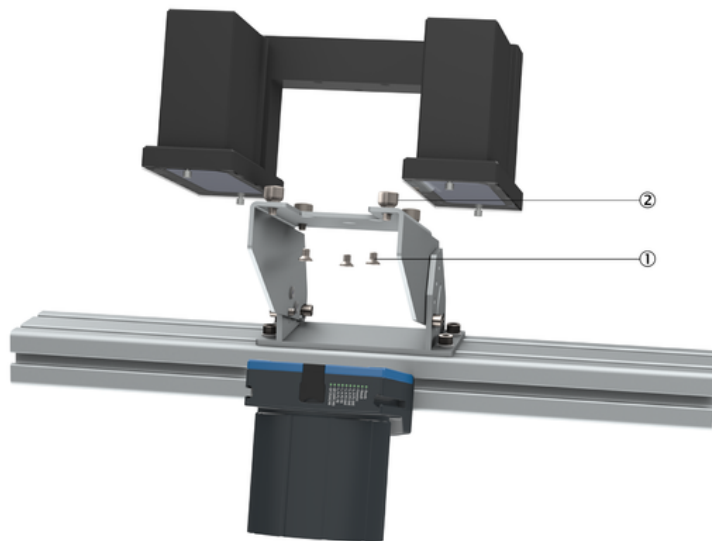


Dimensions in mm (inch)

structure and device dimensions, unit: mm (inch), decimal separator: period

- ① Electrical connections
- ② polarizing filter
- ③ screws for mounting the polarizing filter
- ④ M5 screws for mounting the external illumination unit on the mounting bracket

Instruction for installation



mounting the external illumination

- ① Mount the external illumination on the mounting bracket using three M5 screws (tightening torque: $5 \text{ Nm} \pm 0.5 \text{ Nm}$).
- ② Mount the camera on the mounting bracket using four M5 knurled screws. Tighten the knurled screws by hand without tools.

SICK AT A GLANCE

SICK is one of the leading manufacturers of intelligent sensors and sensor solutions for industrial applications. A unique range of products and services creates the perfect basis for controlling processes securely and efficiently, protecting individuals from accidents and preventing damage to the environment.

We have extensive experience in a wide range of industries and understand their processes and requirements. With intelligent sensors, we can deliver exactly what our customers need. In application centers in Europe, Asia and North America, system solutions are tested and optimized in accordance with customer specifications. All this makes us a reliable supplier and development partner.

Comprehensive services complete our offering: SICK LifeTime Services provide support throughout the machine life cycle and ensure safety and productivity.

For us, that is “Sensor Intelligence.”

WORLDWIDE PRESENCE:

Contacts and other locations –www.sick.com