



VI228U-WH5031F3

Illuminations

REFLECTORS AND OPTICS

SICK
Sensor Intelligence.



Ordering information

| Type | part no. |
|-----------------|----------|
| VI228U-WH5031F3 | 2139457 |

Other models and accessories → www.sick.com/Illuminations

Detailed technical data

Features

| | |
|--------------------------------------|---|
| Product segment | Reflectors and optics |
| Product | Illuminations |
| Product version | LED |
| Description | External illumination, illumination color white, medium 31°, for use with basic 12 and 9 and 5 megapixel devices and lens with focal length of 25 mm (part no. 5345438) or basic 5 megapixel device and lens with focal length of 25 mm (part no. 5342135) and 16 mm (part no. 5342134) |
| Enclosure rating | IP 65 (IEC 60529:2013 +C1:2013 +C2:2015 +AMD2 C1:2019, EN 60529:1991 +A1:2010 +A2:2013 +AC:2019-02) 1) |
| LED class | Risk group 1 (low risk) according to EC 62471-1: 2006-07 / EN 62471-1: 2008-09 |
| Operating voltage | 24 V DC, ± 20 % |
| Power consumption | ≤ 5 W |
| Ambient operating temperature | 0 °C ... +40 °C ¹⁾ |
| Storage temperature | -20 °C ... +70 °C ²⁾ |
| Permissible relative humidity | 0% ... 90%, non-condensing |
| Housing color | Black |
| Illumination color | White, LED, Visible, |

¹⁾ Ensure adequate heat dissipation when mounting the device.

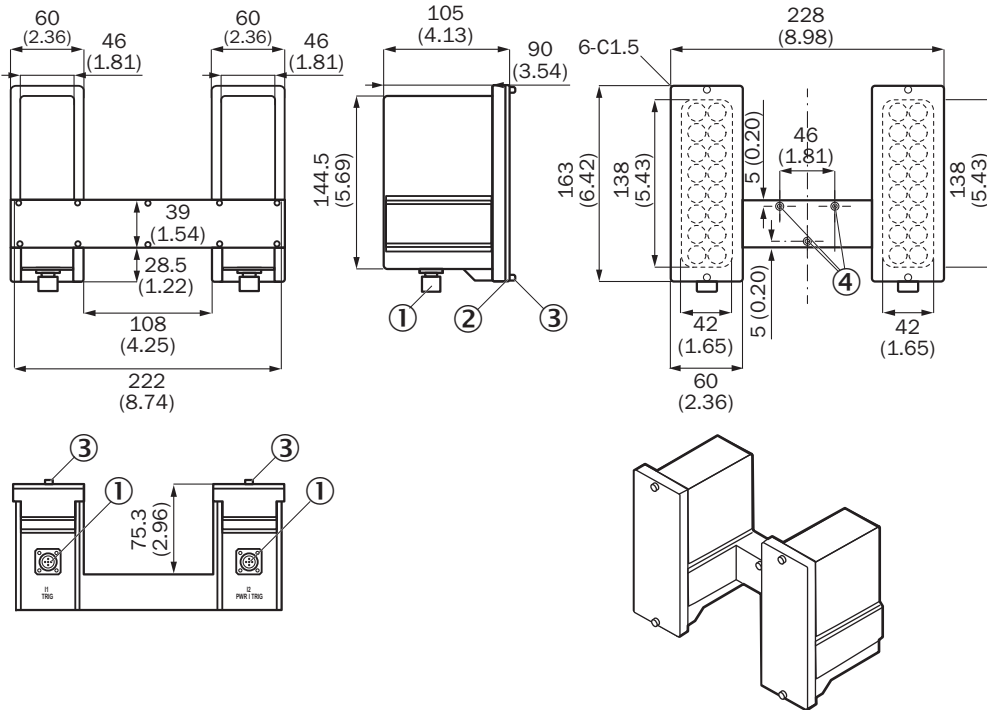
²⁾ Store in a place protected from moisture and dust.

Classifications

| | |
|---------------------|----------|
| ECLASS 5.0 | 27110635 |
| ECLASS 5.1.4 | 27110635 |
| ECLASS 6.0 | 27110635 |
| ECLASS 6.2 | 27110635 |
| ECLASS 7.0 | 27110635 |
| ECLASS 8.0 | 27110635 |
| ECLASS 8.1 | 27110635 |
| ECLASS 9.0 | 27110635 |
| ECLASS 10.0 | 27110635 |
| ECLASS 11.0 | 27110635 |
| ECLASS 12.0 | 27110635 |

| | |
|-----------------------|----------|
| ETIM 5.0 | EC000996 |
| ETIM 6.0 | EC000996 |
| ETIM 7.0 | EC000996 |
| ETIM 8.0 | EC000996 |
| UNSPSC 16.0901 | 39101628 |

Dimensional drawing

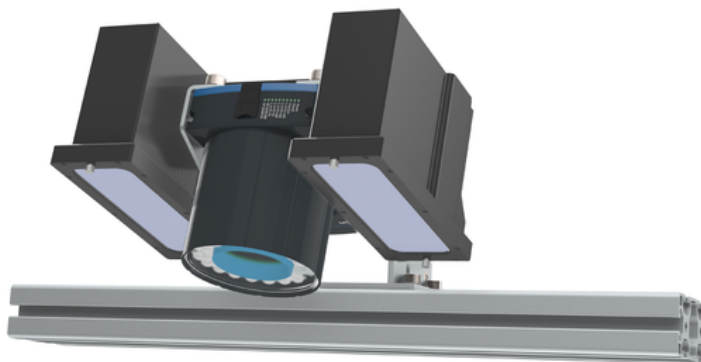
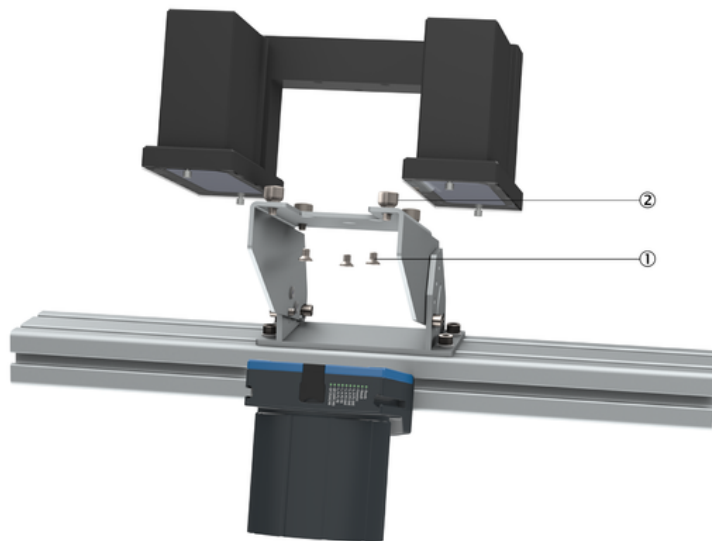


Dimensions in mm (inch)

structure and device dimensions, unit: mm (inch), decimal separator: period

- ① Electrical connections
- ② polarizing filter
- ③ screws for mounting the polarizing filter
- ④ M5 screws for mounting the external illumination unit on the mounting bracket

Instruction for installation



mounting the external illumination

- ① Mount the external illumination on the mounting bracket using three M5 screws (tightening torque: $5 \text{ Nm} \pm 0.5 \text{ Nm}$).
- ② Mount the camera on the mounting bracket using four M5 knurled screws. Tighten the knurled screws by hand without tools.

SICK AT A GLANCE

SICK is one of the leading manufacturers of intelligent sensors and sensor solutions for industrial applications. A unique range of products and services creates the perfect basis for controlling processes securely and efficiently, protecting individuals from accidents and preventing damage to the environment.

We have extensive experience in a wide range of industries and understand their processes and requirements. With intelligent sensors, we can deliver exactly what our customers need. In application centers in Europe, Asia and North America, system solutions are tested and optimized in accordance with customer specifications. All this makes us a reliable supplier and development partner.

Comprehensive services complete our offering: SICK LifeTime Services provide support throughout the machine life cycle and ensure safety and productivity.

For us, that is “Sensor Intelligence.”

WORLDWIDE PRESENCE:

Contacts and other locations –www.sick.com