



# YF2L15-100UK1M2L15

Sensor-actuator cables

CONNECTORS AND CABLES

**SICK**  
Sensor Intelligence.



### Ordering information

Type	part no.
YF2L15-100UK1M2L15	2137665

Other models and accessories → [www.sick.com/Sensor-actuator\\_cables](http://www.sick.com/Sensor-actuator_cables)



### Detailed technical data

#### Technical specifications

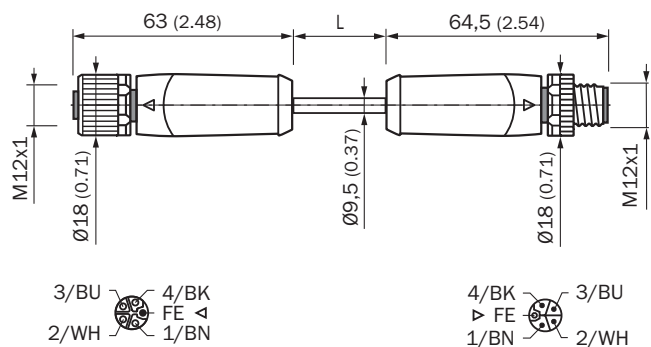
<b>Connection type head A</b>	Female connector, M12, 5-pin, straight, L-coded
<b>Connection type head B</b>	Male connector, M12, 5-pin, straight, L-coded
<b>Locking plug connector</b>	Screw connection
<b>Connector material</b>	TPU
<b>Connector color</b>	Black
<b>Locking nut material</b>	Zinc die-cast, nickel-plated
<b>Seal material</b>	FKM
<b>Tightening torque</b>	0.6 Nm
<b>Width across flats</b>	17
<b>Cable</b>	10 m, 5-wire, PUR, halogen-free
<b>Jacket material</b>	PUR, halogen-free
<b>Jacket color</b>	Black
<b>Cable diameter</b>	9.5 mm
<b>Conductor cross section</b>	2.5 mm <sup>2</sup>
<b>Shielding</b>	Unshielded
<b>Bending radius</b>	
Flexible use	> 10 x cable diameter
Stationary position	> 7.5 x cable diameter
Drag chain operation	> 10 x cable diameter
<b>Bending cycles</b>	5,000,000
<b>Nominal voltage, cable</b>	1,000 V AC
<b>Test voltage, cable</b>	10,000 V AC
<b>Reference voltage</b>	
	63 V DC
<b>Rated impulse voltage</b>	1.5 kV
<b>Current loading</b>	16 A
<b>Traversing speed</b>	3.3 m/s
<b>Travelling distance</b>	5 m
<b>Acceleration</b>	≤ 5 m/s <sup>2</sup>
<b>Signal type</b>	Sensor/actuator cable

<b>Torsion force</b>	180° / 1 m
<b>Torsion cycles</b>	2,000,000
<b>Cycles per minutes</b>	35
<b>Application</b>	Drag chain operation Zones with oils and lubricants Robot
<b>Enclosure rating</b>	IP65/ IP67
<b>Operating temperature</b>	
Flexible use	-25 °C ... +80 °C
Stationary position	-50 °C ... +80 °C
Drag chain operation	-25 °C ... +80 °C
Head	-25 °C ... +85 °C
<b>Contamination rating</b>	3
<b>Insulation resistance</b>	100 MΩ
<b>Overvoltage category</b>	III
<b>Specific insulation resistance</b>	30 mΩ
<b>Thermal resistance, piping</b>	Flame retardant according to UL 1581 VW1 / CSA FT1 / IEC 60332-1, IEC 60332-2-2

### Certificates

<b>EU declaration of conformity</b>	✓
<b>China RoHS</b>	✓

### Dimensional drawing



## SICK AT A GLANCE

SICK is one of the leading manufacturers of intelligent sensors and sensor solutions for industrial applications. A unique range of products and services creates the perfect basis for controlling processes securely and efficiently, protecting individuals from accidents and preventing damage to the environment.

We have extensive experience in a wide range of industries and understand their processes and requirements. With intelligent sensors, we can deliver exactly what our customers need. In application centers in Europe, Asia and North America, system solutions are tested and optimized in accordance with customer specifications. All this makes us a reliable supplier and development partner.

Comprehensive services complete our offering: SICK LifeTime Services provide support throughout the machine life cycle and ensure safety and productivity.

For us, that is “Sensor Intelligence.”

## WORLDWIDE PRESENCE:

Contacts and other locations –[www.sick.com](http://www.sick.com)