



# VLR-294RA4511

Illuminations

REFLECTORS AND OPTICS

**SICK**  
Sensor Intelligence.



Illustration may differ

### Ordering information

Type	part no.
VLR-294RA4511	2134617

Other models and accessories → [www.sick.com/Illuminations](http://www.sick.com/Illuminations)

### Detailed technical data

#### Features

<b>Product segment</b>	Reflectors and optics
<b>Product</b>	Illuminations
<b>Product version</b>	LED
<b>Description</b>	Ring illumination unit with shallow illumination angle
<b>Light source</b>	LED, infrared, 940 nm
<b>LED class</b>	Risk group 1 (low risk, IEC62471 : 2008)
<b>Power consumption</b>	≤ 5 W
<b>Supply voltage</b>	24 V DC
<b>Power consumption</b>	0.36 A
<b>Connections</b>	Connector M12, 4-pin, L = 0.5 m
<b>Ambient operating temperature</b>	0 °C ... +40 °C <sup>1)</sup>
<b>Storage temperature</b>	-20 °C ... +60 °C

<sup>1)</sup> Light intensity may vary depending on the ambient temperature.

#### Classifications

<b>ECLASS 5.0</b>	27110635
<b>ECLASS 5.1.4</b>	27110635
<b>ECLASS 6.0</b>	27110635
<b>ECLASS 6.2</b>	27110635
<b>ECLASS 7.0</b>	27110635
<b>ECLASS 8.0</b>	27110635
<b>ECLASS 8.1</b>	27110635
<b>ECLASS 9.0</b>	27110635
<b>ECLASS 10.0</b>	27110635
<b>ECLASS 11.0</b>	27110635
<b>ECLASS 12.0</b>	27110635
<b>ETIM 5.0</b>	EC000996
<b>ETIM 6.0</b>	EC000996
<b>ETIM 7.0</b>	EC000996

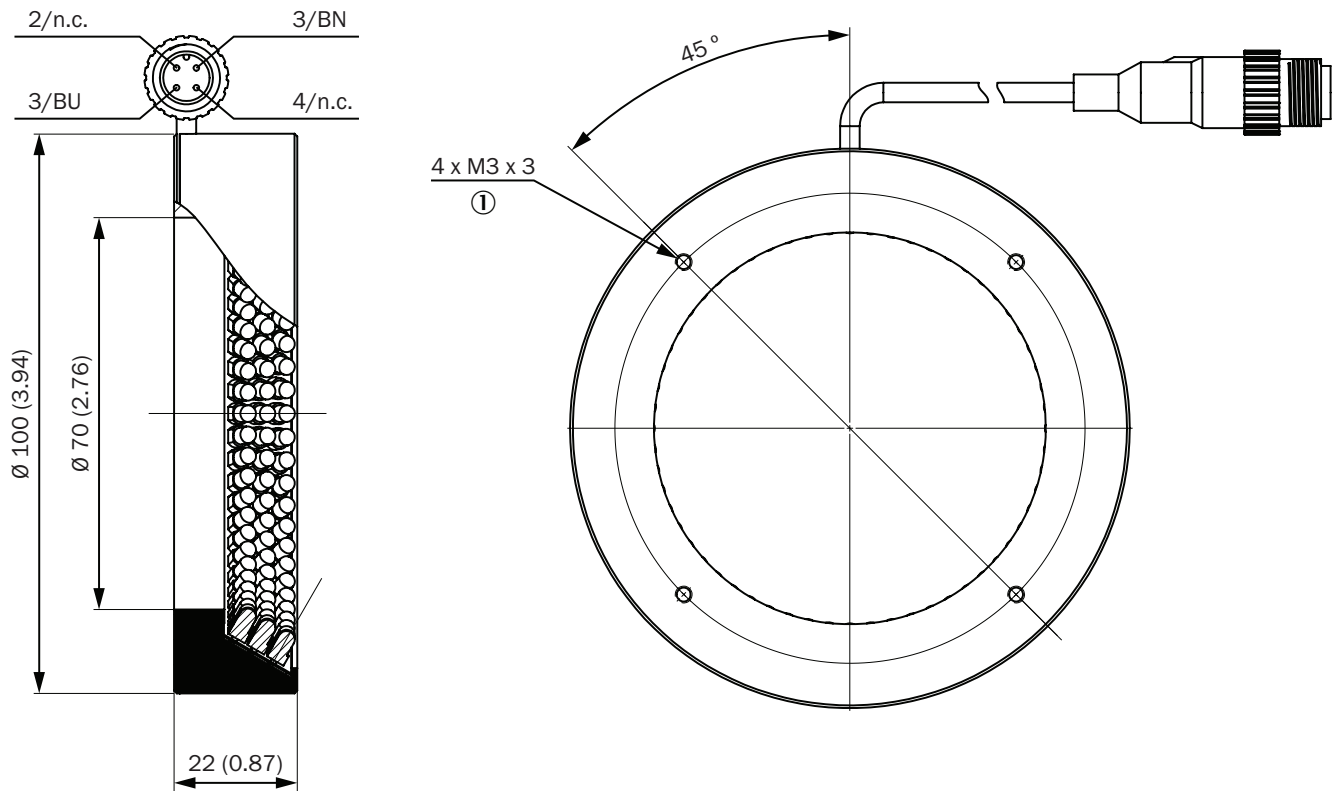
ETIM 8.0

EC000996

UNSPSC 16.0901

39101628

Dimensional drawing



Dimensions in mm (inch)

① For installation; pitch circle diameter 84 mm

② dimensions in mm (inch)

## SICK AT A GLANCE

SICK is one of the leading manufacturers of intelligent sensors and sensor solutions for industrial applications. A unique range of products and services creates the perfect basis for controlling processes securely and efficiently, protecting individuals from accidents and preventing damage to the environment.

We have extensive experience in a wide range of industries and understand their processes and requirements. With intelligent sensors, we can deliver exactly what our customers need. In application centers in Europe, Asia and North America, system solutions are tested and optimized in accordance with customer specifications. All this makes us a reliable supplier and development partner.

Comprehensive services complete our offering: SICK LifeTime Services provide support throughout the machine life cycle and ensure safety and productivity.

For us, that is “Sensor Intelligence.”

## WORLDWIDE PRESENCE:

Contacts and other locations –[www.sick.com](http://www.sick.com)