

Heavy duty mounting kit

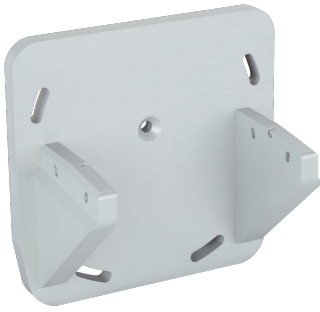
Brackets

MOUNTING SYSTEMS

SICK
Sensor Intelligence.

Heavy duty mounting kit | Brackets

MOUNTING SYSTEMS



Ordering information

Type	part no.
Heavy duty mounting kit	2125150

Other models and accessories → www.sick.com/Brackets

Detailed technical data

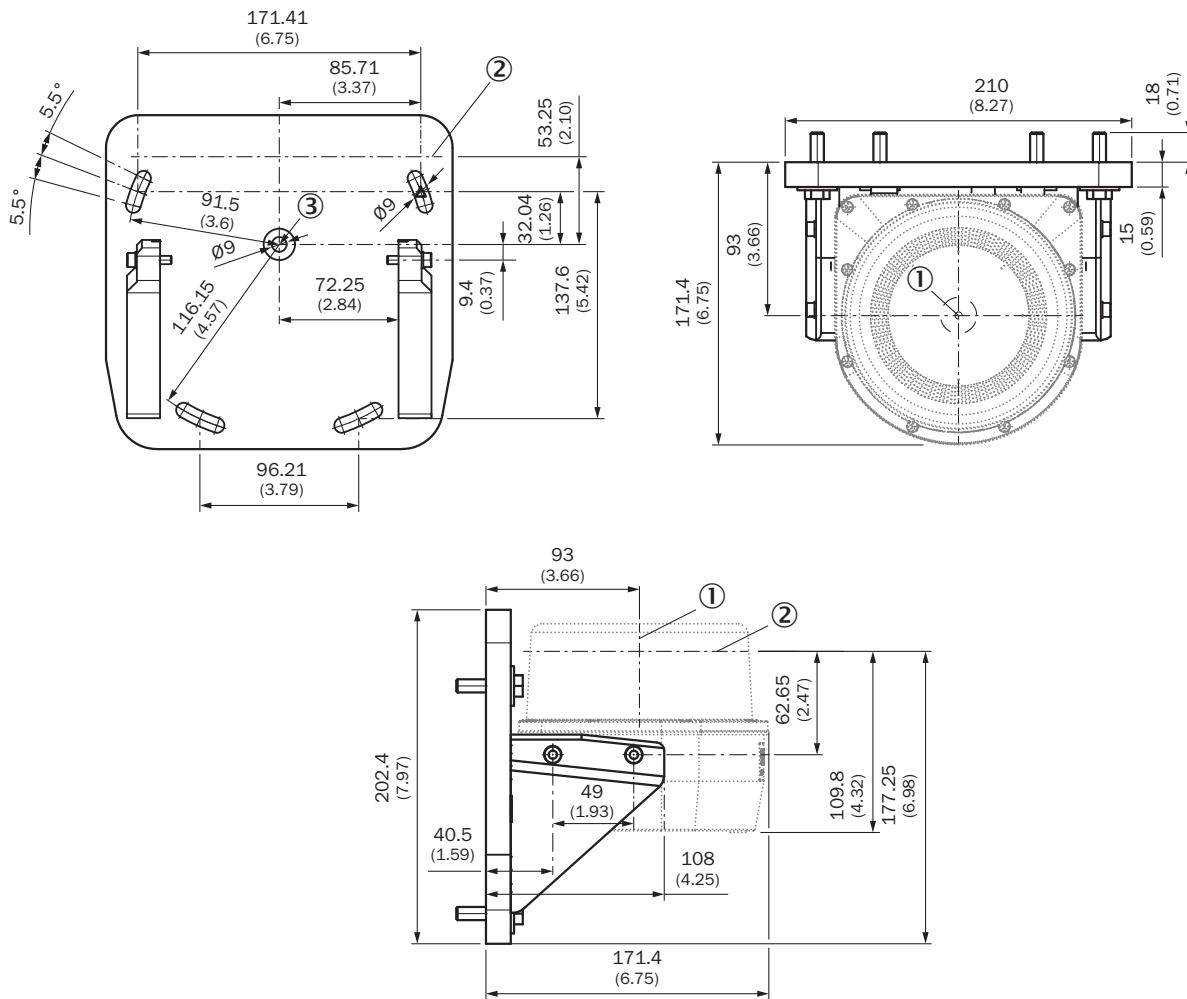
Features

Accessory group	Mounting systems
Accessory family	Brackets
Description	Heavy duty mounting bracket, rugged type for shocks up to 50 G, not compatible with weather protection hood (2085939, 2085938)
Dimensions (W x H x L)	210 mm x 203 mm x 108 mm
Weight	3,000 g
Mounting system type	Mounting bracket

Classifications

ECLASS 5.0	27279202
ECLASS 5.1.4	27279202
ECLASS 6.0	27279202
ECLASS 6.2	27279202
ECLASS 7.0	27279202
ECLASS 8.0	27279202
ECLASS 8.1	27279202
ECLASS 9.0	27273701
ECLASS 10.0	27273701
ECLASS 11.0	27273701
ECLASS 12.0	27273701
ETIM 5.0	EC002615
ETIM 6.0	EC002615
ETIM 7.0	EC002615
ETIM 8.0	EC002615
UNSPSC 16.0901	32131023

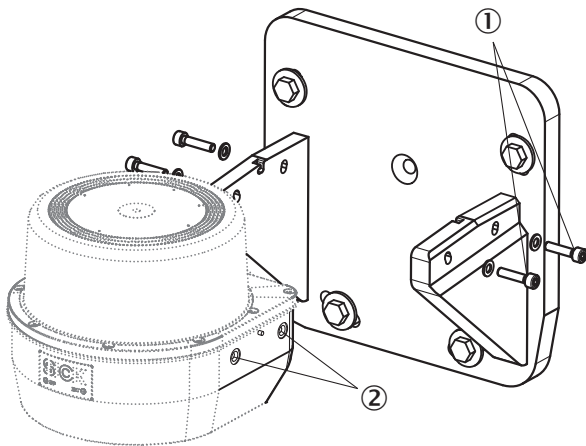
Dimensional drawing



Dimensions in mm (inch)

- ① Scan axis
- ② Scan plane 0°
- ③ Rotation axis

Instruction for installation



- ① Threaded mounting hole M5 x 25, max. tightening torque: 5.0 Nm
- ② Thread depth 7.5 mm

SICK AT A GLANCE

SICK is one of the leading manufacturers of intelligent sensors and sensor solutions for industrial applications. A unique range of products and services creates the perfect basis for controlling processes securely and efficiently, protecting individuals from accidents and preventing damage to the environment.

We have extensive experience in a wide range of industries and understand their processes and requirements. With intelligent sensors, we can deliver exactly what our customers need. In application centers in Europe, Asia and North America, system solutions are tested and optimized in accordance with customer specifications. All this makes us a reliable supplier and development partner.

Comprehensive services complete our offering: SICK LifeTime Services provide support throughout the machine life cycle and ensure safety and productivity.

For us, that is “Sensor Intelligence.”

WORLDWIDE PRESENCE:

Contacts and other locations –www.sick.com