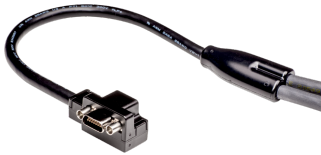


# FX3-MOC Y-CABLE

Y- and T-splitters

CONNECTORS AND CABLES

**SICK**  
Sensor Intelligence.



### Ordering information

Type	part no.
FX3-MOC Y-CABLE	2121173

Other models and accessories → [www.sick.com/Y\\_and\\_T-splitters](http://www.sick.com/Y_and_T-splitters)



### Detailed technical data

#### Technical specifications

<b>Connection type head A</b>	Male connector, Micro D-Sub, 15-pin, angled				
<b>Connection type head B</b>	Flying leads, 8-wire				
<b>Connection type head C</b>	Flying leads, 8-wire				
<b>Locking plug connector</b>	Screw connection				
<b>Connecting cable</b>	1.7 m, for details see dimensional drawings, PVC and PP				
<b>Cable material</b>	PVC and PP				
<b>Cable color</b>	Black				
<b>Conductor cross section</b>	AWG28, AWG26				
<b>Cable diameter</b>	6.6 mm, 6.2 mm				
<b>Housing material</b>	Plastic/metal				
<b>Housing color</b>	Black				
<b>Locking nut material</b>	Steel				
<b>Width across flats</b>	Slot				
<b>Shielding</b>	Shielded				
<b>Bending radius</b>	<table border="0"> <tr> <td>Flexible use</td> <td>&gt; 10 x cable diameter</td> </tr> <tr> <td>Stationary position</td> <td>&gt; 5 x cable diameter</td> </tr> </table>	Flexible use	> 10 x cable diameter	Stationary position	> 5 x cable diameter
Flexible use	> 10 x cable diameter				
Stationary position	> 5 x cable diameter				
<b>Operating temperature</b>	-25 °C ... +80 °C, stationary position -10 °C ... +80 °C, flexible use				
<b>Description</b>	Y-cable to connect a Flexi Soft Motion Control Module FX3-MOC with two encoders (HTL, TTL, Sin/Cos, SSI).				

#### Certificates

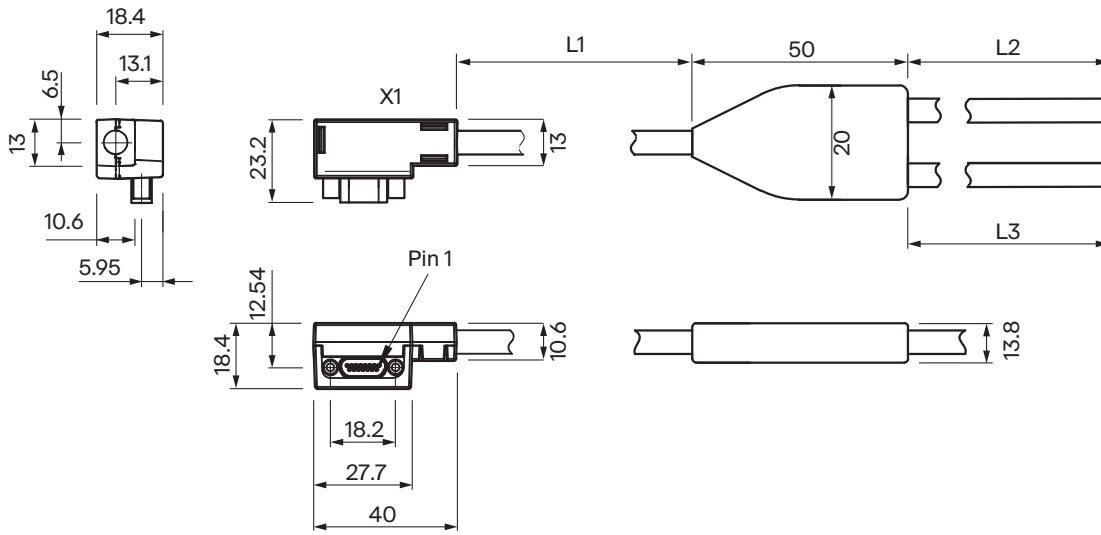
<b>EU declaration of conformity</b>	✓
<b>UK declaration of conformity</b>	✓

#### Classifications

<b>ECLASS 5.0</b>	19030312
<b>ECLASS 5.1.4</b>	19030312
<b>ECLASS 6.0</b>	27060304
<b>ECLASS 6.2</b>	27060304
<b>ECLASS 7.0</b>	27060304

<b>ECLASS 8.0</b>	27060304
<b>ECLASS 8.1</b>	27060304
<b>ECLASS 9.0</b>	27060304
<b>ECLASS 10.0</b>	27060304
<b>ECLASS 11.0</b>	27060304
<b>ECLASS 12.0</b>	27060304
<b>ETIM 5.0</b>	EC000830
<b>ETIM 6.0</b>	EC000830
<b>ETIM 7.0</b>	EC003249
<b>ETIM 8.0</b>	EC003249
<b>UNSPSC 16.0901</b>	26121604

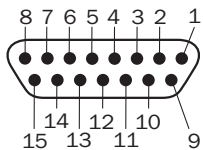
Dimensional drawing And cable lengths L1/L2/L3 (click and scroll down)



Dimensions in mm (inch)

Part no.	L1	L2	L3
2121173	210	1.500	1.500

pin assignment (click and scroll down)



Head A		Head B		Head C	
Male connector, Micro D-Sub, 15-pin		Flying leads, 8-wire		Flying leads, 8-wire	
Head A for connection to FX3-MOC		Head B for connection encoder E1		Head C for connection encoder E2	
Pin	Designation	Wire color	Designation	Wire color	Designation

Head A		Head B		Head C	
1	ENC_A+	Brown	A+ / cos+ / Data+	-	-
2	ENC_B+	Yellow	B+ / sin+	-	-
3	ENC_C+	Pink	Clock+	-	-
4	ENC1_24V	Red	+24 V	-	-
5	ENC2_24V	-	-	Red	+24 V
6	ENC2_C+	-	-	Pink	Clock+
7	ENC2_B+	-	-	Yellow	B+ / sin+
8	ENC2_A+	-	-	Brown	A+ / cos+ / Data+
9	ENC1_A-	White	A- / cos- / Data-	-	-
10	ENC1_B-	Green	B- / sin-	-	-
11	ENC1_C-	Gray	Clock-	-	-
12	ENC_0V	Blue	0 V GND	Blue	0 V GND
13	ENC2_C-	-	-	Gray	Clock-
14	ENC2_B-	-	-	Green	B- / sin-
15	ENC2_A-	-	-	White	A- / cos- / Data-

## SICK AT A GLANCE

SICK is one of the leading manufacturers of intelligent sensors and sensor solutions for industrial applications. A unique range of products and services creates the perfect basis for controlling processes securely and efficiently, protecting individuals from accidents and preventing damage to the environment.

We have extensive experience in a wide range of industries and understand their processes and requirements. With intelligent sensors, we can deliver exactly what our customers need. In application centers in Europe, Asia and North America, system solutions are tested and optimized in accordance with customer specifications. All this makes us a reliable supplier and development partner.

Comprehensive services complete our offering: SICK LifeTime Services provide support throughout the machine life cycle and ensure safety and productivity.

For us, that is “Sensor Intelligence.”

## WORLDWIDE PRESENCE:

Contacts and other locations –[www.sick.com](http://www.sick.com)