



## BEF-AD-G14-R14-PXX SCREW-IN ADAPTER

Flanges and nozzles

**MOUNTING SYSTEMS**

**SICK**  
Sensor Intelligence.



### Ordering information

Type	part no.
BEF-AD-G14-R14-PXX SCREW-IN ADAPTER	2115408

Other models and accessories → [www.sick.com/Flanges\\_and\\_nozzles](http://www.sick.com/Flanges_and_nozzles)

### Detailed technical data

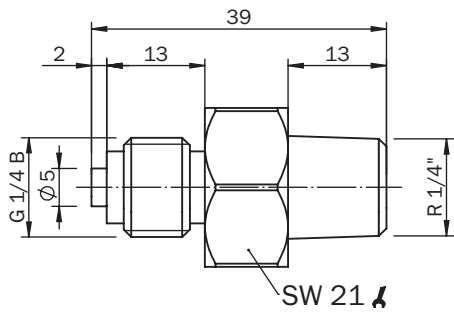
#### Features

<b>Accessory group</b>	Mounting systems
<b>Accessory family</b>	Brackets
<b>Material</b>	Stainless steel 1.4404
<b>Description</b>	Process adapter for pressure sensors with G 1/4" female thread; attachment on sensor side: G 1/4"B (according to EN 837-1) including seal (stainless steel); connection on process side: R 1/4"A (according to ISO 10226); width across flats: 21; pressure resistance according to standard, but max. 600 bar (possible classification according to Pressure Equipment Directive (DGRL) is application-specific and therefore the responsibility of the user/operating entity.)

#### Classifications

<b>ECLASS 5.0</b>	27279202
<b>ECLASS 5.1.4</b>	27279202
<b>ECLASS 6.0</b>	27279202
<b>ECLASS 6.2</b>	27279202
<b>ECLASS 7.0</b>	27279202
<b>ECLASS 8.0</b>	27279202
<b>ECLASS 8.1</b>	27279202
<b>ECLASS 9.0</b>	27273701
<b>ECLASS 10.0</b>	27273701
<b>ECLASS 11.0</b>	27273701
<b>ECLASS 12.0</b>	27273701
<b>ETIM 5.0</b>	EC002615
<b>ETIM 6.0</b>	EC002615
<b>ETIM 7.0</b>	EC002615
<b>ETIM 8.0</b>	EC002615
<b>UNSPSC 16.0901</b>	32131023

### Dimensional drawing



Dimensions in mm (inch)

## SICK AT A GLANCE

SICK is one of the leading manufacturers of intelligent sensors and sensor solutions for industrial applications. A unique range of products and services creates the perfect basis for controlling processes securely and efficiently, protecting individuals from accidents and preventing damage to the environment.

We have extensive experience in a wide range of industries and understand their processes and requirements. With intelligent sensors, we can deliver exactly what our customers need. In application centers in Europe, Asia and North America, system solutions are tested and optimized in accordance with customer specifications. All this makes us a reliable supplier and development partner.

Comprehensive services complete our offering: SICK LifeTime Services provide support throughout the machine life cycle and ensure safety and productivity.

For us, that is “Sensor Intelligence.”

## WORLDWIDE PRESENCE:

Contacts and other locations –[www.sick.com](http://www.sick.com)