



DATA SHEET

YG2A15-050C1BN2A15

Industrial Ethernet cables and fieldbus cables
Connectors and cables

CONNECTORS AND CABLES

YG2A15-050C1B-
N2A15

ORDERING INFORMATION

Type	part no.
YG2A15-050C1BN2A15	2115283

Further device versions and accessories at www.sick.com/Industrial_Ethernet_cables_and_fieldbus_cables



Illustration may differ

DETAILED TECHNICAL DATA

TECHNICAL SPECIFICATIONS

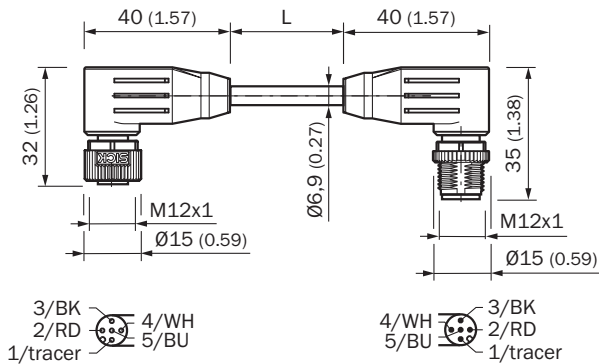
Connection type head A	Female connector, M12, 5-pin, angled, A-coded				
Connection type head B	Male connector, M12, 5-pin, angled, A-coded				
Connector material	TPU				
Connector color	Black				
Locking nut material	Zinc die-cast, nickel-plated				
Tightening torque	0.6 Nm				
Width across flats	13				
Cable	5 m, 5-wire, PUR, halogen-free				
Jacket material	PUR, halogen-free				
Jacket color	Violet				
Cable diameter	6.9 mm				
Conductor cross section	2 x 0.34 mm ² + 2 x 0.25 mm ² + 1 x 0.34 mm ²				
Shielding	Shielded				
Bending radius	<table border="0"> <tr> <td style="padding-right: 20px;">Flexible use</td> <td>> 10 x cable diameter</td> </tr> <tr> <td>Stationary position</td> <td>> 6 x cable diameter</td> </tr> </table>	Flexible use	> 10 x cable diameter	Stationary position	> 6 x cable diameter
Flexible use	> 10 x cable diameter				
Stationary position	> 6 x cable diameter				
Bending cycles	≤ 1,000,000				
Nominal voltage, cable	300 V AC				
Test voltage, cable	2,000 V AC				
Reference voltage	48 V AC 60 V DC				
Traversing speed	5 m/s				
Travelling distance	5 m				

Acceleration	$\leq 3 \text{ m/s}^2$						
Signal type	Fieldbus, CANopen, DeviceNet™						
Transmission characteristics	CANopen, DeviceNet™						
Note	A-coded						
UL File No.	E335179						
Enclosure rating	IP65 / IP66 / IP67						
Specialty	Flame-resistant, self-extinguishing						
Operating temperature	<table border="0"> <tr> <td>Flexible use</td> <td>+30 °C ... +70 °C</td> </tr> <tr> <td>Stationary position</td> <td>-40 °C ... +80 °C</td> </tr> <tr> <td>Head</td> <td>-25 °C ... +85 °C</td> </tr> </table>	Flexible use	+30 °C ... +70 °C	Stationary position	-40 °C ... +80 °C	Head	-25 °C ... +85 °C
Flexible use	+30 °C ... +70 °C						
Stationary position	-40 °C ... +80 °C						
Head	-25 °C ... +85 °C						
Contamination rating	3						
Insulation resistance	> 100 MΩ						
Overvoltage category	III						
Specific insulation resistance	< 30 mΩ						
Thermal resistance, piping	Flame retardant acc. to UL 1581 Section 1090, Section 1100 (FT2) / IEC 60332-1-2						

CERTIFICATES

EU declaration of conformity	✓
UK declaration of conformity	✓
China RoHS	✓
cULus certificate	✓

DIMENSIONAL DRAWING



Dimensions in mm (inch)

Further information as well as suitable accessories, example applications and downloads such as CAD dimensional models, operating instructions and software can be found at www.sick.com/2115283



SICK AG
WALDKIRCH
GERMANY
SICK.COM

SICK AT A GLANCE

SICK is a leading global technology company for intelligent sensors and integrated solutions in industrial automation. Our technologies set benchmarks, making your industrial processes more efficient, safer and more sustainable – both in logistics and manufacturing operations.

SICK combines sensor intelligence with industry expertise and certified consulting services. We provide the ideal foundation for scalable as well as tailor-made automation solutions and create added value along the entire value chain. Our close partnerships with our customers are more than just a promise: Together, we optimize productivity, improve quality, protect health and safety, and help build a sustainable future. All with empathy and trust.

Since 1946, we have been developing innovative technologies with passion and a pioneering spirit. With a global network in around 40 countries, SICK has a global presence and is always close by. The company's headquarters are located in Waldkirch near Freiburg, Germany. Our customers benefit from our understanding of both local and global requirements, which enables us to deliver tailor-made solutions

SICK
Sensor Intelligence