

DATA SHEET

Mounting kit with shock absorber 2

Brackets
Mounting systems

MOUNTING SYSTEMS

Mounting kit with shock absorber 2

ORDERING INFORMATION

Type	part no.
Mounting kit with shock absorber 2	2110804

Further device versions and accessories at www.sick.com/Brackets



DETAILED TECHNICAL DATA

FEATURES

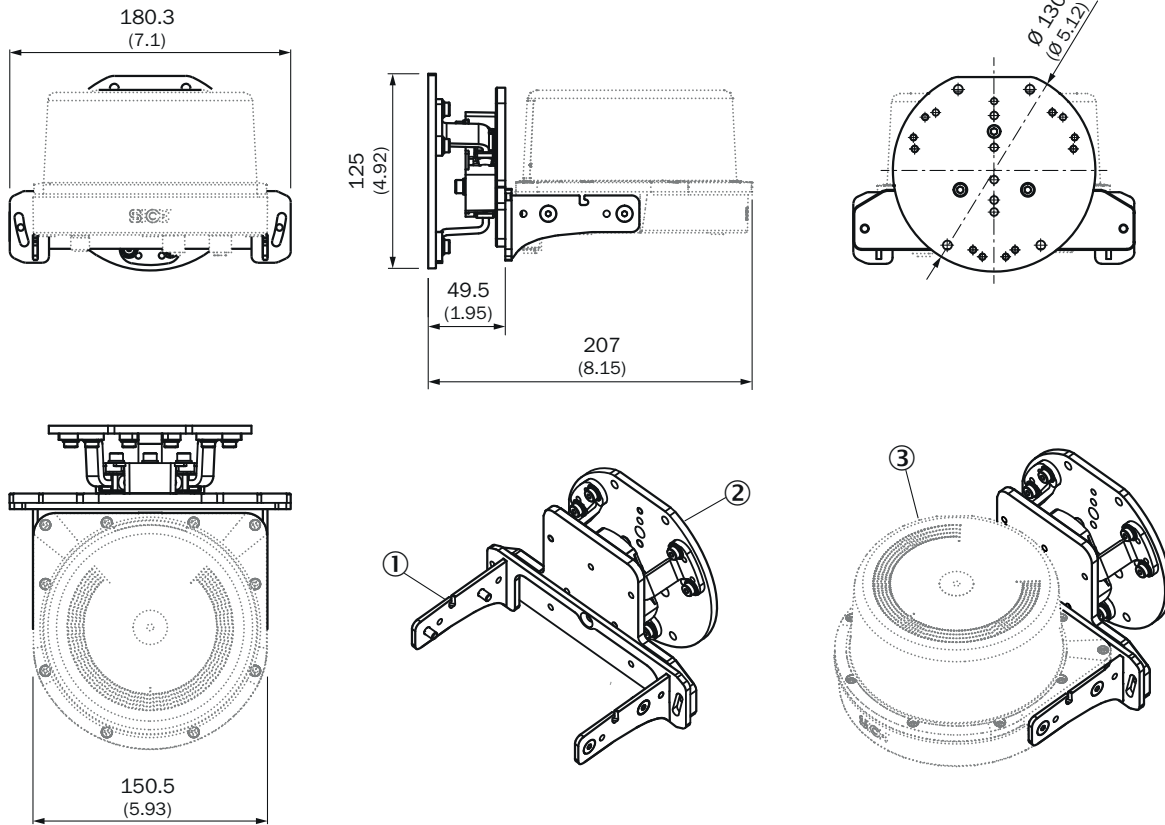
Accessory group	Mounting systems
Accessory family	Brackets
Description	Mounting kit with shock absorber for MRS1000, LMS1000 with an absorber Shore hardness of 85. Only for use without weather protection hood. Always use mounting kit 1a 2093194.
Suitable for	MRS1000, LMS1000
Material	Aluminum (anodised), plastic
Weight	Approx. 900 g
Vibration resistance Sine resonance scan, sine test, noise test	10 Hz, 10 Hz, 10 Hz ... 1,000 Hz, 500 Hz, 250 Hz, 5 g, 4.24 g RMS, 10 frequency cycles, 5 h ^{1) 1) 2)}
Shock resistance	50 g, 11 ms, ± 3 single shocks/axis ³⁾ 25 g, 6 ms, ± 1,000 continuous shocks/axis ³⁾ 50 g, 3 ms, ± 5,000 continuous shocks/axis ³⁾
Mounting system type	Mounting bracket

¹⁾ IEC 60068-2-6:2007.

²⁾ IEC 60068-2-64:2008.

³⁾ IEC 60068-2-27:2008.

DIMENSIONAL DRAWING



Dimensions in mm (inch)

- ① Single mount (2093194), (not included)
- ② Mounting bracket
- ③ MRS1000 / LMS1000 / LRS4000 (not included)

Further information as well as suitable accessories, example applications and downloads such as CAD dimensional models, operating instructions and software can be found at www.sick.com/2110804



SICK AG
WALDKIRCH
GERMANY
SICK.COM

SICK AT A GLANCE

SICK is a leading global technology company for intelligent sensors and integrated solutions in industrial automation. Our technologies set benchmarks, making your industrial processes more efficient, safer and more sustainable – both in logistics and manufacturing operations.

SICK combines sensor intelligence with industry expertise and certified consulting services. We provide the ideal foundation for scalable as well as tailor-made automation solutions and create added value along the entire value chain. Our close partnerships with our customers are more than just a promise: Together, we optimize productivity, improve quality, protect health and safety, and help build a sustainable future. All with empathy and trust.

Since 1946, we have been developing innovative technologies with passion and a pioneering spirit. With a global network in around 40 countries, SICK has a global presence and is always close by. The company's headquarters are located in Waldkirch near Freiburg, Germany. Our customers benefit from our understanding of both local and global requirements, which enables us to deliver tailor-made solutions

SICK
Sensor Intelligence