

SICK.COM



DATA SHEET

# Mounting kit

Brackets  
Mounting systems

**SICK** Sensor Intelligence

**MOUNTING SYSTEMS**

# Mounting kit

**ORDERING INFORMATION**

Type	part no.
Mounting kit	2102121

Further device versions and accessories at [www.sick.com/Brackets](http://www.sick.com/Brackets)

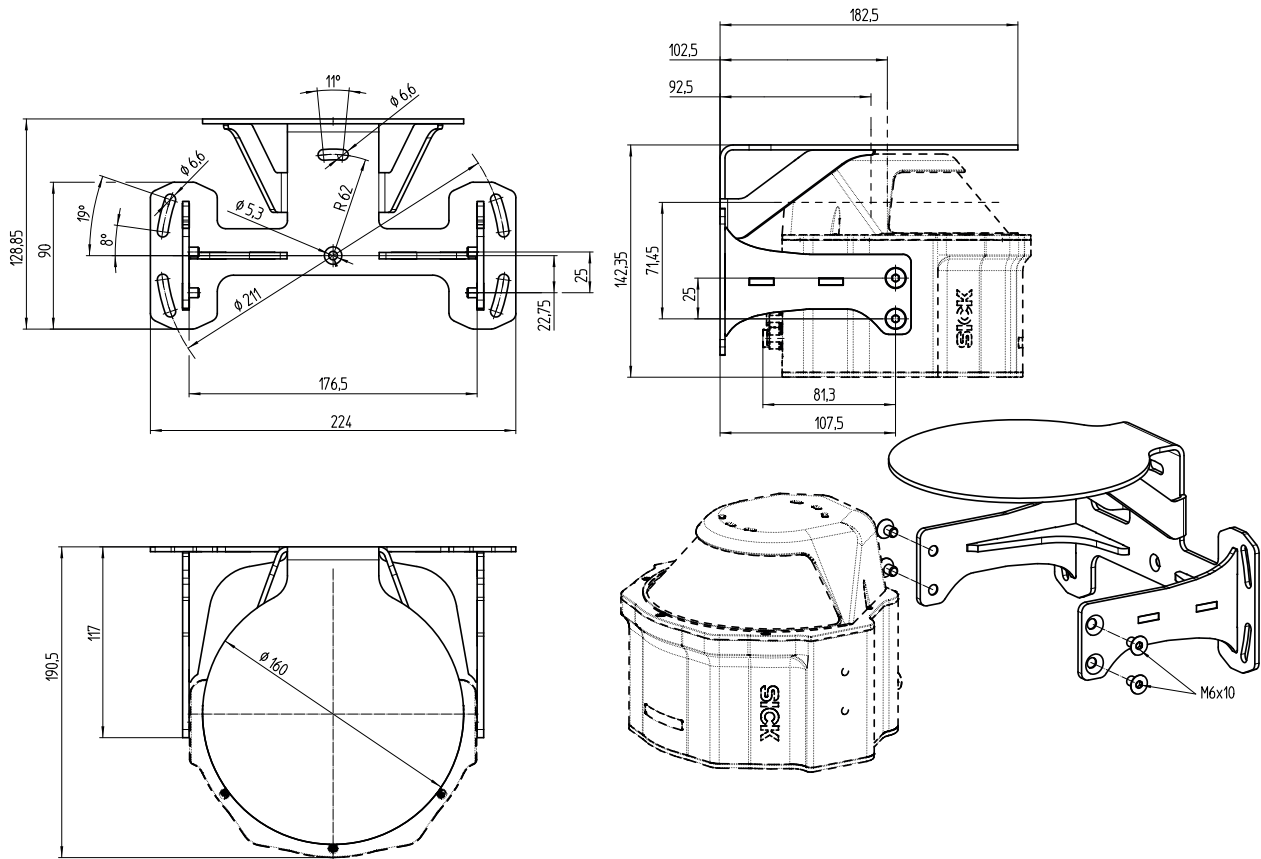


**DETAILED TECHNICAL DATA**

**FEATURES**

Accessory group	Mounting systems
Accessory family	Brackets
Description	MRS6000 bracket for impact protection
Suitable for	MRS6000
Material	Stainless steel
Items supplied	Mounting hardware included
Dimensions (W x H x L)	224 mm x 129 mm x 183 mm
Weight	1.3 kg
Mounting system type	Mounting bracket

**DIMENSIONAL DRAWING**



Dimensions in mm (inch)

Further information as well as suitable accessories, example applications and downloads such as CAD dimensional models, operating instructions and software can be found at [www.sick.com/2102121](http://www.sick.com/2102121)



SICK AG  
WALDKIRCH  
GERMANY  
SICK.COM

# SICK AT A GLANCE

SICK is a leading global technology company for intelligent sensors and integrated solutions in industrial automation. Our technologies set benchmarks, making your industrial processes more efficient, safer and more sustainable – both in logistics and manufacturing operations.

SICK combines sensor intelligence with industry expertise and certified consulting services. We provide the ideal foundation for scalable as well as tailor-made automation solutions and create added value along the entire value chain. Our close partnerships with our customers are more than just a promise: Together, we optimize productivity, improve quality, protect health and safety, and help build a sustainable future. All with empathy and trust.

Since 1946, we have been developing innovative technologies with passion and a pioneering spirit. With a global network in around 40 countries, SICK has a global presence and is always close by. The company's headquarters are located in Waldkirch near Freiburg, Germany. Our customers benefit from our understanding of both local and global requirements, which enables us to deliver tailor-made solutions

**SICK**  
Sensor Intelligence