

DATA SHEET

# Weather protection hood 275° with mounting kit 1a

Protective caps and hoods  
Device protection and care

**SICK** Sensor Intelligence

## DEVICE PROTECTION AND CARE

# Weather protection hood 275° with mounting kit 1a



### ORDERING INFORMATION

Type	part no.
Weather protection hood 275° with mounting kit 1a	<a href="#">2085938</a>

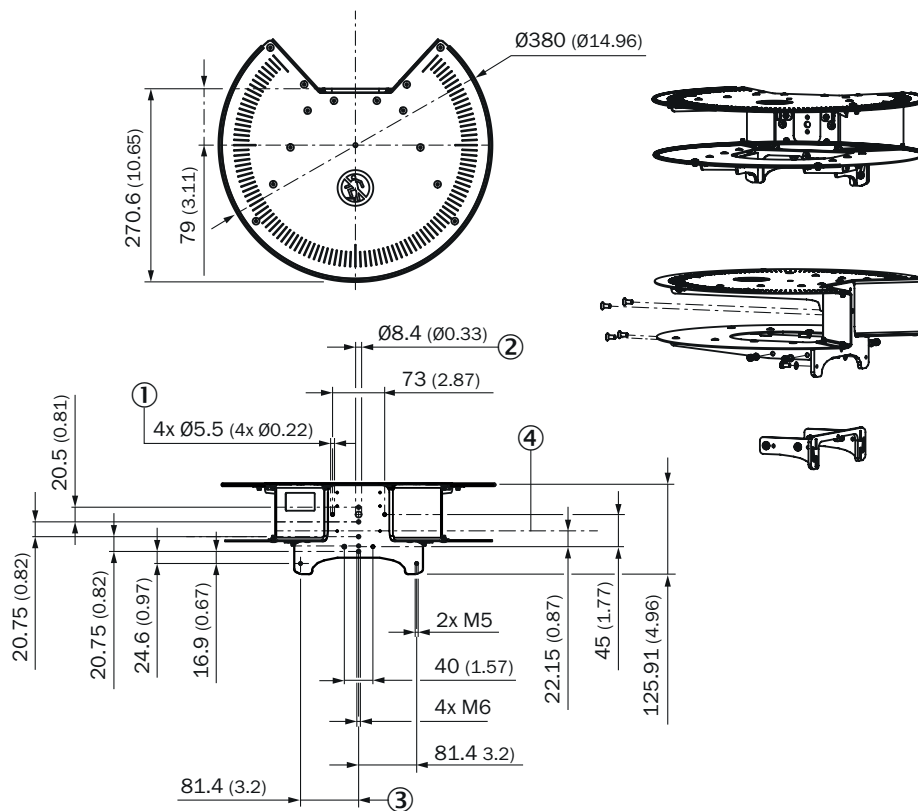
Further device versions and accessories at [www.sick.com/Protective\\_caps\\_and\\_hoods](http://www.sick.com/Protective_caps_and_hoods)

## DETAILED TECHNICAL DATA

### FEATURES

Product segment	Device protection and care
Product	Protective caps and hoods
Description	Optics cover for protecting the front screen from weather conditions
Suitable for	LMS1000, MRS1000, LRS4000
Items supplied	1 x weather protection hood and 1 x mounting kit 1a (2093194), 4 M5 x 6 cylinder head screws with washers, 4 x M5 x 12 countersunk screws, 2 x cylinder head screws, M5 x 10 cap screws with washers, 4 x M5 x 10 countersunk screws
Material	Aluminum, Stainless steel V2A
Weight	1,850 g

**DIMENSIONAL DRAWING**



Dimensions in mm (inch)

- ① Depression for hexagon screw ISO 10642 - M5 for general mounting (as well as part 2076764 and part 2079939)
- ② Rotation point for cylinder pin  $\varnothing$  8.2 mm (part 2079939)
- ③ M6 thread (2046025 mounting kit for weather protection hood, 2046989 mounting kit for quick release)
- ④ Scan plane 0°

Further information as well as suitable accessories, example applications and downloads such as CAD dimensional models, operating instructions and software can be found at [www.sick.com/2085938](http://www.sick.com/2085938)



SICK AG  
WALDKIRCH  
GERMANY  
SICK.COM

# SICK AT A GLANCE

SICK is a leading global technology company for intelligent sensors and integrated solutions in industrial automation. Our technologies set benchmarks, making your industrial processes more efficient, safer and more sustainable – both in logistics and manufacturing operations.

SICK combines sensor intelligence with industry expertise and certified consulting services. We provide the ideal foundation for scalable as well as tailor-made automation solutions and create added value along the entire value chain. Our close partnerships with our customers are more than just a promise: Together, we optimize productivity, improve quality, protect health and safety, and help build a sustainable future. All with empathy and trust.

Since 1946, we have been developing innovative technologies with passion and a pioneering spirit. With a global network in around 40 countries, SICK has a global presence and is always close by. The company's headquarters are located in Waldkirch near Freiburg, Germany. Our customers benefit from our understanding of both local and global requirements, which enables us to deliver tailor-made solutions

**SICK**  
Sensor Intelligence