

DATA SHEET

# Adapter plate

Brackets  
Mounting systems

## MOUNTING SYSTEMS

## Adapter plate

## ORDERING INFORMATION

Type	part no.
Adapter plate	<a href="#">2085937</a>

Further device versions and accessories at [www.sick.com/Brackets](http://www.sick.com/Brackets)

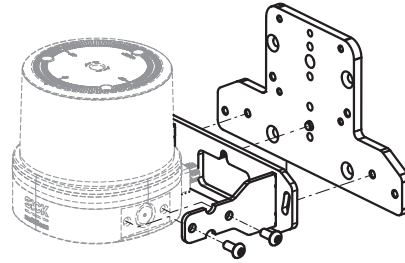
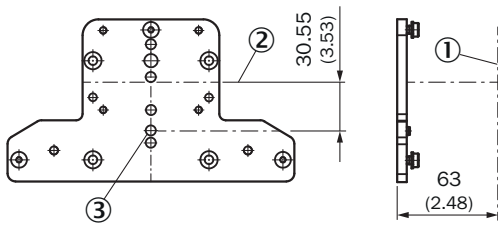


## DETAILED TECHNICAL DATA

## FEATURES

Accessory group	Mounting systems
Accessory family	Brackets
Description	Adapter plate for mounting the sensor to accessory components Adapter plate for ICL80
Suitable for	LRS4000, LMS1xx, LMS1000, MRS1000, multiScan100
Material	Aluminum (anodised)
Items supplied	Adapter plate 3 x cylinder head screws with M5 x 8 washers
Dimensions (W x H x L)	180.3 mm x 6 mm x 124.5 mm
Weight	190 g
Mounting system type	Adaptor

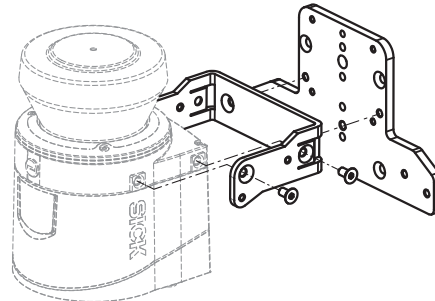
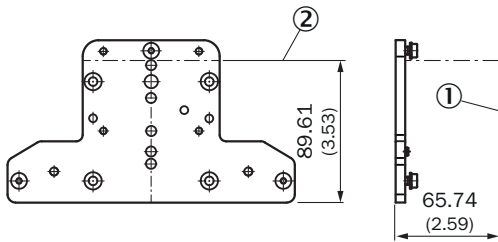
**DIMENSIONAL DRAWING**



Dimensions in mm (inch)  
 Adapter plate with multiScan bracket

- ① Scan axis
- ② Scan axis 0°
- ③ Rotation axis

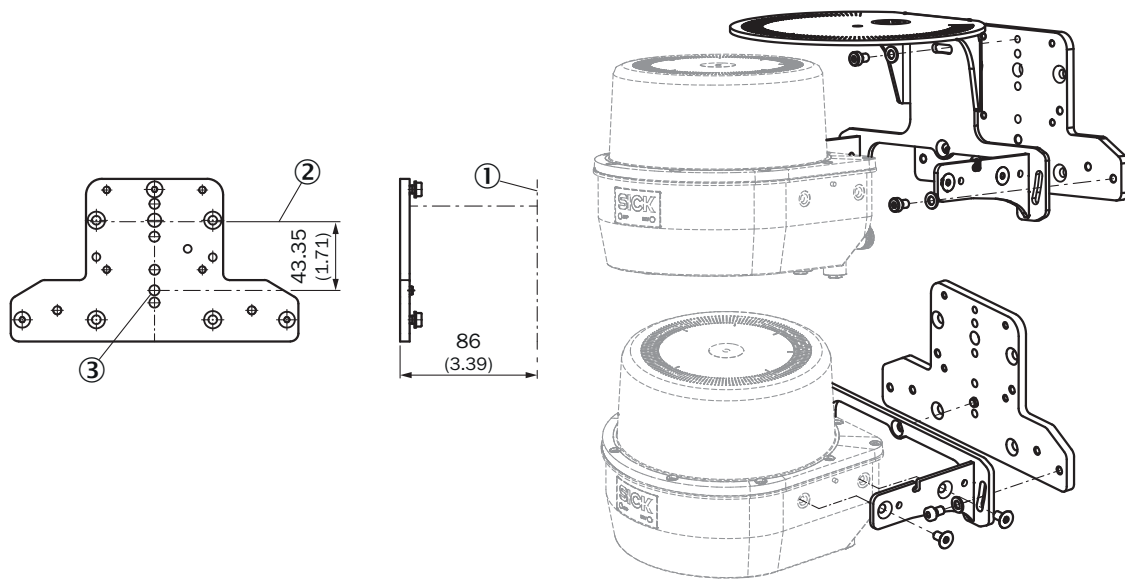
**DIMENSIONAL DRAWING**



Dimensions in mm (inch)  
 Adapter plate with LMS1xx simple bracket

- ① Scan axis
- ② Scan axis 0°

**DIMENSIONAL DRAWING**

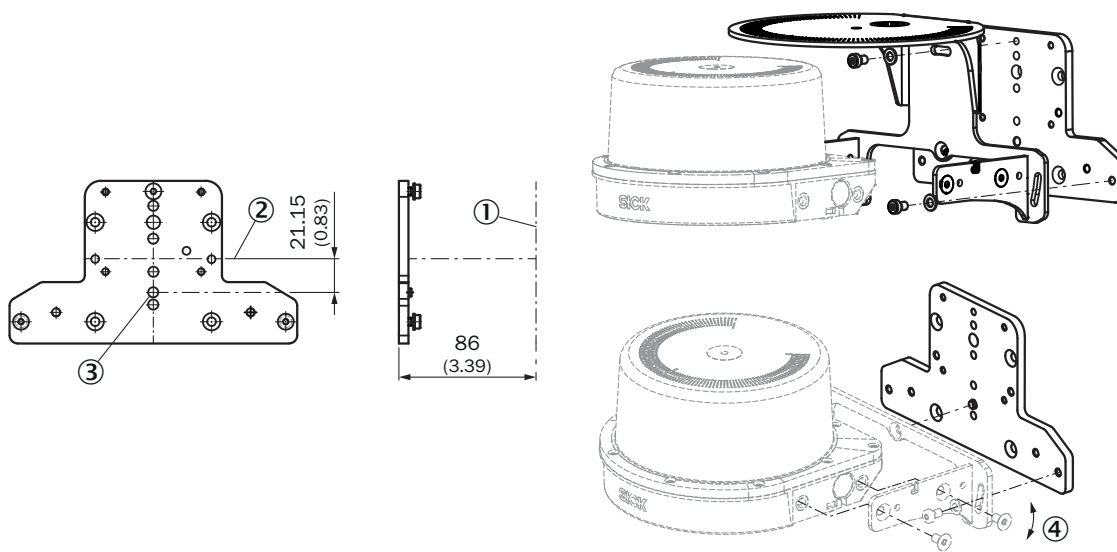


Dimensions in mm (inch)

Adapter plate with LRS4xxx weather protection

- ① Scan axis
- ② Scan axis 0°
- ③ Rotation axis

## DIMENSIONAL DRAWING



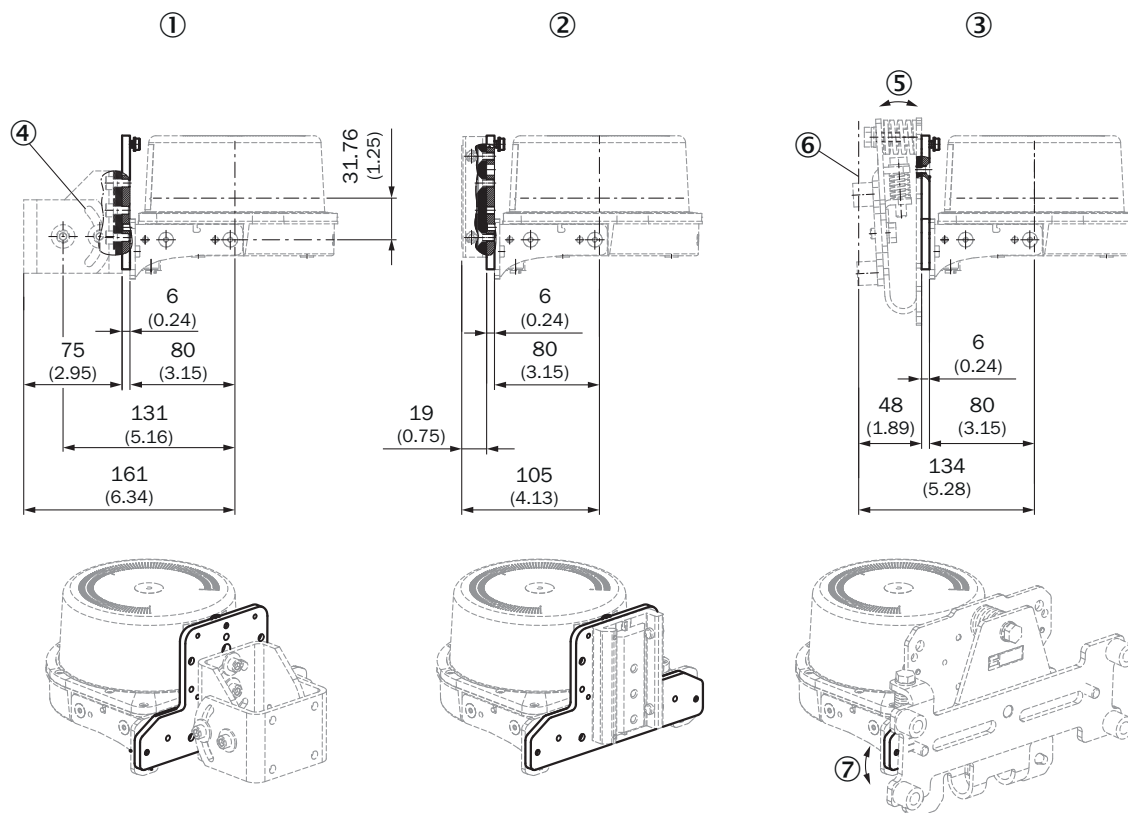
Dimensions in mm (inch)

Adapter plate with LMS/MRS1xxx weather protection

- ① Scan axis
- ② Scan axis 0°
- ③ Rotation axis
- ④ Adjustment angle +/- 5.5°

# MOUNTING SYSTEMS - ADAPTER PLATE

## DIMENSIONAL DRAWING



Dimensions in mm (inch)

Adapter plate with accessories: quick release, mounting bracket, fine adjustment bracket

① Mounting bracket (2046025) not included with delivery!

② Quick release (2046989) not included with delivery!

③ Fine adjustment bracket (2076764) not included with delivery!

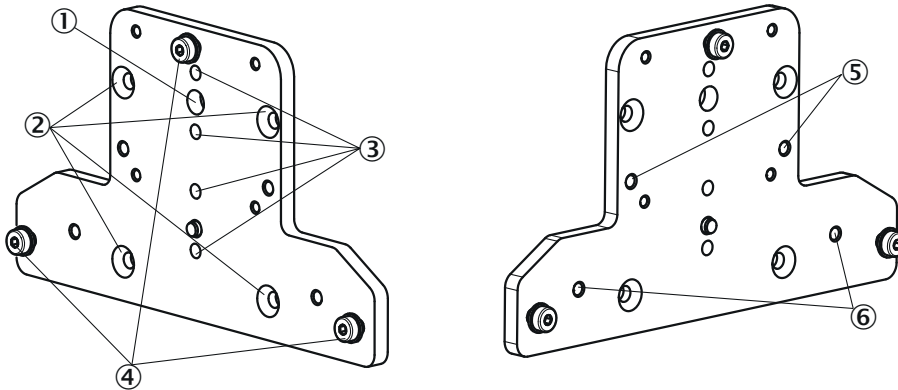
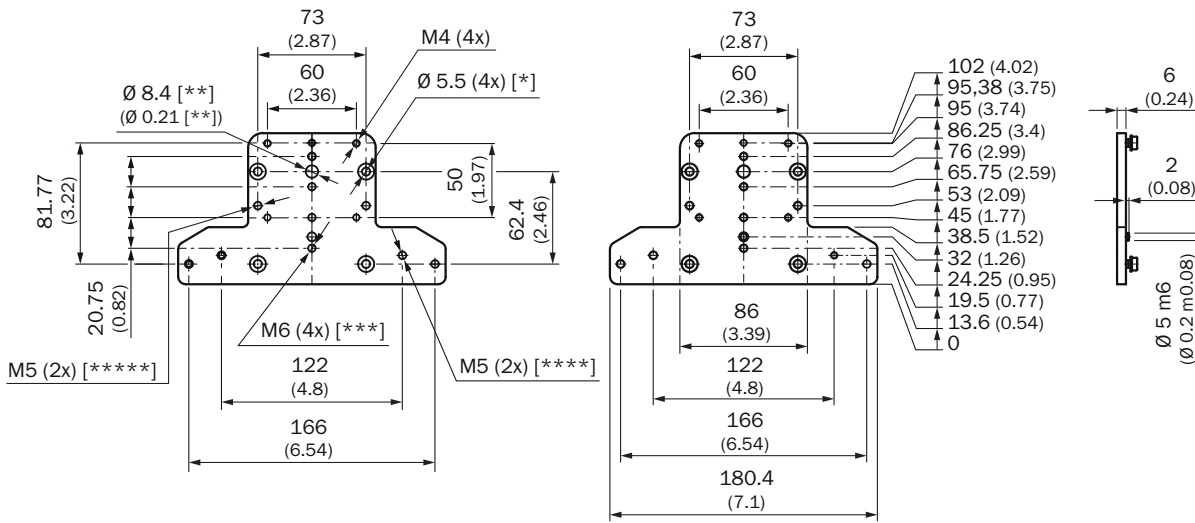
④ Adjustment angle  $\pm 45^\circ$

⑤ Adjustment angle  $\pm 2^\circ$

⑥ Measurement in  $0^\circ$  setting

⑦ Adjustment angle  $+ 2^\circ / - 3^\circ$

**DIMENSIONAL DRAWING**



Dimensions in mm (inch)

Adapter plate

- ① Post bracket (2079939)
- ② Post bracket (2079939)
- ③ Mounting kit for weather protection hood (2046025), mounting kit for quick release (2046989)
- ④ 3x cylinder head screws with M5 x 8 washers, DIN125-A2
- ⑤ Mounting kit 1a (2034324)
- ⑥ Simple bracket (2128226), adjustment bracket (2124591)

Further information as well as suitable accessories, example applications and downloads such as CAD dimensional models, operating instructions and software can be found at [www.sick.com/2085937](http://www.sick.com/2085937)



SICK AG  
WALDKIRCH  
GERMANY  
SICK.COM

# SICK AT A GLANCE

SICK is a leading global technology company for intelligent sensors and integrated solutions in industrial automation. Our technologies set benchmarks, making your industrial processes more efficient, safer and more sustainable – both in logistics and manufacturing operations.

SICK combines sensor intelligence with industry expertise and certified consulting services. We provide the ideal foundation for scalable as well as tailor-made automation solutions and create added value along the entire value chain. Our close partnerships with our customers are more than just a promise: Together, we optimize productivity, improve quality, protect health and safety, and help build a sustainable future. All with empathy and trust.

Since 1946, we have been developing innovative technologies with passion and a pioneering spirit. With a global network in around 40 countries, SICK has a global presence and is always close by. The company's headquarters are located in Waldkirch near Freiburg, Germany. Our customers benefit from our understanding of both local and global requirements, which enables us to deliver tailor-made solutions

**SICK**  
Sensor Intelligence