



DATA SHEET

## Mounting kit 1b

Brackets  
Mounting systems

## MOUNTING SYSTEMS

## Mounting kit 1b

## ORDERING INFORMATION

Type	part no.
Mounting kit 1b	<a href="#">2085935</a>

Further device versions and accessories at [www.sick.com/Brackets](http://www.sick.com/Brackets)



Illustration may differ

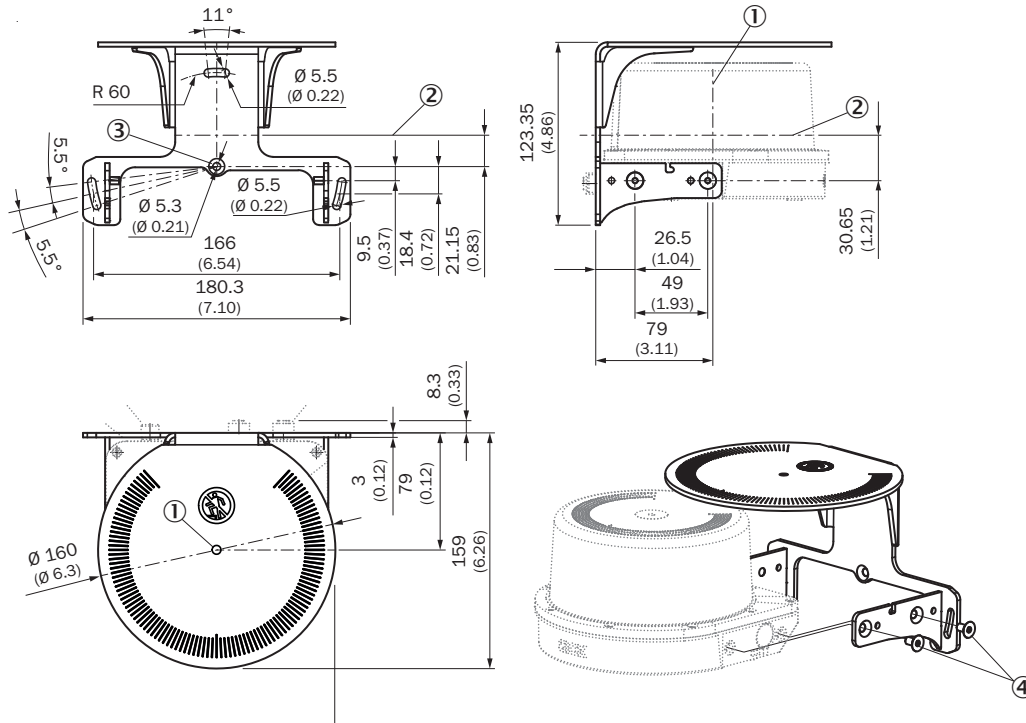
## DETAILED TECHNICAL DATA

## FEATURES

Accessory group	Mounting systems
Accessory family	Brackets
Description	Simple mounting bracket with protective cover. Degree of freedom in Y: 11°.
Suitable for	MRS1000, LMS1000, LRS4000
Material	Aluminum, powder coated
Items supplied	Mounting kit 1b 4 x M5 x 10 countersunk screws, stainless steel
Weight	785 g
Tightening torque	M5 max. 5 Nm
Mounting system type	Mounting bracket

**DIMENSIONAL DRAWING**

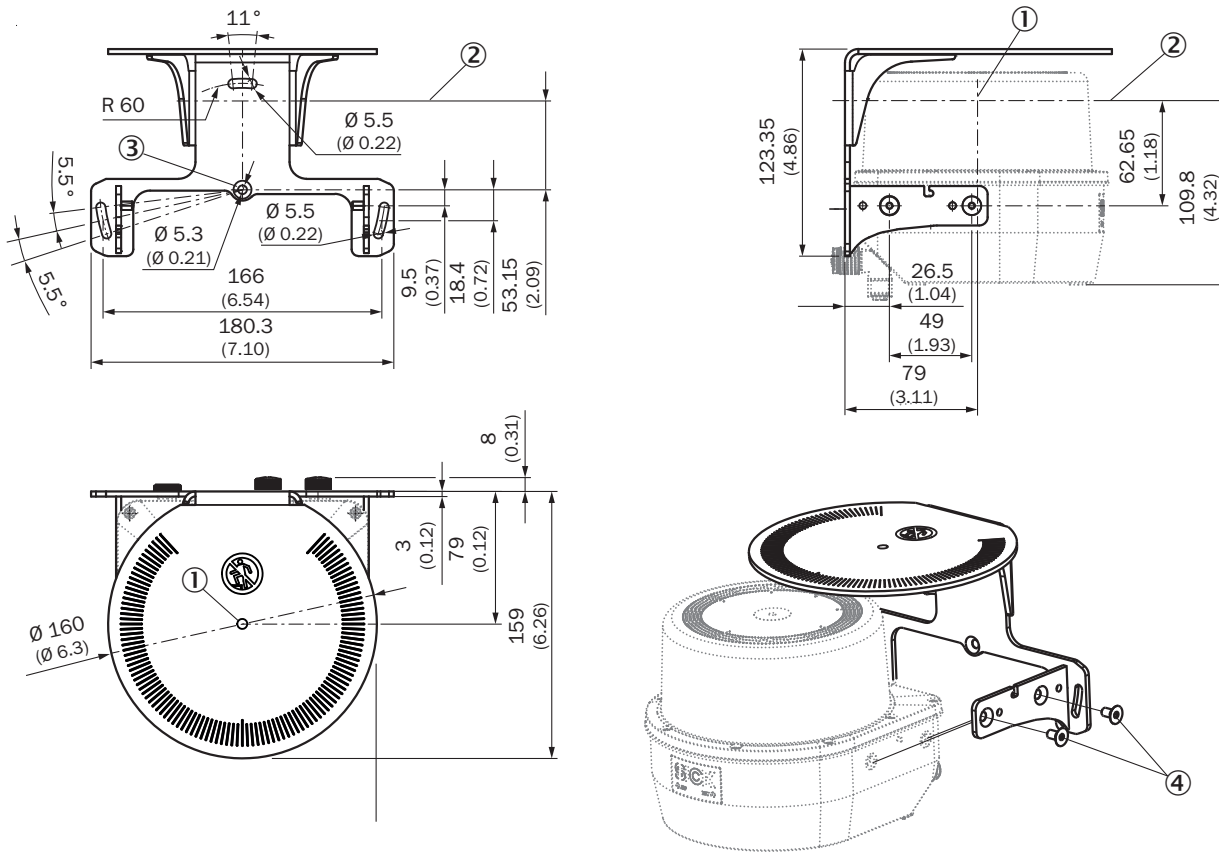
①



Dimensions in mm (inch)

- ① Scan axis 0°
- ② Scan plane 0°
- ③ Rotation axis
- ④ 4 x M5 countersunk screws (included with delivery), tightening torque: max. 5.0 Nm

**DIMENSIONAL DRAWING**



Dimensions in mm (inch)

- ① Scan axis 0°
- ② Scan plane 0°
- ③ Rotation axis
- ④ 4 x M5 countersunk screws (included with delivery), tightening torque: max. 5.0 Nm

Further information as well as suitable accessories, example applications and downloads such as CAD dimensional models, operating instructions and software can be found at [www.sick.com/2085935](http://www.sick.com/2085935)



SICK AG  
WALDKIRCH  
GERMANY  
SICK.COM

# SICK AT A GLANCE

SICK is a leading global technology company for intelligent sensors and integrated solutions in industrial automation. Our technologies set benchmarks, making your industrial processes more efficient, safer and more sustainable – both in logistics and manufacturing operations.

SICK combines sensor intelligence with industry expertise and certified consulting services. We provide the ideal foundation for scalable as well as tailor-made automation solutions and create added value along the entire value chain. Our close partnerships with our customers are more than just a promise: Together, we optimize productivity, improve quality, protect health and safety, and help build a sustainable future. All with empathy and trust.

Since 1946, we have been developing innovative technologies with passion and a pioneering spirit. With a global network in around 40 countries, SICK has a global presence and is always close by. The company's headquarters are located in Waldkirch near Freiburg, Germany. Our customers benefit from our understanding of both local and global requirements, which enables us to deliver tailor-made solutions

**SICK**  
Sensor Intelligence