



## SP1-1000

System plugs deTec and deTem

SYSTEM PLUGS AND EXTENSION MODULES

**SICK**  
Sensor Intelligence.



Illustration may differ

### Ordering information

Type	part no.
SP1-1000	2076832

Other models and accessories → [www.sick.com/System\\_plugs\\_deTec\\_and\\_deTem](http://www.sick.com/System_plugs_deTec_and_deTem)



### Detailed technical data

#### Features

<b>Compatible devices</b>	deTec4, deTem4, deTem4 A/P
<b>Function range</b>	SP1
<b>System connection</b>	Plug, M12, 5-pin
<b>Extension connection</b>	Without extension connection
<b>Configuration method</b>	DIP switch
<b>Items supplied</b>	System plug

#### Functions

<b>Protective operation</b>	✓
<b>Automatic calibration of the protective field width</b>	✓

#### Interfaces

<b>PIN assignment</b>	See table in "Pin assignment" graphic
<b>System connection</b>	Plug, M12, 5-pin
Length of cable	200 mm
Cable diameter	5 mm
<b>Extension connection</b>	Without extension connection

#### Electronics

<b>Protection class</b>	III (IEC 61140)
<b>Supply voltage <math>V_S</math></b>	24 V DC (19.2 V ... 28.8 V)
<b>Ripple</b>	≤ 10 %

#### Ambient data

<b>Ambient operating temperature</b>	-30 °C ... +55 °C
<b>Storage temperature</b>	-30 °C ... +70 °C
<b>Air humidity</b>	15 % ... 95 %, Non-condensing
<b>Vibration resistance</b>	5 g, 10 Hz ... 55 Hz (IEC 60068-2-6)
<b>Shock resistance</b>	10 g, 16 ms (IEC 60068-2-27)

#### Classifications

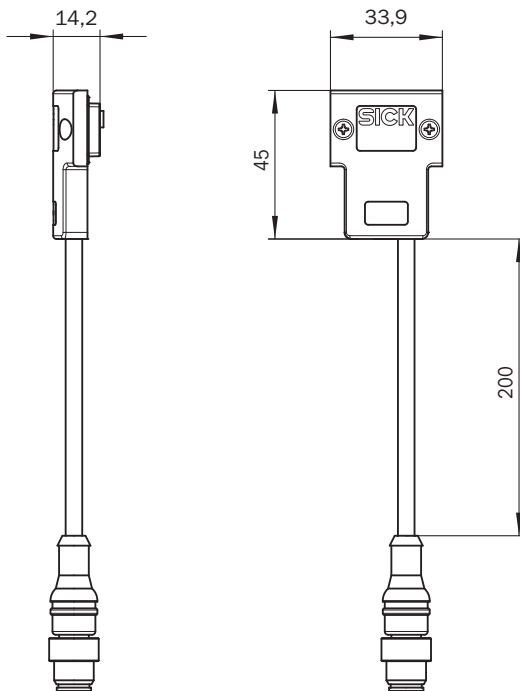
<b>ECLASS 5.0</b>	27272790
-------------------	----------

<b>ECLASS 5.1.4</b>	27272790
<b>ECLASS 6.0</b>	27272790
<b>ECLASS 6.2</b>	27272790
<b>ECLASS 7.0</b>	27272790
<b>ECLASS 8.0</b>	27272790
<b>ECLASS 8.1</b>	27272790
<b>ECLASS 9.0</b>	27272792
<b>ECLASS 10.0</b>	27272792
<b>ECLASS 11.0</b>	27272792
<b>ECLASS 12.0</b>	27272792
<b>ETIM 5.0</b>	EC011349
<b>ETIM 6.0</b>	EC011349
<b>ETIM 7.0</b>	EC011349
<b>ETIM 8.0</b>	EC011349
<b>UNSPSC 16.0901</b>	46171620

### Certificates

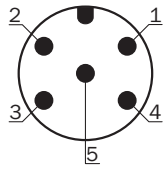
<b>EU declaration of conformity</b>	✓
-------------------------------------	---

### Dimensional drawing SP1-1200



Dimensions in mm (inch)

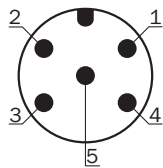
### Pinouts deTem4 A/P system connection



Pin	Active unit
1	+24 V DC
2	OSSD1
3	0 V DC
4	OSSD2
5	N. c.

For details see operating instructions

### Pinouts deTec4 system connection




Pin	Sender	Receiver
1	+24 V DC	+24 V DC
2	In2Laser alignment aid button	OSSD1
3	0 V DC	0 V DC
4	In1Laser alignment aid switch	OSSD2
5	MFP1	MFP1

For details see operating instructions

### Recommended accessories

Other models and accessories → [www.sick.com/System\\_plugs\\_deTec\\_and\\_deTem](http://www.sick.com/System_plugs_deTec_and_deTem)

	Brief description	Type	part no.
connectors and cables			
	<ul style="list-style-type: none"> <li><b>Description:</b> Unshielded</li> <li><b>Connection type head A:</b> Female connector, M12, 5-pin, A-coded</li> <li><b>Connection type head B:</b> Female connector, M12, 5-pin, A-coded</li> <li><b>Connection type head C:</b> Male connector, M12, 5-pin, A-coded</li> </ul>	DSC-1205T000025KMC	6030664

## SICK AT A GLANCE

SICK is one of the leading manufacturers of intelligent sensors and sensor solutions for industrial applications. A unique range of products and services creates the perfect basis for controlling processes securely and efficiently, protecting individuals from accidents and preventing damage to the environment.

We have extensive experience in a wide range of industries and understand their processes and requirements. With intelligent sensors, we can deliver exactly what our customers need. In application centers in Europe, Asia and North America, system solutions are tested and optimized in accordance with customer specifications. All this makes us a reliable supplier and development partner.

Comprehensive services complete our offering: SICK LifeTime Services provide support throughout the machine life cycle and ensure safety and productivity.

For us, that is “Sensor Intelligence.”

## WORLDWIDE PRESENCE:

Contacts and other locations –[www.sick.com](http://www.sick.com)