

SICK.COM



DATA SHEET

BEF-KHS-N02NS02

Brackets
Mounting systems

SICK Sensor Intelligence

MOUNTING SYSTEMS

BEF-KHS-N02NS02

ORDERING INFORMATION

Type	part no.
BEF-KHS-N02NS02	2071968

Further device versions and accessories at www.sick.com/Brackets



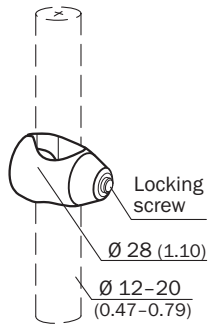
Illustration may differ

DETAILED TECHNICAL DATA

FEATURES

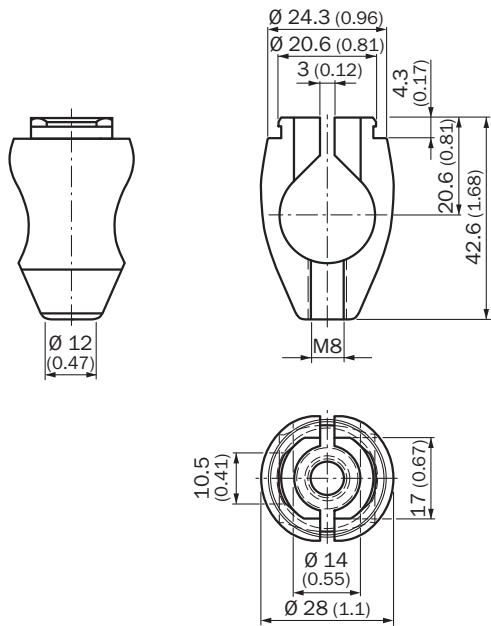
Accessory group	Mounting systems
Accessory family	Brackets
Description	Corresponds to BEF-KHS-N02N, but with modified clamping bracket BEF-KHS-KH1
Material	Stainless steel 1.4571 (sheet), Zinc plated steel (clamp)
Items supplied	Universal clamp (2022726), mounting hardware
Usable for	W4S-3 Inox W4S-3 Inox Glass W9 W11-2 W12-3 W12-2 Laser W12G W12 Teflon W16 W250 W250-2 PowerProx W11G-2 TranspaTect UC12 P250 G6 Inox W4SL-3V W4SLG-3V W4SL-3H
Mounting system type	Mounting plate

DIMENSIONAL DRAWING



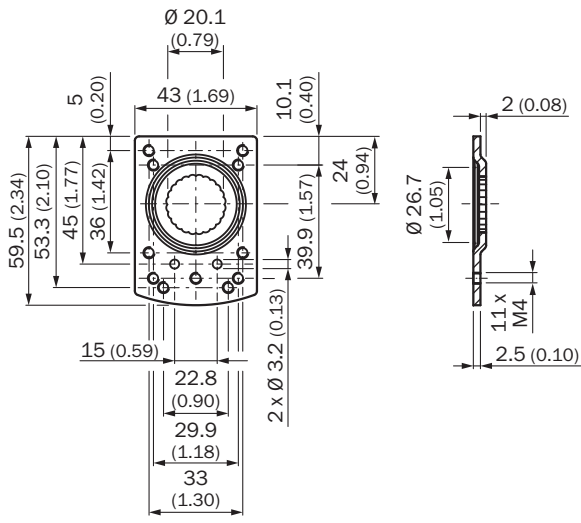
Dimensions in mm (inch)

DIMENSIONAL DRAWING



Dimensions in mm (inch)

DIMENSIONAL DRAWING



Dimensions in mm (inch)

Further information as well as suitable accessories, example applications and downloads such as CAD dimensional models, operating instructions and software can be found at www.sick.com/2071968



SICK AG
WALDKIRCH
GERMANY
SICK.COM

SICK AT A GLANCE

SICK is a leading global technology company for intelligent sensors and integrated solutions in industrial automation. Our technologies set benchmarks, making your industrial processes more efficient, safer and more sustainable – both in logistics and manufacturing operations.

SICK combines sensor intelligence with industry expertise and certified consulting services. We provide the ideal foundation for scalable as well as tailor-made automation solutions and create added value along the entire value chain. Our close partnerships with our customers are more than just a promise: Together, we optimize productivity, improve quality, protect health and safety, and help build a sustainable future. All with empathy and trust.

Since 1946, we have been developing innovative technologies with passion and a pioneering spirit. With a global network in around 40 countries, SICK has a global presence and is always close by. The company's headquarters are located in Waldkirch near Freiburg, Germany. Our customers benefit from our understanding of both local and global requirements, which enables us to deliver tailor-made solutions

SICK
Sensor Intelligence