

SICK.COM

The SICK logo is displayed in a bold, blue, sans-serif font. It is centered within a white rectangular box, which is itself centered on a light gray background.

DATA SHEET

IVCP-H05

Protective caps and hoods
Device protection and care

The SICK logo is shown in a large, bold, blue, sans-serif font. To its right, the words "Sensor Intelligence" are written in a smaller, blue, sans-serif font.

DEVICE PROTECTION AND CARE

IVCP-H05

ORDERING INFORMATION

Type	part no.
IVCP-H05	2055449

Further device versions and accessories at www.sick.com/Protective_caps_and_hoods

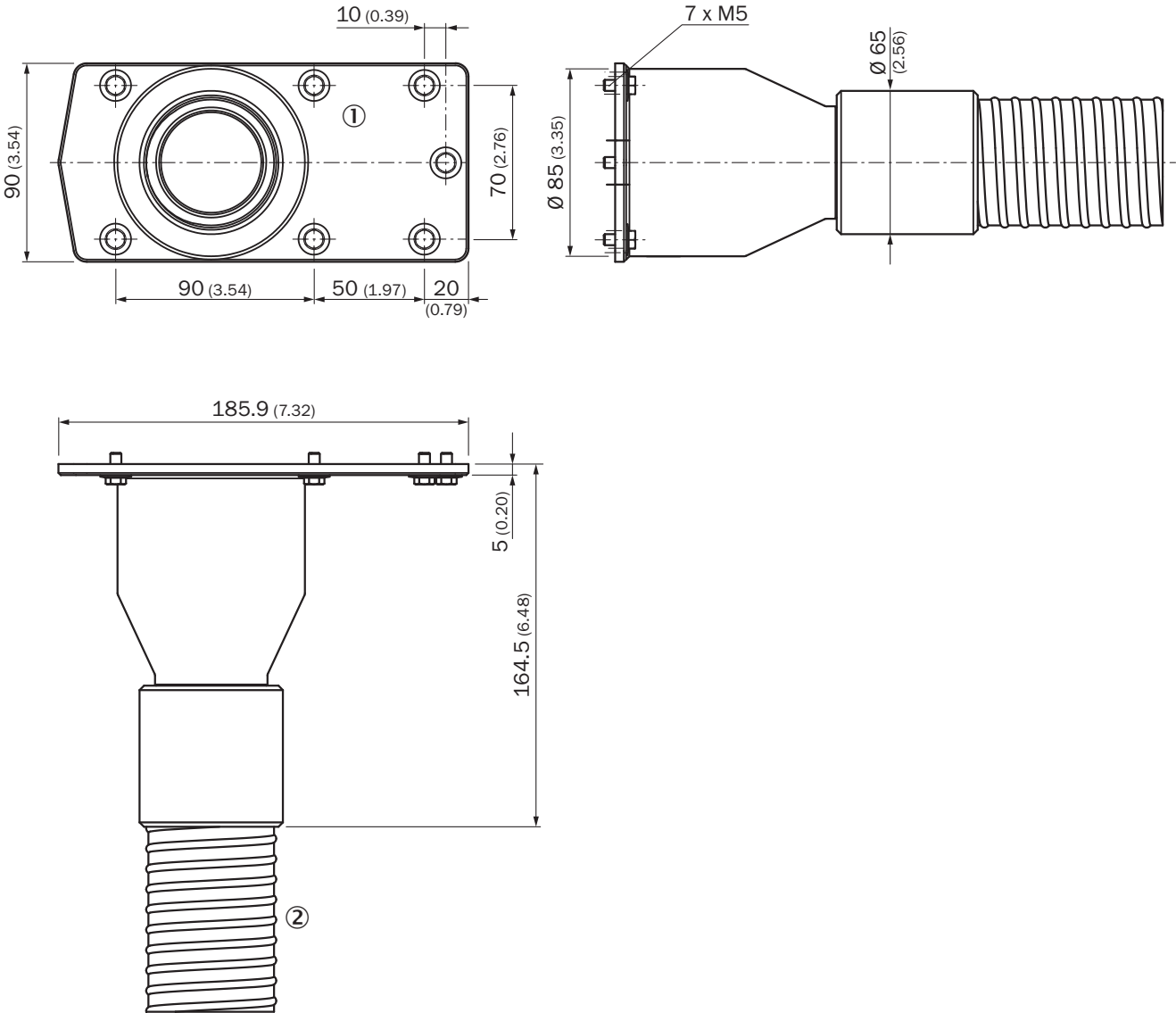
The SICK logo is displayed in a large, bold, blue font on a white rectangular background, which is centered within a larger light gray square.

DETAILED TECHNICAL DATA

FEATURES

Product segment	Device protection and care
Product	Protective caps and hoods
Description	Protective hose 5 m, with adapter plate

DIMENSIONAL DRAWING



Dimensions in mm (inch)

- ① Adapter plate
- ② Protective hose

Further information as well as suitable accessories, example applications and downloads such as CAD dimensional models, operating instructions and software can be found at www.sick.com/2055449



SICK AG
WALDKIRCH
GERMANY
SICK.COM

SICK AT A GLANCE

SICK is a leading global technology company for intelligent sensors and integrated solutions in industrial automation. Our technologies set benchmarks, making your industrial processes more efficient, safer and more sustainable – both in logistics and manufacturing operations.

SICK combines sensor intelligence with industry expertise and certified consulting services. We provide the ideal foundation for scalable as well as tailor-made automation solutions and create added value along the entire value chain. Our close partnerships with our customers are more than just a promise: Together, we optimize productivity, improve quality, protect health and safety, and help build a sustainable future. All with empathy and trust.

Since 1946, we have been developing innovative technologies with passion and a pioneering spirit. With a global network in around 40 countries, SICK has a global presence and is always close by. The company's headquarters are located in Waldkirch near Freiburg, Germany. Our customers benefit from our understanding of both local and global requirements, which enables us to deliver tailor-made solutions

SICK
Sensor Intelligence