



Mounting kit 3

Brackets

MOUNTING SYSTEMS

SICK
Sensor Intelligence.



Illustration may differ

Ordering information

| Type | part no. |
|----------------|----------|
| Mounting kit 3 | 2015625 |

Other models and accessories → www.sick.com/Brackets

Detailed technical data

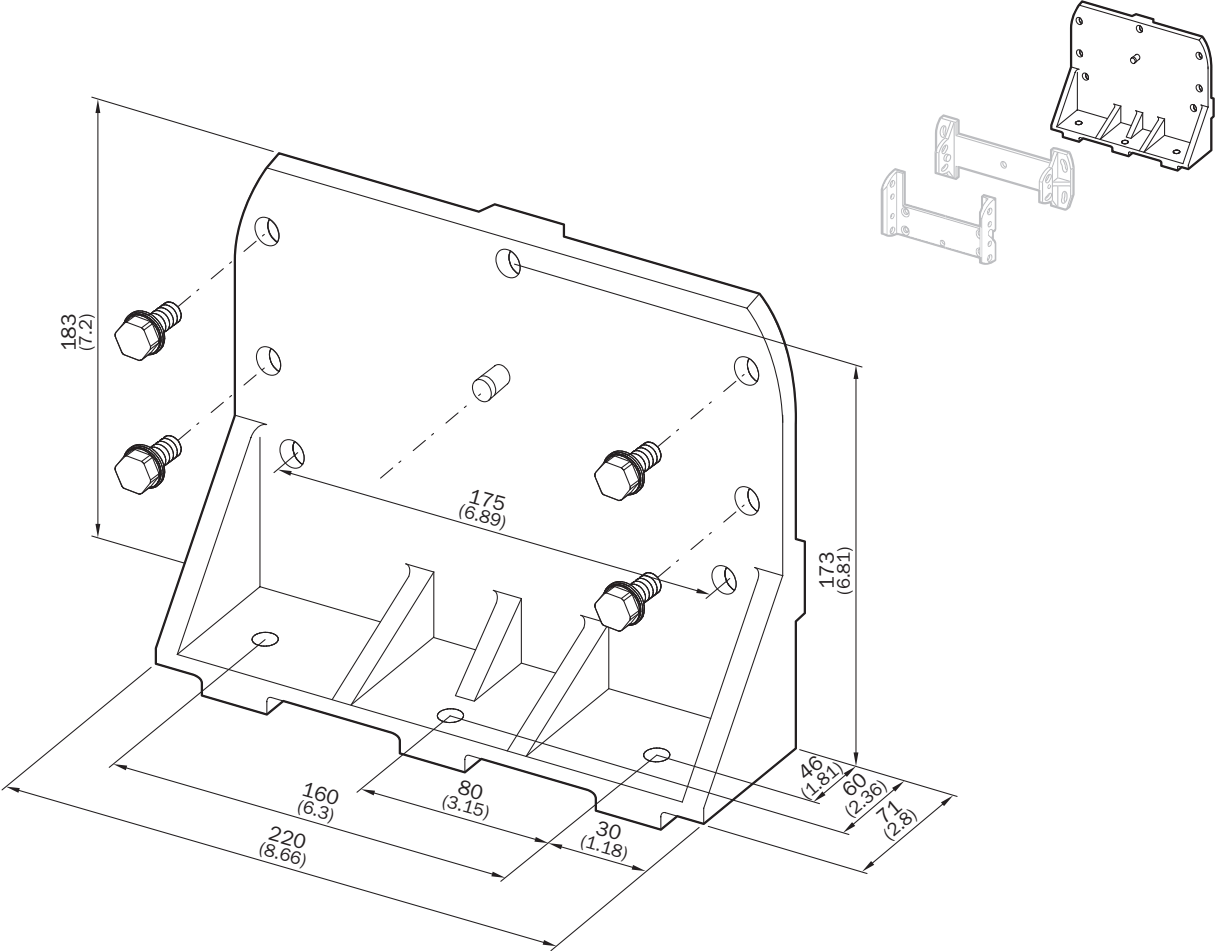
Features

| | |
|-----------------------------|--|
| Accessory group | Mounting systems |
| Accessory family | Brackets |
| Description | Mounting bracket for rear mounting on wall, floor, or machine, adjustable longitudinal and lateral axes, only in conjunction with mounting kit 1 (2015623) and 2 (2015624) Mounting bracket for rear mounting or mounting from the underside on the wall or the machine, longitudinal and lateral adjustment possible, only in connection with mounting kit 1 and 2 |
| Material | Aluminum |
| Packing unit | 1 piece |
| Mounting system type | Mounting bracket |

Classifications

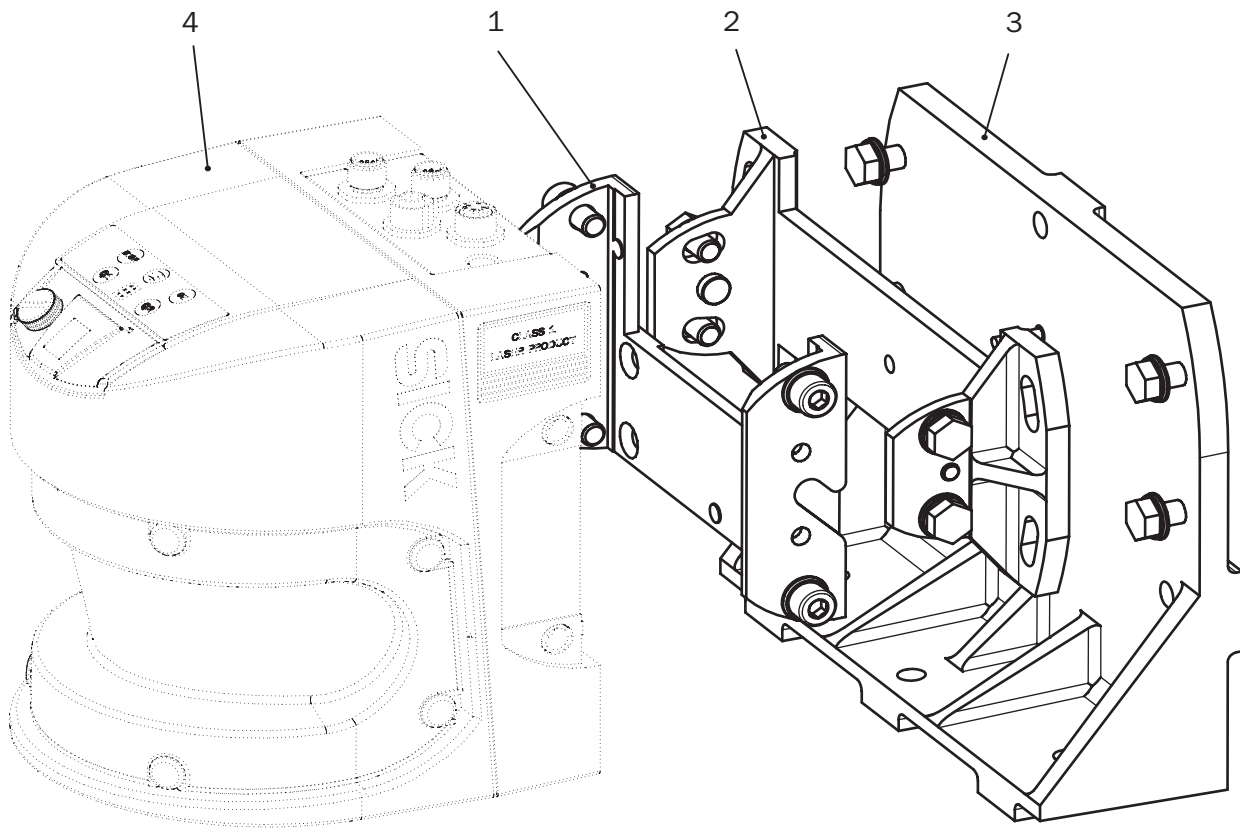
| | |
|-----------------------|----------|
| ECLASS 5.0 | 27279202 |
| ECLASS 5.1.4 | 27279202 |
| ECLASS 6.0 | 27279202 |
| ECLASS 6.2 | 27279202 |
| ECLASS 7.0 | 27279202 |
| ECLASS 8.0 | 27279202 |
| ECLASS 8.1 | 27279202 |
| ECLASS 9.0 | 27273701 |
| ECLASS 10.0 | 27273701 |
| ECLASS 11.0 | 27273701 |
| ECLASS 12.0 | 27273701 |
| ETIM 5.0 | EC002615 |
| ETIM 6.0 | EC002615 |
| ETIM 7.0 | EC002615 |
| ETIM 8.0 | EC002615 |
| UNSPSC 16.0901 | 32131023 |

Dimensional drawing



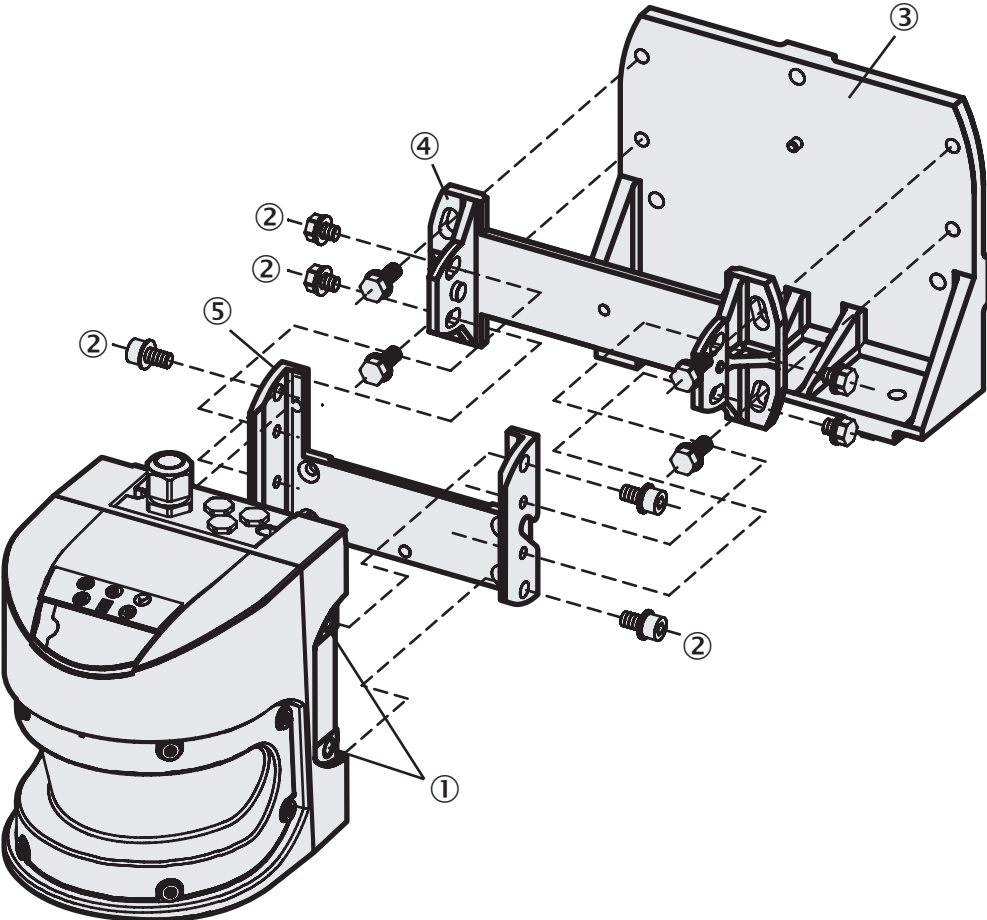
Dimensions in mm (inch)

Instruction for installation Mounting bracket



- ① Mounting kit 1
- ② Mounting kit 2
- ③ Mounting kit 3
- ④ Device

Instruction for installation



- ① threaded holes M8x9
- ② Mounting screws
- ③ Mounting kit 3
- ④ Mounting kit 2
- ⑤ Mounting kit 1

SICK AT A GLANCE

SICK is one of the leading manufacturers of intelligent sensors and sensor solutions for industrial applications. A unique range of products and services creates the perfect basis for controlling processes securely and efficiently, protecting individuals from accidents and preventing damage to the environment.

We have extensive experience in a wide range of industries and understand their processes and requirements. With intelligent sensors, we can deliver exactly what our customers need. In application centers in Europe, Asia and North America, system solutions are tested and optimized in accordance with customer specifications. All this makes us a reliable supplier and development partner.

Comprehensive services complete our offering: SICK LifeTime Services provide support throughout the machine life cycle and ensure safety and productivity.

For us, that is “Sensor Intelligence.”

WORLDWIDE PRESENCE:

Contacts and other locations –www.sick.com