



DATA SHEET

# MLG30A-2370R10501

MLG-2  
Automation light grids

**SICK** Sensor Intelligence

## AUTOMATION LIGHT GRIDS

# ML- G30A-2370R10501

### ORDERING INFORMATION

| Type              | part no.                |
|-------------------|-------------------------|
| MLG30A-2370R10501 | <a href="#">1221890</a> |

Further device versions and accessories at [www.sick.com/MLG-2](http://www.sick.com/MLG-2)



Illustration may differ



### DETAILED TECHNICAL DATA

#### FEATURES

|                                 |   |
|---------------------------------|---|
| Device version                  | Pro - Extended functionality  |
| Sensor principle                | Sender/receiver   |
| Minimum detectable object (MDO) | 30 mm <sup>1)</sup><br>34 mm <sup>2)</sup><br>3) <sup>3)</sup>  |
| Beam separation                 | 30 mm   |
| Type of synchronization         | Cable   |
| Number of beams                 | 80  |
| Detection height                | 2,370 mm  |
| Software features (default)     | Q <sub>1</sub> Presence detection<br>Q <sub>2</sub> / IN Teach input<br>Q <sub>3</sub> Presence detection<br>Q <sub>4</sub> / IN2 Presence detection<br>Teach Standard mode |
| Operating mode                  | Standard ✓<br>Transparent ✓   |

<sup>1)</sup> MDO min. detectable object at high measurement accuracy.

<sup>2)</sup> MDO min. detectable object for standard measurement accuracy.

<sup>3)</sup> Depending on beam separation without cross beam setting.

|                              |   |  |
|------------------------------|---|--|
| Dust- and sunlight-resistant |   | ✓  |
| Function                     | Cross beam  | ✓  |
|                              | Beam blanking   | ✓  |
|                              | High-speed scan   | ✓  |
|                              | High measurement accuracy   | ✓  |
| Applications                 | Switching output  | Object detection/object width<br>Object recognition<br>Height classification<br>Hole detection/hole size<br>Outside/inside dimension<br>Object position<br>Hole position<br>Zone definition                              |
|                              | Data interface  | Object detection<br>Hole detection<br>Object height measurement<br>Measurement of the outside dimension<br>Measurement of the inside dimension<br>Measurement of the object position<br>Measurement of the hole position |
| Included with delivery       | 1 × sender<br>1 × receiver<br>4/6 x QuickFix brackets (6 x QuickFix brackets for monitoring heights above 2 m)<br>1 × Quick Start Guide |  |

<sup>1)</sup> MDO min. detectable object at high measurement accuracy.

<sup>2)</sup> MDO min. detectable object for standard measurement accuracy.

<sup>3)</sup> Depending on beam separation without cross beam setting.

## MECHANICS/ELECTRONICS

|                            |   |
|----------------------------|---|
| Light source               | LED, Infrared light   |
| Wave length                | 850 nm  |
| Supply voltage $V_s$       | DC 19.2 V ... 28.8 V <sup>1)</sup>  |
| Power consumption sender   | 59 mA <sup>2)</sup>   |
| Power consumption receiver | 136 mA <sup>2)</sup>  |
| Ripple                     | < 5 V <sub>pp</sub>   |
| Output current $I_{max}$   | 100 mA  |
| Output load, capacitive    | 100 nF  |
| Output load, Inductive     | 1 H   |
| Initialization time        | < 1 s   |
| Switching output           | Push-pull: PNP/NPN  |
| Connection type            | Plug, M12, 5-pin, 0.22 m<br>Male connector M12, 8-pin, 0.27 m<br>M12 female connector, 4-pin, D-coded, 0.19 m       |
| Housing material           | Aluminum  |
| Display                    | LED   |
| Enclosure rating           | IP65, IP67<br><sup>3)</sup>   |
| Circuit protection         | $U_V$ connections, reverse polarity protected<br>Output Q short-circuit protected<br>Interference pulse suppression |

<sup>1)</sup> Without load.

<sup>2)</sup> Without load with 24 V.

<sup>3)</sup> Operating in outdoor condition only with a external protection housing.

# AUTOMATION LIGHT GRIDS - MLG30A-2370R10501

|                  |              |
|------------------|--------------|
| Protection class | III          |
| Weight           | 5.049 kg     |
| Front screen     | PMMA         |
| Option           | None         |
| UL File No.      | NRKH.E181493 |

<sup>1)</sup> Without load.

<sup>2)</sup> Without load with 24 V.

<sup>3)</sup> Operating in outdoor condition only with a external protection housing.

## PERFORMANCE

|                 |                      |
|-----------------|----------------------|
| Maximum range   | 7 m <sup>1)</sup>    |
| Minimum range   | ≥ 0 m                |
| Operating range | 5 m                  |
| Response time   | 7.5 ms <sup>2)</sup> |

<sup>1)</sup> No reserve for environmental issue and deterioration of the diode.

<sup>2)</sup> Without high speed.

## INTERFACES

|                        |                                   |
|------------------------|-----------------------------------|
| IO-Link                | ✓, IO-Link V1.1                   |
| Data transmission rate | 230,4 kbit/s (COM3)               |
| Maximum cable length   | 20 m                              |
| Cycle time             | 2.3 ms                            |
| VendorID               | 26                                |
| DeviceID HEX           | 800068                            |
| DeviceID DEC           | 8388712                           |
| Process data length    | 32 Byte (TYPE_2_V) <sup>1)</sup>  |
| Inputs/outputs         | 4 x Q (IO-Link)                   |
| Digital output         | Q <sub>1</sub> ... Q <sub>4</sub> |
| Number                 | 4                                 |
| Digital input          | In <sub>1</sub> , In <sub>2</sub> |
| Number                 | 2                                 |

<sup>1)</sup> For an IO-Link master with V1.0, reverts to interleaved mode (consisting of TYPE\_1\_1 (ProcessData) and TYPE\_1\_2 (on-request data)).

## AMBIENT DATA

|                               |  |
|-------------------------------|--|
| Shock resistance              | Continuous shocks 10 g, 16 ms, 1000 shocks<br>Single shocks 15 g, 11 ms 3 per axle |
| Vibration resistance          | Sinusoidal oscillation 10-150 Hz 5 g   |
| EMC                           | EN 60947-5-2   |
| Ambient light immunity        | Direct: 150,000 lx <sup>1)</sup><br>Indirect: 200,000 lx <sup>2)</sup>             |
| Ambient operating temperature | -30 °C ... +55 °C  |
| Ambient temperature, storage  | -40 °C ... +70 °C  |

<sup>1)</sup> Outdoor mode.

<sup>2)</sup> Light resistance indirect.

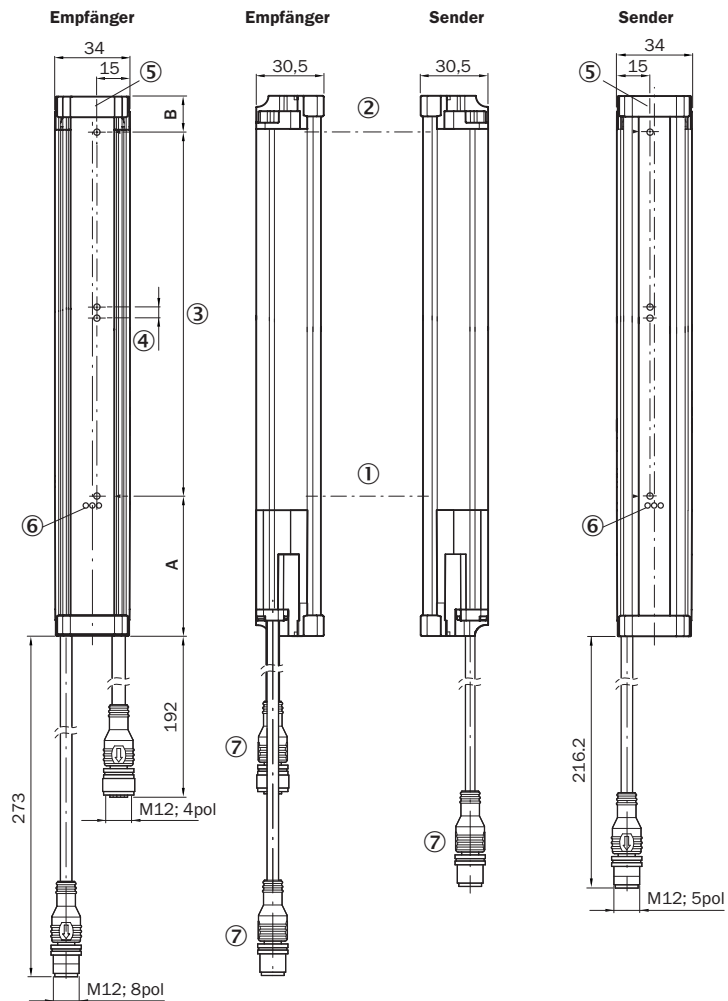
## SMART TASK

|                 |             |
|-----------------|-------------|
| Smart Task name | Base logics |
|-----------------|-------------|

**CERTIFICATES**

|                                       |   |
|---------------------------------------|---|
| EU declaration of conformity          | ✓ |
| UK declaration of conformity          | ✓ |
| ACMA declaration of conformity        | ✓ |
| Moroccan declaration of conformity    | ✓ |
| China RoHS                            | ✓ |
| cULus certificate                     | ✓ |
| IO-Link certificate                   | ✓ |
| Photobiological safety (IEC EN 62471) | ✓ |

**DIMENSIONAL DRAWING**



|                             | <b>A</b> <sup>1)</sup>  | <b>B</b> <sup>2)</sup> |
|-----------------------------|-------------------------|------------------------|
| <b>Strahlabstand 2,5 mm</b> | 62,25                   | 17,15                  |
| <b>Strahlabstand 5 mm</b>   | 63,3                    | 16,1                   |
| <b>Strahlabstand 10 mm</b>  | 68,3                    | 16,1                   |
| <b>Strahlabstand 20 mm</b>  | 68,3/78,3 <sup>3)</sup> | 16,1                   |
| <b>Strahlabstand 25 mm</b>  | 83,3                    | 16,1                   |
| <b>Strahlabstand 30 mm</b>  | 88,3                    | 16,1                   |
| <b>Strahlabstand 50 mm</b>  | 108,3                   | 16,1                   |

<sup>1)</sup> Abstand: MLG-2 Kante - erster Strahl

<sup>2)</sup> Abstand: MLG-2 Kante - letzter Strahl

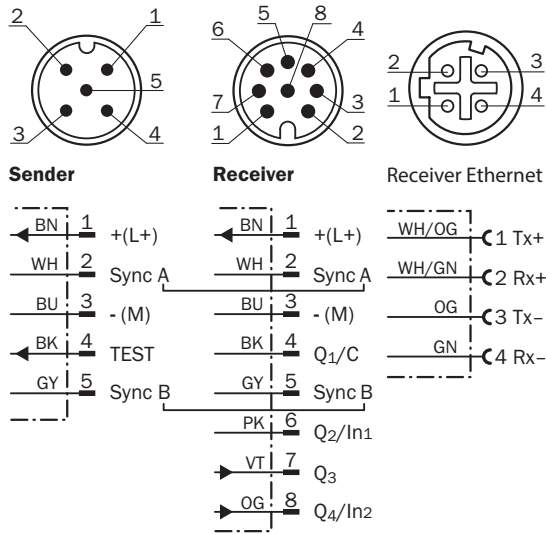
<sup>3)</sup> MLG20x-xx40: 68,3 mm

MLG20x-xx80: 78,3 mm

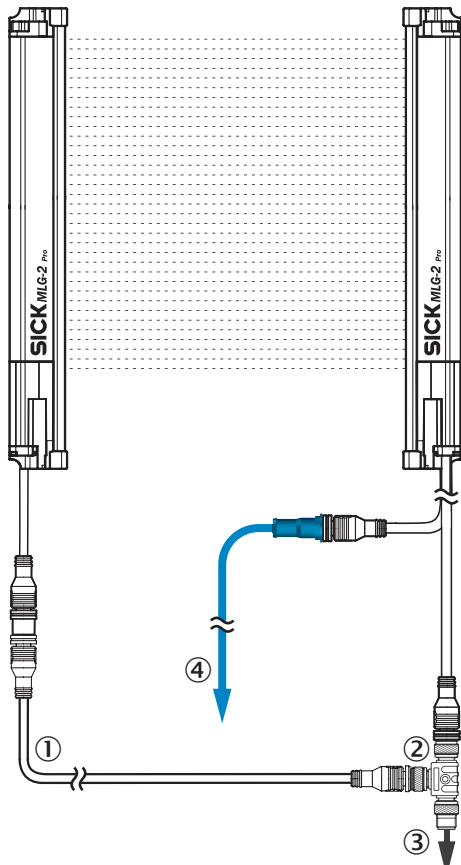
**Dimensions in mm (inch)**

- ① First beam
- ② last beam
- ③ detection height (see technical data)
- ④ Beam separation
- ⑤ Optical axis
- ⑥ status indicator: green, yellow, red LEDs
- ⑦ Connection

**CONNECTION TYPE AND DIAGRAM CONNECTOR M12, 5/8-PIN, SWITCHING OUTPUTS Q**



**PINOUTS**



- ① Connection cable receiver (2096010)
- ② T-piece
- ③ Connection cable (6020664)
- ④ Ethernet Connection cable

**ADJUSTMENTS**



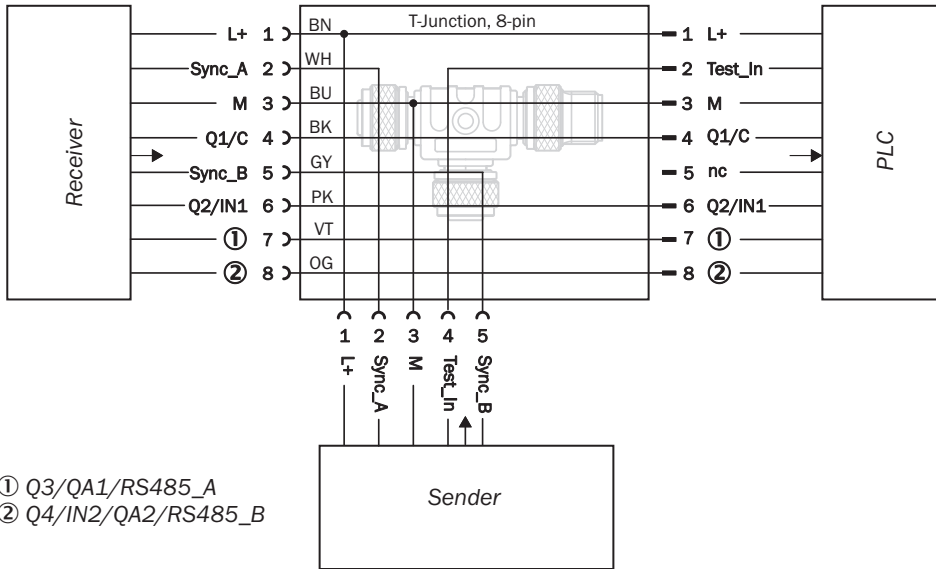
① status indicator: green, yellow, red LEDs

**CONNECTION DIAGRAM T-SPLITTER, IO-LINK MASTER**



① Q3/QA1/RS485\_A  
 ② Q4/IN2/QA2/RS485\_B

CONNECTION DIAGRAM T-SPLITTER, PLC



Further information as well as suitable accessories, example applications and downloads such as CAD dimensional models, operating instructions and software can be found at [www.sick.com/1221890](http://www.sick.com/1221890)



SICK AG  
WALDKIRCH  
GERMANY  
SICK.COM

# SICK AT A GLANCE

SICK is a leading global technology company for intelligent sensors and integrated solutions in industrial automation. Our technologies set benchmarks, making your industrial processes more efficient, safer and more sustainable – both in logistics and manufacturing operations.

SICK combines sensor intelligence with industry expertise and certified consulting services. We provide the ideal foundation for scalable as well as tailor-made automation solutions and create added value along the entire value chain. Our close partnerships with our customers are more than just a promise: Together, we optimize productivity, improve quality, protect health and safety, and help build a sustainable future. All with empathy and trust.

Since 1946, we have been developing innovative technologies with passion and a pioneering spirit. With a global network in around 40 countries, SICK has a global presence and is always close by. The company's headquarters are located in Waldkirch near Freiburg, Germany. Our customers benefit from our understanding of both local and global requirements, which enables us to deliver tailor-made solutions

**SICK**  
Sensor Intelligence