



V2D8303R-1MCKDXAF1SXXX

Lector83x

IMAGE-BASED CODE READERS

SICK
Sensor Intelligence.



Ordering information

Type	part no.
V2D8303R-1MCKDXAF1SXXXX	1149569

Included in delivery: C-mount lens (1), Optics protection hood (PMMA) - for white, red illumination (1), Spacer kit (1), V2D8303R-1MCXXXAF0SXXXX (1), VI55I-WH2031H0 (1)

Other models and accessories → www.sick.com/Lector83x



Detailed technical data

Features

Variant	Complete device
Optical focus	Adjustable focus (manual)
Sensor	CMOS monochrome
Sensor resolution	2,048 px x 1,536 px (3.15 MP)
Illumination	Integrated
Illumination color	White, LED, Visible,
Aperture angle	31°, illumination
Lens	C-mount
Optical format	1/1.8"
Focal length	16 mm
Aperture	1.8 ... 11
Scanning frequency	30 Hz
Code resolution	≥ 0.1 mm ¹⁾
Working range	200 mm ... 2,500 mm ¹⁾

¹⁾ Depends on lens used.

Mechanics/electronics

Connection type	1 x M12, 17-pin male connector, A-coded (power, CAN, serial interface, I/O) 1 x M8, 4-pin socket (external illumination, I/O) 2 x M12, 4-pin socket, D-coded (100-Megabit Ethernet, dual port fieldbus) 1 x M12, 8-pin female connector, X-coded (Gigabit Ethernet)
------------------------	--

¹⁾ Voltage source in accordance with ES1 (EN 62368-1) or SELV (EN 60950-1).

²⁾ The typical power consumption depends on the product configuration. The specified value applies to digital outputs without load.

³⁾ At 25 °C ambient operating temperature.

Supply voltage	24 V DC, $\pm 20\%$ ¹⁾
Power consumption	Typ. 21 W ²⁾
Current consumption	\leq max. 2 A
Housing material	Aluminum die cast
Housing color	Anthracite gray (RAL 7016)
Window material	Plastic (PMMA), 2 mm thick, with scratch-proof, anti-reflection (AR) coating on both sides
Enclosure rating	IP65 (IEC 60529:2013 +C1:2013 +C2:2015 +AMD2 C1:2019, EN 60529:1991 +A1:2010 +A2:2013 +AC:2019-02)
Electrical safety	EN 61010:2010 / EN 61010-1:2010/A1:2019/AC:2019-04
Weight	545 g, without lens and connection cables
Dimensions (L x W x H)	108 mm x 63.1 mm x 84.5 mm
MTBF	100,000 h ³⁾

¹⁾ Voltage source in accordance with ES1 (EN 62368-1) or SELV (EN 60950-1).

²⁾ The typical power consumption depends on the product configuration. The specified value applies to digital outputs without load.

³⁾ At 25 °C ambient operating temperature.

Safety-related parameters

Conformities	Conformance Class B
---------------------	---------------------

Performance

Readable code structures	1D codes, 2D codes, Stacked
Bar code types	Code 128, GS1-128, EAN 128, EAN 8, EAN 13, UPC-A, UPC-E, Interleaved 2 of 5, Codabar, Code 93, Postal code
2D code types	Data Matrix ECC200, GS1 Data-Matrix, MaxiCode, QR code, Aztec
Stacked code types	PDF417
Code printing process	Printed codes

Interfaces

Ethernet	Function	✓, TCP/IP
	Data transmission rate	Data interface (read result output), service interface, FTP (image transmission) 10/100/1,000 Mbit/s, MAC address (device-specific), see type label
CAN	Function	✓
	Data transmission rate	Data interface (read result output), Trigger interface 500 kbit/s
Serial	Function	✓, RS-232, RS-422
	Data transmission rate	1.2 kBaud ... 115.2 kBaud
USB	Function	✓, USB 2.0
	Data transmission rate	Service interface (accessing the web server), Ethernet via USB (RNDIS) 480 Mbit/s
EtherNet/IP™	Function	✓ (2)
	Data transmission rate	Data interface (read result output), Trigger interface 10/100 MBit/s
PROFINET	Function	✓ (2)

¹⁾ Memory card is available as an optional accessory. To ensure that the memory card functions reliably, only use card types (industrial standard) approved by SICK. Other functions are available upon request.

Function	Data interface (read result output), Trigger interface
Data transmission rate	10/100 MBit/s
Fieldbus, industrial network	
Supported protocol versions	PROFINET specification V2.43
GSDML	According to GSDML specification V2.43
Conformance	Conformance Class B
Network management	SNMP, MIB-2, LLDP, MRP client support
Switch properties	2 port real-time switch compliant with IEEE 802
Port properties	100Base-TX, auto-negotiation, auto-crossover (MDIX), auto-polarity
Net load	Net load class III in accordance with security level 1 test
Digital inputs	2 ("Sensor 1", "Sensor 2", insulated, encoder input, external trigger)
Configurable digital inputs/outputs	
X1	3 pieces („DIO 4“, „DIO 5“, „DIO 6“)
Reading pulse	Digital inputs, CAN, auto pulse
Optical indicators	8 status LEDs
Operator interfaces	Web server
Configuration software	SOPASair
Memory card slot	Micro SD memory card (not included with delivery) ¹⁾
Parameter cloning	Micro SD memory card Control software
Data storage and retrieval	Image and data storage via external FTP
EncoderFrequency	Max. 50 kHz
External illumination control	Via digital output (max. 24 V trigger)

¹⁾ Memory card is available as an optional accessory. To ensure that the memory card functions reliably, only use card types (industrial standard) approved by SICK. Other functions are available upon request.

Ambient data

Electromagnetic compatibility (EMC)	
Interference resistance	IEC 61000-6-2:2016 / EN IEC 61000-6-2:2019
Interference emission	IEC 61000-6-4:2018 / EN IEC 61000-6-4:2019
Vibration resistance	EN 60068-2-6:2007, EN 60068-2-64:2019
Shock resistance	EN 60068-2-27:2008
Ambient operating temperature	0 °C ... +50 °C ¹⁾ ¹⁾
Storage temperature	-20 °C ... +70 °C
Relative humidity	≤ 90 %, Non-condensing
Ambient light immunity	2,000 lx, on code
Contamination rating	2 (EN 61010-1)
Altitude (above sea level)	< 5,000 m

¹⁾ If the ambient operating temperature will be ≥ 40 °C, ensure adequate heat dissipation when mounting the device.

Certificates

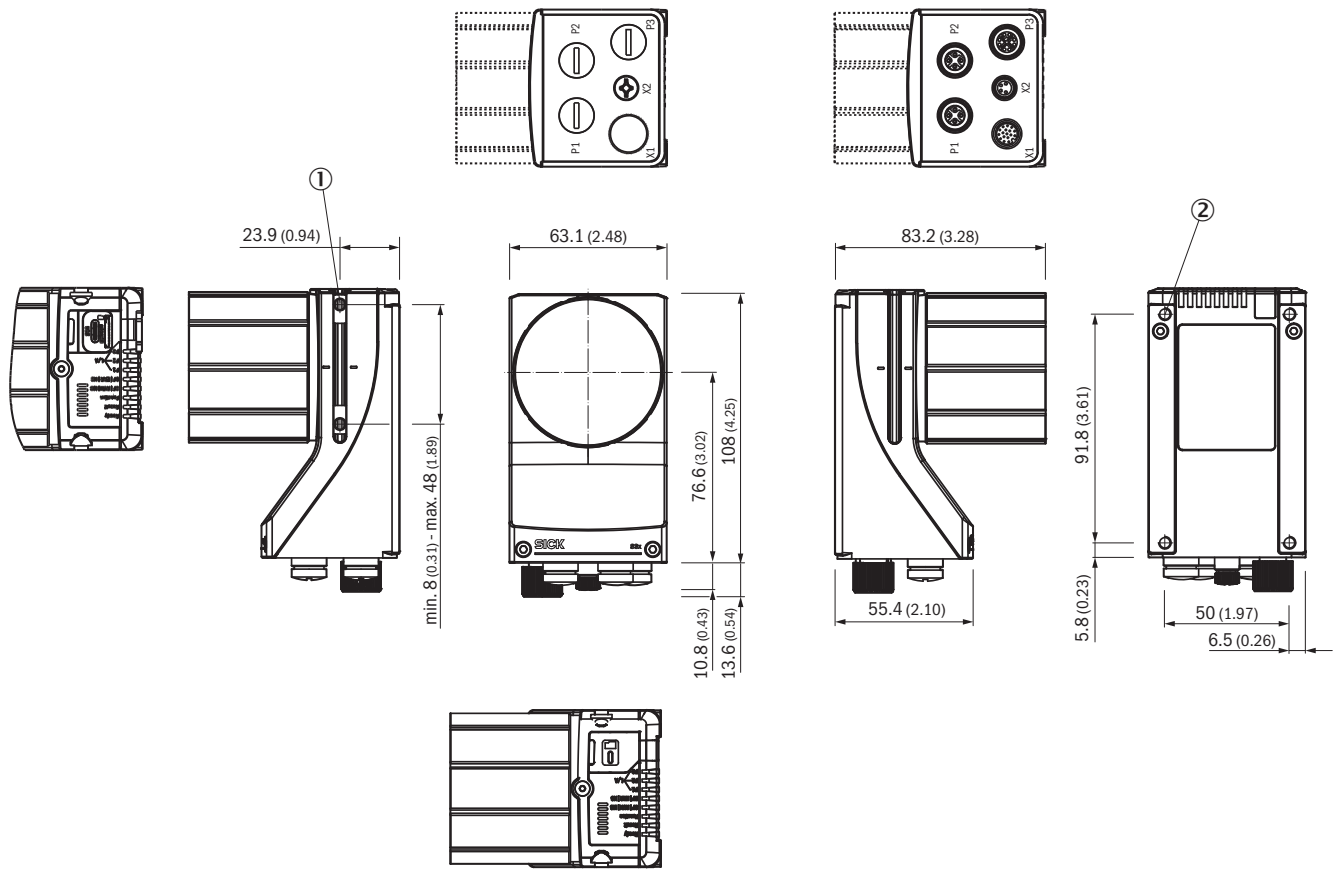
EU declaration of conformity	✓
UK declaration of conformity	✓

ACMA declaration of conformity	✓
China RoHS	✓
cULus certificate	✓
Profinet certificate	✓
Ethernet/IP certificate	✓
Information according to Art. 3 of Data Act (Regulation EU 2023/2854)	✓

Classifications

ECLASS 5.0	27280103
ECLASS 5.1.4	27280103
ECLASS 6.0	27280103
ECLASS 6.2	27280103
ECLASS 7.0	27280103
ECLASS 8.0	27280103
ECLASS 8.1	27280103
ECLASS 9.0	27280103
ECLASS 10.0	27280103
ECLASS 11.0	27280103
ECLASS 12.0	27280103
ETIM 5.0	EC002550
ETIM 6.0	EC002550
ETIM 7.0	EC002999
ETIM 8.0	EC002999
UNSPSC 16.0901	43211701

Dimensional drawing

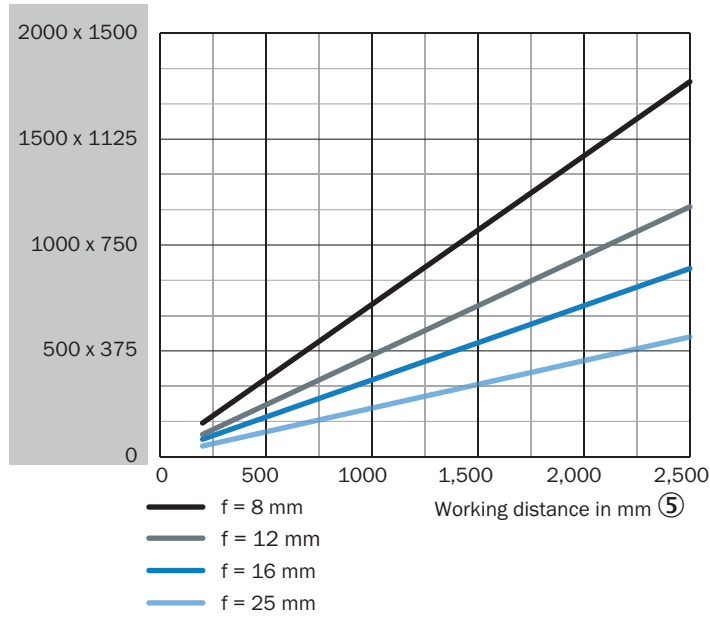


Dimensions in mm (inch)

- ① 2 M5 sliding nuts; 5.5 mm deep; pivoting; as an alternative method of mounting the product
- ② 4 tapped blind holes, M5, 5.5 mm deep for mounting the product

Field of view V2D8303x-xxxxxxxxx

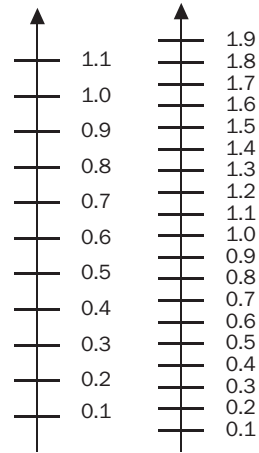
Perceived area of field of view: H x V (mm) ①



Min. resolution in mm ②

1D code ③

2D code ④



- ① perceived field of view area: horizontal x vertical (mm)
- ② Minimum resolution in mm
- ③ 1D code
- ④ 2D code
- ⑤ Working distance in mm

Selection Guide

FIELD OF VIEW

V2D8303R-xxxxxxx, focal length: 16 mm

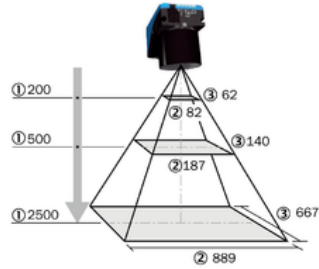


Fig. 5: Field of view of V2D8303R-xxxxxxx, focal length: 16 mm

- ① Working distance in mm
- ② Perceived field of view area: horizontal (mm)
- ③ Perceived field of view area: vertical (mm)

Table 9: Perceived field of view area

Working distance (mm)	Horizontal (mm)	Vertical (mm)
200	82	62
500	187	140
1000	363	272
1500	538	403
2000	713	535
2500	889	667

Table 10: Minimum resolution

Working distance (mm)	1D code (mm)	2D code (mm)
200	0.05	0.08
500	0.11	0.18
1000	0.21	0.35
1500	0.32	0.53
2000	0.42	0.70
2500	0.52	0.87

SICK AT A GLANCE

SICK is one of the leading manufacturers of intelligent sensors and sensor solutions for industrial applications. A unique range of products and services creates the perfect basis for controlling processes securely and efficiently, protecting individuals from accidents and preventing damage to the environment.

We have extensive experience in a wide range of industries and understand their processes and requirements. With intelligent sensors, we can deliver exactly what our customers need. In application centers in Europe, Asia and North America, system solutions are tested and optimized in accordance with customer specifications. All this makes us a reliable supplier and development partner.

Comprehensive services complete our offering: SICK LifeTime Services provide support throughout the machine life cycle and ensure safety and productivity.

For us, that is “Sensor Intelligence.”

WORLDWIDE PRESENCE:

Contacts and other locations –www.sick.com