



# V2D8505R-1MCKEXAF2SXXXX

Lector85x

IMAGE-BASED CODE READERS

**SICK**  
Sensor Intelligence.



### Ordering information

Type	part no.
V2D8505R-1MCKEXAF2SXXXX	1149143

**Included in delivery:** Spacer (1), Optics protection hood (glass) (1), VI83I-WH3031H0 (1), V2D8505R-1MCXXXAF0SXXXX (1), C-mount lens (1)

Other models and accessories → [www.sick.com/Lector85x](http://www.sick.com/Lector85x)



### Detailed technical data

#### Features

<b>Application</b>	Indoor area
<b>Variant</b>	Complete device
<b>Optical focus</b>	Adjustable focus (manual)
<b>Sensor</b>	CMOS monochrome
<b>Sensor resolution</b>	2,464 px x 2,048 px (5 MP)
<b>Illumination</b>	Integrated
<b>Illumination color</b>	White, LED, Visible,
<b>Anzahl LED</b>	32
<b>Aperture angle</b>	31°, illumination
<b>LED class</b>	Risk group 1 (low risk) according to EC 62471-1: 2006-07 / EN 62471-1: 2008-09
<b>Feedback spot</b>	LED, Visible, green, 530 nm, ± 15 nm LED, Visible, Red, 660 nm, ± 20 nm
<b>Alignment aid</b>	Laser, Red, 630 nm ... 680 nm
<b>Laser class</b>	1, complies with 21 CFR 1040.10 except for the conformance according to "Laser Notice No. 56" from May 8, 2019 (EN 60825-1:2014+A11:2021, IEC 60825-1:2014)
<b>Lens</b>	C-mount
	Optical format 1/1.8"
	Focal length 25 mm
	Aperture 1.8 ... 11
<b>Scanning frequency</b>	30 Hz, With resolution of 5 megapixels
<b>Code resolution</b>	≥ 0.1 mm <sup>1)</sup>
<b>Working range</b>	500 mm ... 3,000 mm <sup>1)</sup>

<sup>1)</sup> Depends on lens used.

## Mechanics/electronics

<b>Connection type</b>	1 x M12 ,17-pin male connector, A-coded (power, CAN, serial interface, I/O) 1 x M12, 5-pin female connector, A-coded (power, external illumination, I/O) 2 x M12, 4-pin socket, D-coded (100-Megabit Ethernet, dual port fieldbus) 1 x M12, 8-pin female connector, X-coded (Gigabit Ethernet)
<b>Supply voltage</b>	24 V DC, $\pm 20\%$ <sup>1)</sup>
<b>Power consumption</b>	Typ. 24 W <sup>2)</sup>
<b>Current consumption</b>	Max. 2 A
<b>Housing material</b>	Aluminum die cast
<b>Housing color</b>	Anthracite gray (RAL 7016)
<b>Window material</b>	Glass (2 mm thick, scratch-proof coating)
<b>Enclosure rating</b>	IP65 (IEC 60529:2013 +C1:2013 +C2:2015 +AMD2 C1:2019, EN 60529:1991 +A1:2010 +A2:2013 +AC:2019-02)
<b>Electrical safety</b>	EN 61010:2010 / EN 61010-1:2010/A1:2019/AC:2019-04
<b>Weight</b>	640 g, without lens and connection cables
<b>Dimensions (L x W x H)</b>	143.4 mm x 90 mm x 46 mm <sup>3)</sup>
<b>MTBF</b>	100,000 h

<sup>1)</sup> Voltage source in accordance with ES1 (EN 62368-1) or SELV (EN 60950-1).

<sup>2)</sup> The typical power consumption depends on the product configuration. The specified value applies to digital outputs without load.

<sup>3)</sup> Only housing. Lens, integrated illumination unit, spacer and optics protection hood not included.

## Safety-related parameters

<b>Conformities</b>	Conformance Class B
---------------------	---------------------

## Performance

<b>Readable code structures</b>	1D codes, 2D codes, Stacked
<b>Bar code types</b>	Code 128, GS1-128, EAN 128, EAN 8, EAN 13, UPC-A, UPC-E, Interleaved 2 of 5, Codabar, Code 93, Postal code
<b>2D code types</b>	Data Matrix ECC200, GS1 Data-Matrix, MaxiCode, QR code, Aztec
<b>Stacked code types</b>	PDF417
<b>Code printing process</b>	Printed codes

## Interfaces

<b>Ethernet</b>	Function	✓ , TCP/IP
	Data transmission rate	Data interface (read result output), service interface, FTP (image transmission) 10/100/1,000 Mbit/s, MAC address (device-specific), see type label
<b>EtherNet/IP™</b>	Function	✓ (2)
	Data transmission rate	Data interface (read result output), Trigger interface 10/100 MBit/s
<b>CAN</b>	Function	✓
	Data transmission rate	Data interface (read result output), Trigger interface 500 kbit/s
<b>Serial</b>	Function	✓ , RS-232, RS-422, RS-232
	Function	Data interface

<sup>1)</sup> DIO3 not available.

<sup>2)</sup> Memory card is available as an optional accessory. To ensure that the memory card functions reliably, only use card types (industrial standard) approved by SICK. Other functions are available upon request.

	Service interface
Data transmission rate	1.2 kBaud ... 115.2 kBaud
	57.6 kBaud
<b>USB</b>	✓ , USB 2.0
Function	Service interface (accessing the web server), Ethernet via USB (RNDIS)
Data transmission rate	480 Mbit/s
<b>PROFINET</b>	✓ (2)
Function	Data interface (read result output), Trigger interface
Data transmission rate	10/100 MBit/s
<b>Fieldbus, industrial network</b>	
Supported protocol versions	PROFINET specification V2.43
GSDML	According to GSDML specification V2.43
Conformance	Conformance Class B
Network management	SNMP, MIB-2, LLDP, MRP client support
Switch properties	2 port real-time switch compliant with IEEE 802
Port properties	100Base-TX, auto-negotiation, auto-crossover (MDIX), auto-polarity
Net load	Net load class III in accordance with security level 1 test
<b>Digital inputs</b>	2 ("Sensor 1", "Sensor 2", insulated, encoder input, external trigger)
<b>Configurable digital inputs/outputs</b>	
	X1 4 (DIO 3, DIO 4, DIO 5, DIO 6) <sup>1)</sup>
<b>Reading pulse</b>	Digital inputs, CAN, auto pulse
<b>Optical indicators</b>	12 LEDs (10 x status displays, 2 x feedback spot)
<b>Operator interfaces</b>	Web server
<b>Configuration software</b>	SOPASair
<b>Memory card slot</b>	Micro SD memory card (not included with delivery) <sup>2)</sup>
<b>Parameter cloning</b>	Micro SD memory card Control software
<b>Data storage and retrieval</b>	Image and data storage via external FTP
<b>EncoderFrequency</b>	Max. 50 kHz
<b>External illumination control</b>	Via digital output (max. 24 V trigger)

<sup>1)</sup> DIO3 not available.

<sup>2)</sup> Memory card is available as an optional accessory. To ensure that the memory card functions reliably, only use card types (industrial standard) approved by SICK. Other functions are available upon request.

### Ambient data

<b>Electromagnetic compatibility (EMC)</b>	
Interference resistance	IEC 61000-6-2:2016 / EN IEC 61000-6-2:2019
Interference emission	IEC 61000-6-4:2018 / EN IEC 61000-6-4:2019
<b>Vibration resistance</b>	EN 60068-2-6:2007, EN 60068-2-64:2019
<b>Shock resistance</b>	EN 60068-2-27:2008
<b>Ambient operating temperature</b>	0 °C ... +50 °C <sup>1)</sup>
<b>Storage temperature</b>	-20 °C ... +70 °C

<sup>1)</sup> If the ambient operating temperature will be  $\geq 45$  °C, ensure adequate heat dissipation when mounting the device.

<b>Relative humidity</b>	≤ 90 %, Non-condensing
<b>Ambient light immunity</b>	2,000 lx, on code
<b>Contamination rating</b>	2 (EN 61010-1)
<b>Altitude (above sea level)</b>	< 5,000 m

<sup>1)</sup> If the ambient operating temperature will be ≥ 45 °C, ensure adequate heat dissipation when mounting the device.

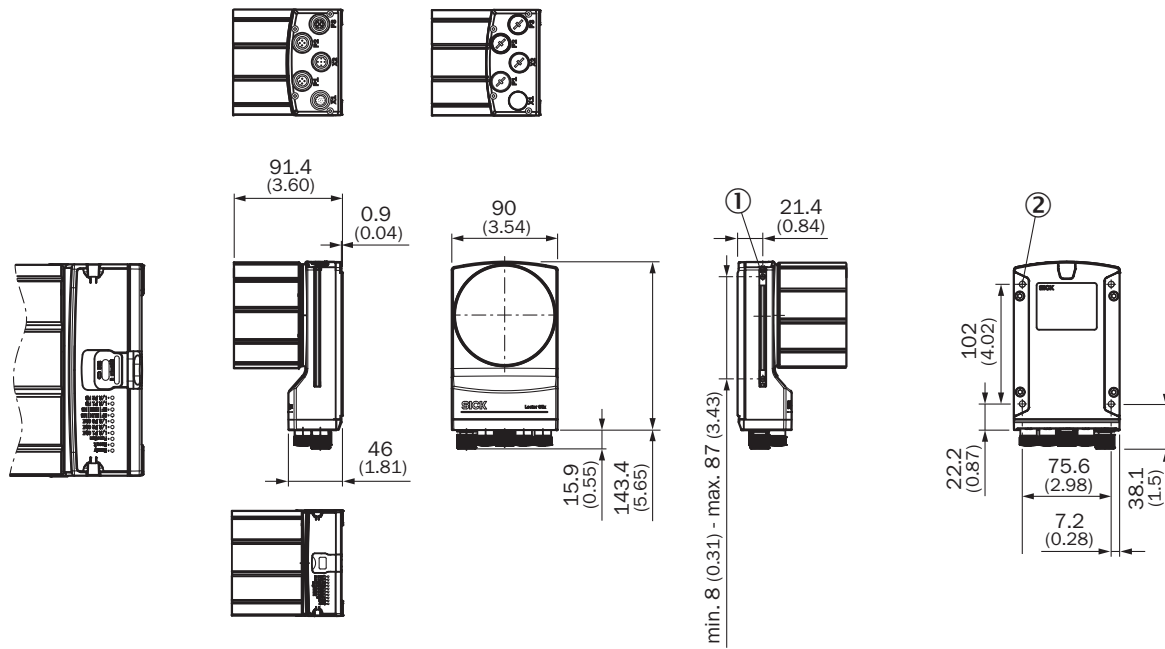
## Classifications

<b>ECLASS 5.0</b>	27280103
<b>ECLASS 5.1.4</b>	27280103
<b>ECLASS 6.0</b>	27280103
<b>ECLASS 6.2</b>	27280103
<b>ECLASS 7.0</b>	27280103
<b>ECLASS 8.0</b>	27280103
<b>ECLASS 8.1</b>	27280103
<b>ECLASS 9.0</b>	27280103
<b>ECLASS 10.0</b>	27280103
<b>ECLASS 11.0</b>	27280103
<b>ECLASS 12.0</b>	27280103
<b>ETIM 5.0</b>	EC002550
<b>ETIM 6.0</b>	EC002550
<b>ETIM 7.0</b>	EC002999
<b>ETIM 8.0</b>	EC002999
<b>UNSPSC 16.0901</b>	43211701

## Certificates

<b>EU declaration of conformity</b>	✓
<b>UK declaration of conformity</b>	✓
<b>ACMA declaration of conformity</b>	✓
<b>China RoHS</b>	✓
<b>cULus certificate</b>	✓
<b>Profinet certificate</b>	✓
<b>Ethernet/IP certificate</b>	✓
<b>BIS registration</b>	✓
<b>Information according to Art. 3 of Data Act (Regulation EU 2023/2854)</b>	✓

Dimensional drawing

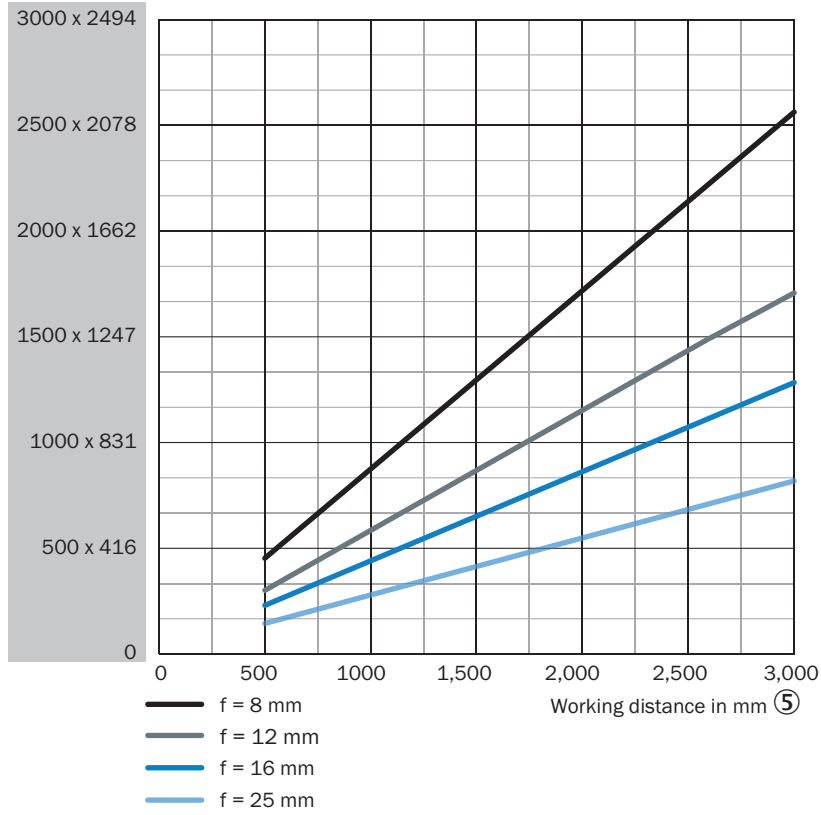


Dimensions in mm (inch)

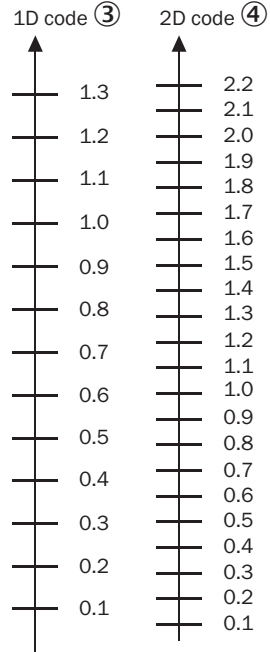
- ① 2 M5 sliding nuts; 5.5 mm deep; pivoting; as an alternative method of mounting the product
- ② 4 tapped blind holes, M5, 5.5 mm deep for mounting the product

Field of view

Perceived area of field of view: H x V (mm) ①

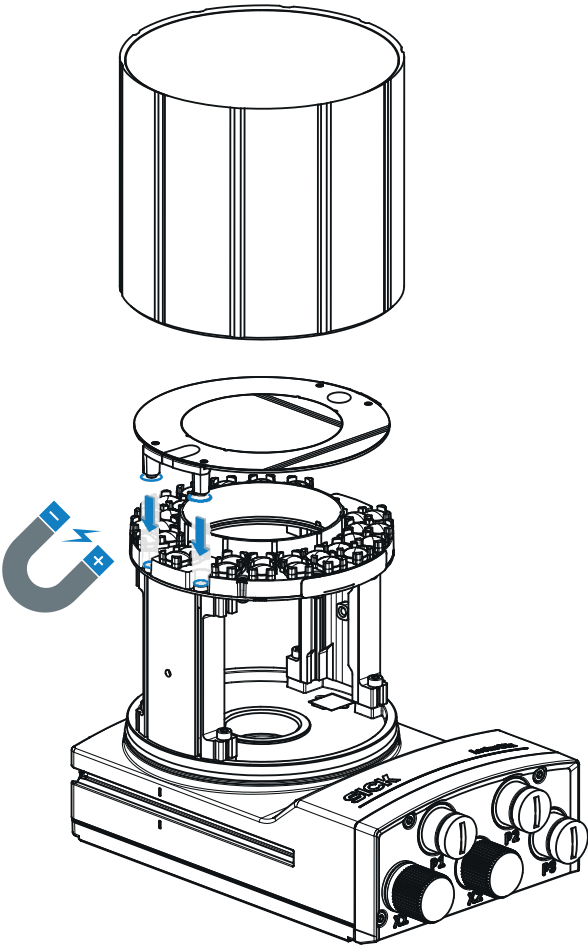


Min. resolution in mm ②



- ① perceived field of view area: horizontal x vertical (mm)
- ② Minimum resolution in mm
- ③ 1D code
- ④ 2D code
- ⑤ Working distance in mm

Assembly note Polarizing filter



Selection Guide V2D8505R, focal length: 16mm

FIELD OF VIEW

V2D8505R-xxxxxxx, focal length: 16 mm

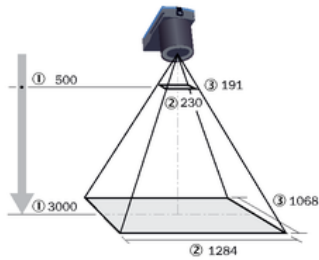


Figure 25: Field of view V2D8505R-xxxxxxx, focal length: 16 mm

- ① Working distance in mm
- ② Perceived field of view area: horizontal (mm)
- ③ Min. perceived field of view area: horizontal (mm)

Table 7: Perceived field of view area

Working distance (mm)	Horizontal (mm)	Vertical (mm)
500	230	191
1000	441	366
1500	652	542
2000	863	717
2500	1073	892
3000	1284	1068

Table 8: Minimum resolution

Working distance (mm)	1D code (mm)	2D code (mm)
500	0.11	0.18
1000	0.21	0.36
1500	0.32	0.52
2000	0.42	0.7
2500	0.52	0.88
3000	0.63	1.04

## SICK AT A GLANCE

SICK is one of the leading manufacturers of intelligent sensors and sensor solutions for industrial applications. A unique range of products and services creates the perfect basis for controlling processes securely and efficiently, protecting individuals from accidents and preventing damage to the environment.

We have extensive experience in a wide range of industries and understand their processes and requirements. With intelligent sensors, we can deliver exactly what our customers need. In application centers in Europe, Asia and North America, system solutions are tested and optimized in accordance with customer specifications. All this makes us a reliable supplier and development partner.

Comprehensive services complete our offering: SICK LifeTime Services provide support throughout the machine life cycle and ensure safety and productivity.

For us, that is “Sensor Intelligence.”

## WORLDWIDE PRESENCE:

Contacts and other locations –[www.sick.com](http://www.sick.com)