



V2D8505R-1MEMEXAF2SXXXX

Lector85x

IMAGE-BASED CODE READERS

SICK
Sensor Intelligence.



Ordering information

Type	part no.
V2D8505R-1MEMEXAF2SXXXX	1145298

Other models and accessories → www.sick.com/Lector85x



Detailed technical data

Features

Application	Indoor area
Variant	Complete device
Optical focus	Dynamic focus control
Sensor	CMOS monochrome
Sensor resolution	2,464 px x 2,048 px (5 MP)
Illumination	Integrated
Illumination color	Red, LED, Visible, 660 nm, ± 20 nm
Anzahl LED	32
Aperture angle	31°, illumination
LED class	Risk group 1 (low risk) according to EC 62471-1: 2006-07 / EN 62471-1: 2008-09
Feedback spot	LED, Visible, green, 530 nm, ± 15 nm LED, Visible, Red, 660 nm, ± 20 nm
Alignment aid	Laser, Red, 630 nm ... 680 nm
Laser class	1, complies with 21 CFR 1040.10 except for the conformance according to "Laser Notice No. 56" from May 8, 2019 (EN 60825-1:2014+A11:2021, IEC 60825-1:2014)
Lens	
Focal length	25 mm
Aperture	5,6
Scanning frequency	30 Hz, With resolution of 5 megapixels
Code resolution	≥ 0.1 mm
Working range	500 mm ... 2,400 mm

Mechanics/electronics

Connection type	1 x M12 ,17-pin male connector, A-coded (power, CAN, serial interface, I/O) 1 x M12, 5-pin female connector, A-coded (power, external illumination, I/O) 2 x M12, 4-pin socket, D-coded (100-Megabit Ethernet, dual port fieldbus) 1 x M12, 8-pin female connector, X-coded (Gigabit Ethernet)
Supply voltage	24 V DC, $\pm 20\%$ ¹⁾
Power consumption	Typ. 27 W ²⁾
Current consumption	Max. 2 A
Housing material	Aluminum die cast
Housing color	Anthracite gray (RAL 7016)
Window material	Glass (2 mm thick, scratch-proof coating)
Enclosure rating	IP65 (IEC 60529:2013 +C1:2013 +C2:2015 +AMD2 C1:2019, EN 60529:1991 +A1:2010 +A2:2013 +AC:2019-02)
Electrical safety	EN 61010:2010 / EN 61010-1:2010/A1:2019/AC:2019-04
Weight	975 g, without lens and connection cables
Dimensions (L x W x H)	143.4 mm x 90 mm x 106.1 mm
MTBF	100,000 h

¹⁾ Voltage source in accordance with ES1 (EN 62368-1) or SELV (EN 60950-1).

²⁾ The typical power consumption depends on the product configuration. The specified value applies to digital outputs without load.

Safety-related parameters

Conformities	Conformance Class B
---------------------	---------------------

Performance

Readable code structures	1D codes, 2D codes, Stacked
Bar code types	Code 128, GS1-128, EAN 128, EAN 8, EAN 13, UPC-A, UPC-E, Interleaved 2 of 5, Codabar, Code 93, Postal code
2D code types	Data Matrix ECC200, GS1 Data-Matrix, MaxiCode, QR code, Aztec
Stacked code types	PDF417
Code qualification	On the basis of ISO/IEC 16022, ISO/IEC 15415, ISO/IEC 18004
Code printing process	Printed codes

Interfaces

Ethernet		✓ , TCP/IP
	Function	Data interface (read result output), service interface, FTP (image transmission)
	Data transmission rate	10/100/1,000 Mbit/s, MAC address (device-specific), see type label
EtherNet/IP™		✓ (2)
	Function	Data interface (read result output), Trigger interface
	Data transmission rate	10/100 MBit/s
CAN		✓
	Function	Data interface (read result output), Trigger interface, Focus source
	Data transmission rate	500 kbit/s
Serial		✓ , RS-232, RS-422, RS-232

¹⁾ DIO3 not available.

²⁾ DIO7, DIO8 not available.

³⁾ Memory card is available as an optional accessory. To ensure that the memory card functions reliably, only use card types (industrial standard) approved by SICK. Other functions are available upon request.

	Function	Data interface
		Service interface
	Data transmission rate	1.2 kBaud ... 115.2 kBaud 57.6 kBaud
USB		✓, USB 2.0
	Function	Service interface (accessing the web server), Ethernet via USB (RNDIS)
	Data transmission rate	480 Mbit/s
PROFINET		✓ (2)
	Function	Data interface (read result output), Trigger interface
	Data transmission rate	10/100 MBit/s
Fieldbus, industrial network		
	Supported protocol versions	PROFINET specification V2.43
	GSDML	According to GSDML specification V2.43
	Conformance	Conformance Class B
	Network management	SNMP, MIB-2, LLDP, MRP client support
	Switch properties	2 port real-time switch compliant with IEEE 802
	Port properties	100Base-TX, auto-negotiation, auto-cross-over (MDIX), auto-polarity
	Net load	Net load class III in accordance with security level 1 test
Digital inputs		
2 ("Sensor 1", "Sensor 2", insulated, encoder input, external trigger)		
Configurable digital inputs/outputs		
	X1	4 (DIO 3, DIO 4, DIO 5, DIO 6) ¹⁾
	X2	2 (DIO7, DIO8) ²⁾
Reading pulse		
Digital inputs, CAN, PROFINET via trigger bit, EtherNet/IP™ via trigger bit		
Optical indicators		
12 LEDs (10 x status displays, 2 x feedback spot)		
Operator interfaces		
Web server		
Configuration software		
SOPASair		
Memory card slot		
Micro SD memory card (not included with delivery) ³⁾		
Parameter cloning		
Micro SD memory card Control software		
Data storage and retrieval		
Image and data storage via external FTP		
EncoderFrequency		
Max. 50 kHz		
Encoder resolution		
0.2 mm ... 10 mm, per pulse		
External illumination control		
Via digital output (max. 24 V trigger)		

¹⁾ DIO3 not available.

²⁾ DIO7, DIO8 not available.

³⁾ Memory card is available as an optional accessory. To ensure that the memory card functions reliably, only use card types (industrial standard) approved by SICK. Other functions are available upon request.

Ambient data

Electromagnetic compatibility (EMC)	
Interference resistance	IEC 61000-6-2:2016 / EN IEC 61000-6-2:2019
Interference emission	IEC 61000-6-4:2018 / EN IEC 61000-6-4:2019

¹⁾ If the ambient operating temperature will be ≥ 45 °C, ensure adequate heat dissipation when mounting the device.

Vibration resistance	EN 60068-2-6:2007, EN 60068-2-64:2019
Shock resistance	EN 60068-2-27:2008
Ambient operating temperature	0 °C ... +50 °C ¹⁾
Storage temperature	-20 °C ... +70 °C
Permissible relative humidity	≤ 90 %, Non-condensing
Ambient light immunity	2,000 lx, on code
Contamination rating	2 (EN 61010-1)
Altitude (above sea level)	< 5,000 m

¹⁾ If the ambient operating temperature will be ≥ 45 °C, ensure adequate heat dissipation when mounting the device.

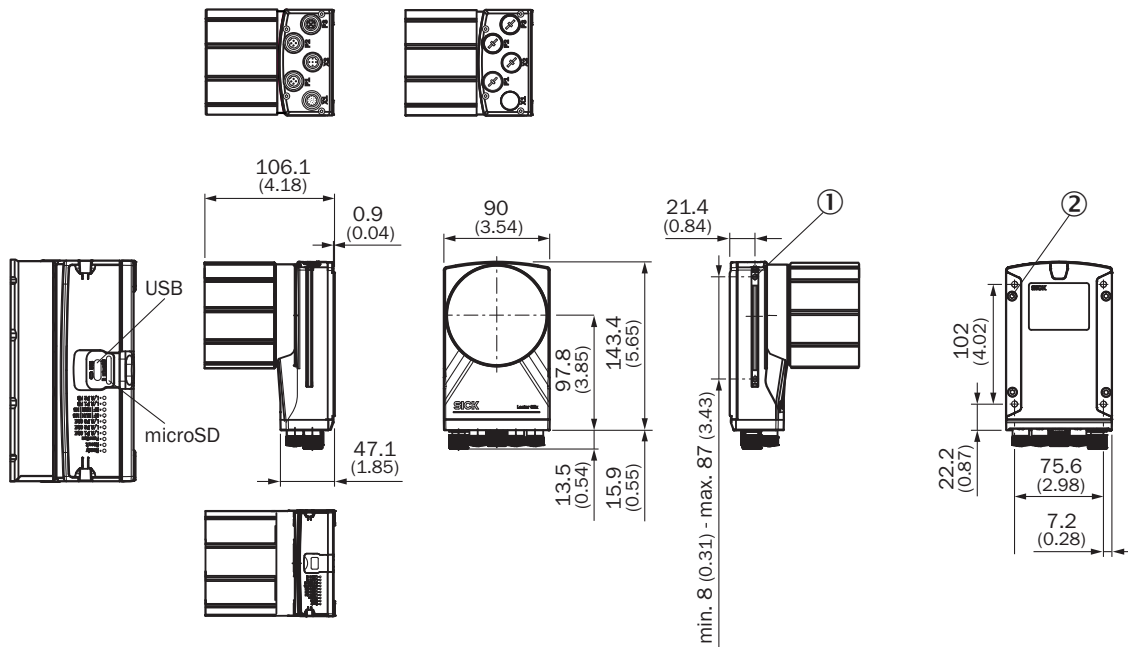
Certificates

EU declaration of conformity	✓
UK declaration of conformity	✓
ACMA declaration of conformity	✓
China RoHS	✓
cULus certificate	✓
Profinet certificate	✓
Ethernet/IP certificate	✓
BIS registration	✓
Information according to Art. 3 of Data Act (Regulation EU 2023/2854)	✓

Classifications

ECLASS 5.0	27280103
ECLASS 5.1.4	27280103
ECLASS 6.0	27280103
ECLASS 6.2	27280103
ECLASS 7.0	27280103
ECLASS 8.0	27280103
ECLASS 8.1	27280103
ECLASS 9.0	27280103
ECLASS 10.0	27280103
ECLASS 11.0	27280103
ECLASS 12.0	27280103
ETIM 5.0	EC002550
ETIM 6.0	EC002550
ETIM 7.0	EC002999
ETIM 8.0	EC002999
UNSPSC 16.0901	43211701

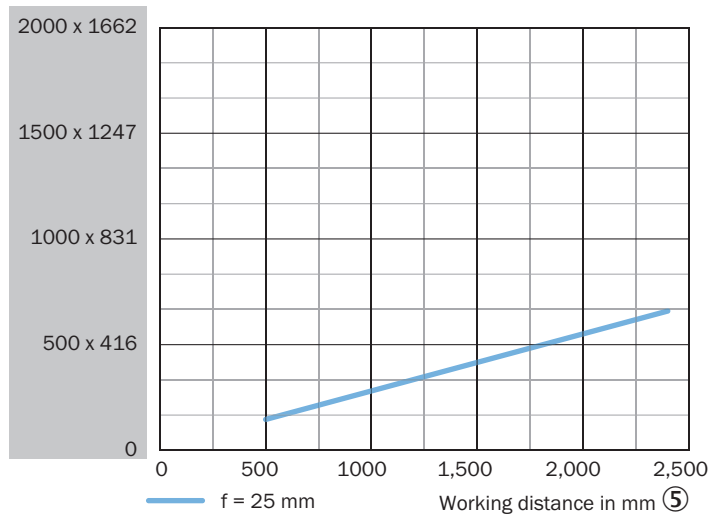
Dimensional drawing



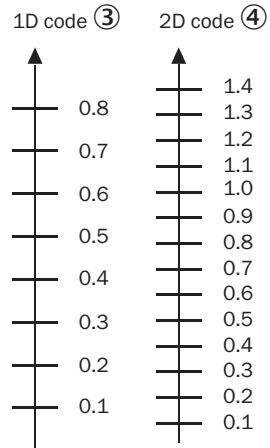
Dimensions in mm (inch)

Field of view

Perceived area of field of view: H x V (mm) ①



Min. resolution in mm ②



- ① perceived field of view area: horizontal x vertical (mm)
- ② Minimum resolution in mm
- ③ 1D code
- ④ 2D code
- ⑤ Working distance in mm

Selection Guide

FIELD OF VIEW

V2D8509R-xxxxxxxx, focal length: 25 mm

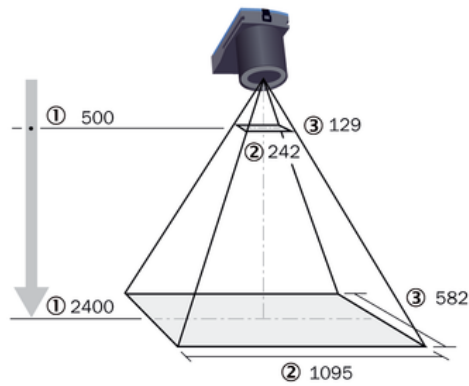


Fig. 2: Field of view of V2D8509R-xxxxxxxx, focal length: 25 mm, dynamic focus control

- ① Working distance in mm
- ② Perceived field of view area: horizontal (mm)
- ③ Perceived field of view area: vertical (mm)

Table 3: Perceived field of view area

Working distance (mm)	Horizontal (mm)	Vertical (mm)
500	242	129
1000	467	248
1500	691	367
2000	916	486
2400	1095	582

Table 4: Minimum resolution

Working distance (mm)	1D code (mm)	2D code (mm)
500	0.07	0.12
1000	0.14	0.23
1500	0.20	0.34
2000	0.27	0.45
2400	0.32	0.53

SICK AT A GLANCE

SICK is one of the leading manufacturers of intelligent sensors and sensor solutions for industrial applications. A unique range of products and services creates the perfect basis for controlling processes securely and efficiently, protecting individuals from accidents and preventing damage to the environment.

We have extensive experience in a wide range of industries and understand their processes and requirements. With intelligent sensors, we can deliver exactly what our customers need. In application centers in Europe, Asia and North America, system solutions are tested and optimized in accordance with customer specifications. All this makes us a reliable supplier and development partner.

Comprehensive services complete our offering: SICK LifeTime Services provide support throughout the machine life cycle and ensure safety and productivity.

For us, that is “Sensor Intelligence.”

WORLDWIDE PRESENCE:

Contacts and other locations –www.sick.com