



# V2D8509R-1MEMEXAF2SXXXX

Lector85x

IMAGE-BASED CODE READERS

**SICK**  
Sensor Intelligence.



### Ordering information

Type	part no.
V2D8509R-1MEMEXAF2SXXXX	1144624

Other models and accessories → [www.sick.com/Lector85x](http://www.sick.com/Lector85x)



### Detailed technical data

#### Features

<b>Application</b>	Indoor area
<b>Variant</b>	Complete device
<b>Optical focus</b>	Dynamic focus control
<b>Sensor</b>	CMOS monochrome
<b>Sensor resolution</b>	4,096 px x 2,176 px (9 MP)
<b>Illumination</b>	Integrated
<b>Illumination color</b>	Red, LED, Visible, 660 nm, ± 20 nm
<b>Anzahl LED</b>	32
<b>Aperture angle</b>	47°, illumination
<b>LED class</b>	Risk group 1 (low risk) according to EC 62471-1: 2006-07 / EN 62471-1: 2008-09
<b>Feedback spot</b>	LED, Visible, green, 530 nm, ± 15 nm LED, Visible, Red, 660 nm, ± 20 nm
<b>Alignment aid</b>	Laser, Red, 630 nm ... 680 nm
<b>Laser class</b>	1, complies with 21 CFR 1040.10 except for the conformance according to "Laser Notice No. 56" from May 8, 2019 (EN 60825-1:2014+A11:2021, IEC 60825-1:2014)
<b>Lens</b>	
Focal length	25 mm
Aperture	5,6
<b>Scanning frequency</b>	20 Hz, With resolution of 9 megapixels
<b>Code resolution</b>	≥ 0.1 mm
<b>Working range</b>	500 mm ... 2,400 mm

## Mechanics/electronics

<b>Connection type</b>	1 x M12 ,17-pin male connector, A-coded (power, CAN, serial interface, I/O) 1 x M12, 5-pin female connector, A-coded (power, external illumination, I/O) 2 x M12, 4-pin socket, D-coded (100-Megabit Ethernet, dual port fieldbus) 1 x M12, 8-pin female connector, X-coded (Gigabit Ethernet)
<b>Supply voltage</b>	24 V DC, $\pm 20\%$ <sup>1)</sup>
<b>Power consumption</b>	Typ. 27 W <sup>2)</sup>
<b>Current consumption</b>	$\leq$ max. 2 A
<b>Housing material</b>	Aluminum die cast
<b>Housing color</b>	Anthracite gray (RAL 7016)
<b>Window material</b>	Glass (2 mm thick, scratch-proof coating)
<b>Enclosure rating</b>	IP65 (IEC 60529:2013 +C1:2013 +C2:2015 +AMD2 C1:2019, EN 60529:1991 +A1:2010 +A2:2013 +AC:2019-02)
<b>Electrical safety</b>	EN 61010:2010 / EN 61010-1:2010/A1:2019/AC:2019-04
<b>Weight</b>	975 g, without lens and connection cables
<b>Dimensions (L x W x H)</b>	143.4 mm x 90 mm x 106.1 mm
<b>MTBF</b>	100,000 h

<sup>1)</sup> Voltage source in accordance with ES1 (EN 62368-1) or SELV (EN 60950-1).

<sup>2)</sup> The typical power consumption depends on the product configuration. The specified value applies to digital outputs without load.

## Safety-related parameters

<b>Conformities</b>	Conformance Class B
---------------------	---------------------

## Performance

<b>Readable code structures</b>	1D codes, 2D codes, Stacked
<b>Bar code types</b>	Code 128, GS1-128, EAN 128, EAN 8, EAN 13, UPC-A, UPC-E, Interleaved 2 of 5, Codabar, Code 93, Postal code
<b>2D code types</b>	Data Matrix ECC200, GS1 Data-Matrix, MaxiCode, QR code, Aztec
<b>Stacked code types</b>	PDF417
<b>Code qualification</b>	On the basis of ISO/IEC 16022, ISO/IEC 15415, ISO/IEC 18004
<b>Code printing process</b>	Printed codes

## Interfaces

<b>Ethernet</b>	Function	✓ , TCP/IP
	Data transmission rate	Data interface (read result output), service interface, FTP (image transmission) 10/100/1,000 Mbit/s, MAC address (device-specific), see type label
<b>EtherNet/IP™</b>	Function	✓ (2)
	Data transmission rate	Data interface (read result output), Trigger interface 10/100 MBit/s
<b>CAN</b>	Function	✓
	Data transmission rate	Data interface (read result output), Trigger interface, Focus source 500 kbit/s
<b>Serial</b>	Function	✓ , RS-232, RS-422, RS-232
	Function	Data interface

<sup>1)</sup> Memory card is available as an optional accessory. To ensure that the memory card functions reliably, only use card types (industrial standard) approved by SICK. Other functions are available upon request.

	Service interface
Data transmission rate	1.2 kBaud ... 115.2 kBaud
	57.6 kBaud
<b>USB</b>	✓ , USB 2.0
Function	Service interface (accessing the web server), Ethernet via USB (RNDIS)
Data transmission rate	480 Mbit/s
<b>PROFINET</b>	✓ (2)
Function	Data interface (read result output), Trigger interface
Data transmission rate	10/100 MBit/s
<b>Fieldbus, industrial network</b>	
Supported protocol versions	PROFINET specification V2.43
GSDML	According to GSDML specification V2.43
Conformance	Conformance Class B
Network management	SNMP, MIB-2, LLDP, MRP client support
Switch properties	2 port real-time switch compliant with IEEE 802
Port properties	100Base-TX, auto-negotiation, auto-crossover (MDIX), auto-polarity
Net load	Net load class III in accordance with security level 1 test
<b>Digital inputs</b>	2 ("Sensor 1", "Sensor 2", insulated, encoder input, external trigger)
<b>Configurable digital inputs/outputs</b>	
X1	4 (DIO 3, DIO 4, DIO 5, DIO 6)
X2	2 (DIO 7, DIO 8)
<b>Reading pulse</b>	Digital inputs, CAN, PROFINET via trigger bit, EtherNet/IP™ via trigger bit
<b>Optical indicators</b>	12 LEDs (10 x status displays, 2 x feedback spot)
<b>Operator interfaces</b>	Web server
<b>Configuration software</b>	SOPASair
<b>Memory card slot</b>	Micro SD memory card (not included with delivery) <sup>1)</sup>
<b>Parameter cloning</b>	Micro SD memory card Control software
<b>Data storage and retrieval</b>	Image and data storage via external FTP
<b>EncoderFrequency</b>	Max. 50 kHz
<b>Encoder resolution</b>	0.2 mm ... 10 mm, per pulse
<b>External illumination control</b>	Via digital output (max. 24 V trigger)

<sup>1)</sup> Memory card is available as an optional accessory. To ensure that the memory card functions reliably, only use card types (industrial standard) approved by SICK. Other functions are available upon request.

### Ambient data

<b>Electromagnetic compatibility (EMC)</b>	
Interference resistance	IEC 61000-6-2:2016 / EN IEC 61000-6-2:2019
Interference emission	IEC 61000-6-4:2018 / EN IEC 61000-6-4:2019
<b>Vibration resistance</b>	EN 60068-2-6:2007, EN 60068-2-64:2019
<b>Shock resistance</b>	EN 60068-2-27:2008
<b>Ambient operating temperature</b>	0 °C ... +50 °C <sup>1)</sup>

<sup>1)</sup> If the ambient operating temperature will be  $\geq 45$  °C, ensure adequate heat dissipation when mounting the device.

<b>Storage temperature</b>	-20 °C ... +70 °C
<b>Relative humidity</b>	≤ 90 %, Non-condensing
<b>Ambient light immunity</b>	2,000 lx, on code
<b>Contamination rating</b>	2 (EN 61010-1)
<b>Altitude (above sea level)</b>	< 5,000 m

<sup>1)</sup> If the ambient operating temperature will be ≥ 45 °C, ensure adequate heat dissipation when mounting the device.

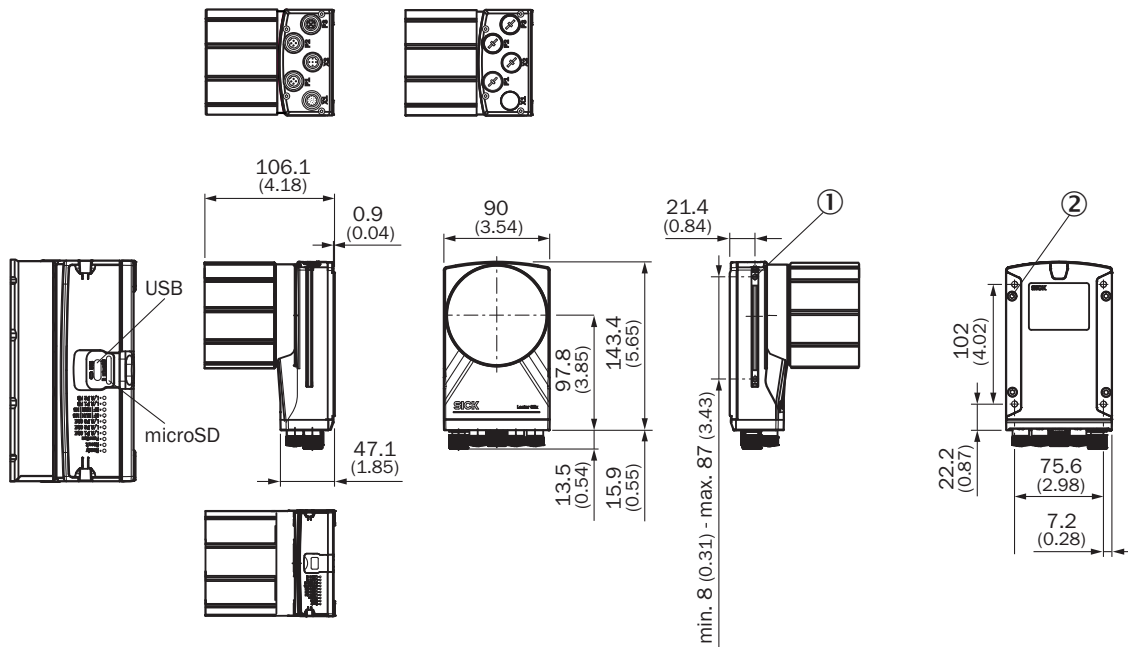
## Certificates

<b>EU declaration of conformity</b>	✓
<b>UK declaration of conformity</b>	✓
<b>ACMA declaration of conformity</b>	✓
<b>China RoHS</b>	✓
<b>cULus certificate</b>	✓
<b>Profinet certificate</b>	✓
<b>Ethernet/IP certificate</b>	✓
<b>BIS registration</b>	✓
<b>Information according to Art. 3 of Data Act (Regulation EU 2023/2854)</b>	✓

## Classifications

<b>ECLASS 5.0</b>	27280103
<b>ECLASS 5.1.4</b>	27280103
<b>ECLASS 6.0</b>	27280103
<b>ECLASS 6.2</b>	27280103
<b>ECLASS 7.0</b>	27280103
<b>ECLASS 8.0</b>	27280103
<b>ECLASS 8.1</b>	27280103
<b>ECLASS 9.0</b>	27280103
<b>ECLASS 10.0</b>	27280103
<b>ECLASS 11.0</b>	27280103
<b>ECLASS 12.0</b>	27280103
<b>ETIM 5.0</b>	EC002550
<b>ETIM 6.0</b>	EC002550
<b>ETIM 7.0</b>	EC002999
<b>ETIM 8.0</b>	EC002999
<b>UNSPSC 16.0901</b>	43211701

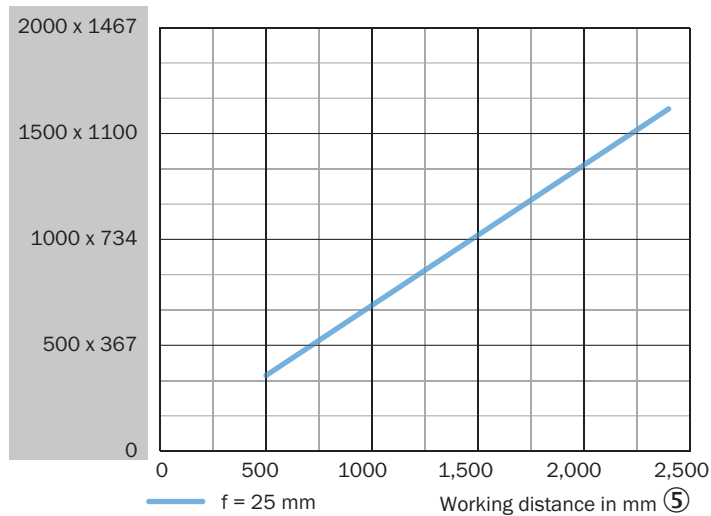
### Dimensional drawing



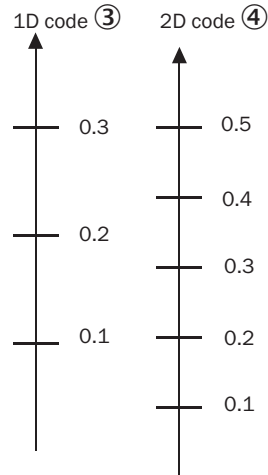
Dimensions in mm (inch)

### Field of view

Perceived area of field of view: H x V (mm) ①



Min. resolution in mm ②



① perceived field of view area: horizontal x vertical (mm)

② Minimum resolution in mm

③ 1D code

④ 2D code

⑤ Working distance in mm (inch)

Selection Guide

FIELD OF VIEW

V2D8509R-xxxxxxx, focal length: 25 mm

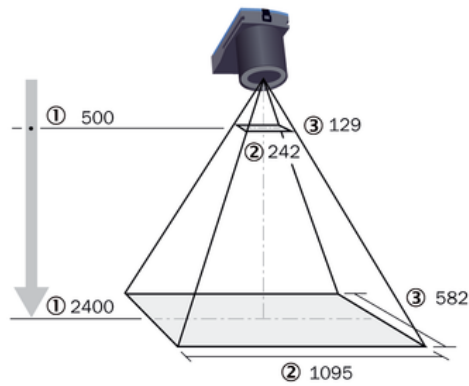


Fig. 2: Field of view of V2D8509R-xxxxxxx, focal length: 25 mm, dynamic focus control

- ① Working distance in mm
- ② Perceived field of view area: horizontal (mm)
- ③ Perceived field of view area: vertical (mm)

Table 3: Perceived field of view area

Working distance (mm)	Horizontal (mm)	Vertical (mm)
500	242	129
1000	467	248
1500	691	367
2000	916	486
2400	1095	582

Table 4: Minimum resolution

Working distance (mm)	1D code (mm)	2D code (mm)
500	0.07	0.12
1000	0.14	0.23
1500	0.20	0.34
2000	0.27	0.45
2400	0.32	0.53

## SICK AT A GLANCE

SICK is one of the leading manufacturers of intelligent sensors and sensor solutions for industrial applications. A unique range of products and services creates the perfect basis for controlling processes securely and efficiently, protecting individuals from accidents and preventing damage to the environment.

We have extensive experience in a wide range of industries and understand their processes and requirements. With intelligent sensors, we can deliver exactly what our customers need. In application centers in Europe, Asia and North America, system solutions are tested and optimized in accordance with customer specifications. All this makes us a reliable supplier and development partner.

Comprehensive services complete our offering: SICK LifeTime Services provide support throughout the machine life cycle and ensure safety and productivity.

For us, that is “Sensor Intelligence.”

## WORLDWIDE PRESENCE:

Contacts and other locations –[www.sick.com](http://www.sick.com)