



# SEC100-5C9D1SFZZZZ

sensingCam SEC100

2D MACHINE VISION

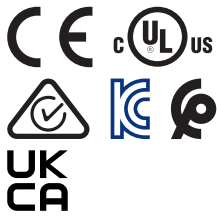
**SICK**  
Sensor Intelligence.



### Ordering information

Type	part no.
SEC100-5C9D1SFZZZZ	1143217

Other models and accessories → [www.sick.com/sensingCam\\_SEC100](http://www.sick.com/sensingCam_SEC100)



### Detailed technical data

#### Features

<b>Product category</b>	Streaming, flexible
<b>Technology</b>	2D snapshot, Streaming
<b>Sensor</b>	CMOS Color Powerful in low light
<b>Shutter technology</b>	Rolling-Shutter
<b>Sensor resolution</b>	2,880 px x 1,616 px (5 MP)
<b>Working distance</b>	0.3 m ... 10 m
<b>Field of view</b>	82° x 52°
<b>Memory</b>	6 GB, internal memory or FTP upload
<b>Lighting</b>	Without
<b>Lens</b>	Integrated
<b>Livestream</b>	
Scan/frame rate	5 fps ... 30 fps
Video resolution	Full resolution (2,880 x 1,616 pixels) @ 25 fps Full HD (1,920 x 1,080 pixels) @ 30 fps 720p (1,280 x 720 pixels) @ 30 fps
Video protocol	RTSP, MJPG
Real-time video transmission	Two individually configurable RTSP streams, one MJPEG stream
Video compression	H.264, H.265, Motion JPEG, configurable compression level
<b>Image capture</b>	
Image format	JPEG, BMP
Trigger	Digital input or software trigger via REST API, TCP/IP

#### Interfaces

<b>REST API</b>	✓
<b>Ethernet</b>	✓, TCP/IP

	Remark	DHCP/static (default: 192.168.0.1)
	Data transmission rate	100 Mbit/s, 100Base-TX
<b>Configuration software</b>		Web server integrated

## Electronics

<b>Supply voltage</b>	12 V DC ... 24 V DC <sup>1)</sup>
<b>Power consumption</b>	Typ. 2 W Max. 10 W
<b>Digital input, level</b>	Active: $10\text{ V} \leq U_{IN} \leq U_V$ Inactive: $U_{IN} \leq 2\text{ V}$
<b>Protection class</b>	III
<b>Enclosure rating</b>	IP65
<b>Connection type</b>	
Supply voltage & I/O	Plug, M12, 4-pin, A-coded
Ethernet interface	M12 female connector, 4-pin, D-coded
<b>Pinouts for</b> Supply voltage & I/O	
- 1	+ (L+)
- 2	In
- 3	- (M)
- 4	Not connected
<b>Pinouts for</b> Ethernet interface	
- 1	TD +
- 2	RD +
- 3	TD -
- 4	RD -

<sup>1)</sup> SELV/PELV in acc. with currently applicable standards. Ensure the circuits connected to the device meet the requirements of ES1 and max. PS2 in accordance with IEC/UL/EN 62368-1. The Ethernet connection must meet the requirements of ES1 and PS1. Protect the supply circuit with a 1 A fuse. Nominal 12 V DC ... 24 V DC tolerance  $\pm 10\%$ .

## Mechanics

<b>Dimensions (W x H x D)</b>	57.5 mm x 49 mm x 33.6 mm (without connection)
<b>Housing material</b>	Plastic
<b>Window material</b>	Glass
<b>Weight</b>	120 g
<b>Mounting</b>	Two threads for M4 screws Two grooves for sliding nuts One $\frac{1}{4}$ " - 20 UNC thread for photo tripod

## Ambient data

<b>Ambient temperature, operation</b>	0 °C ... +50 °C, Optimal image quality at 10 °C ... +40 °C
<b>Ambient temperature, storage</b>	-20 °C ... +60 °C
<b>Permissible relative humidity</b>	$\leq 90\%$
<b>Shock resistance</b>	150 m/s <sup>2</sup> EN 60068-2-27
<b>Vibration resistance</b>	EN 60068-2-6, EN 60068-2-64

## Classifications

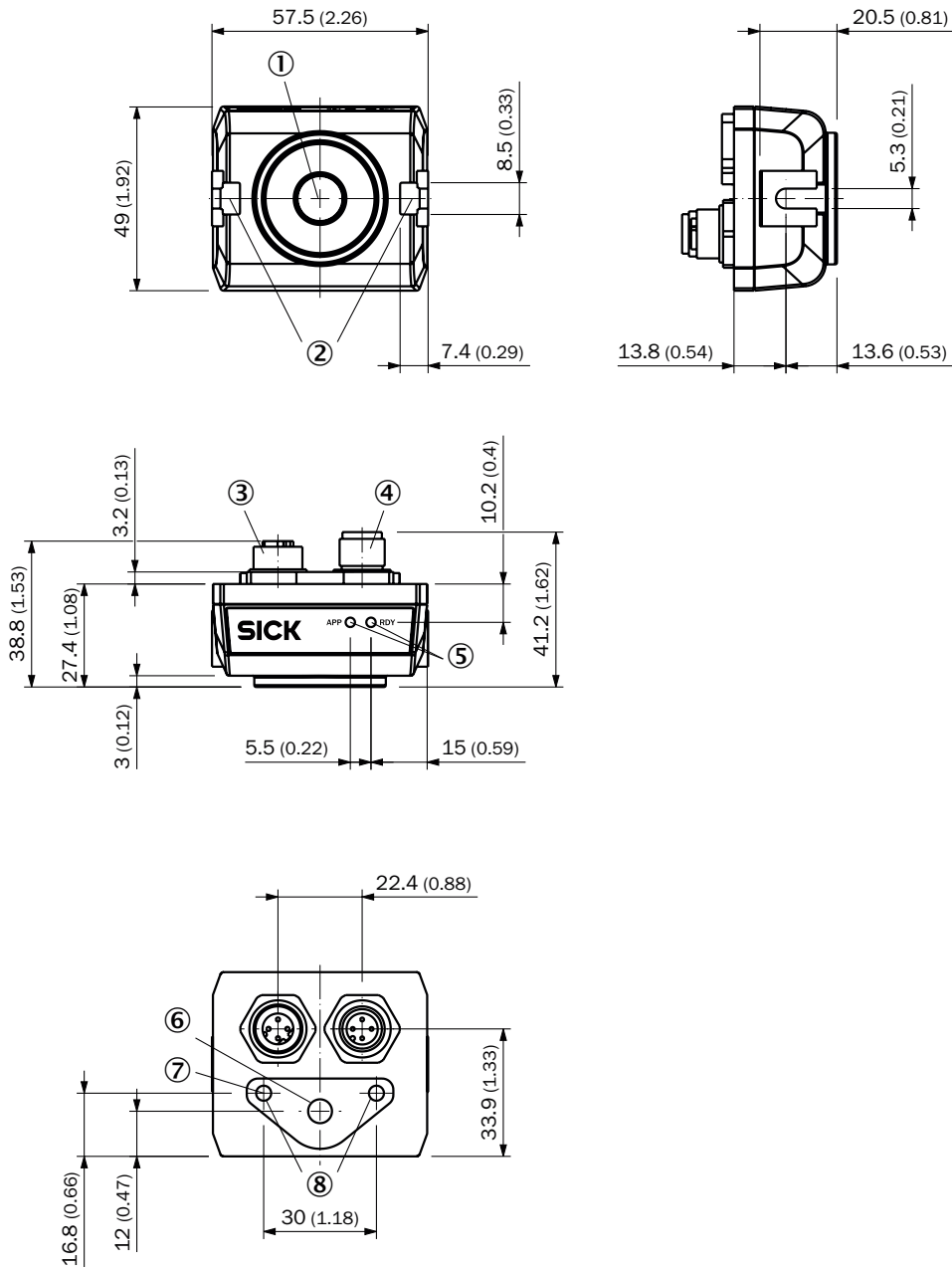
<b>ECLASS 5.0</b>	27310205
-------------------	----------

<b>ECLASS 5.1.4</b>	27310205
<b>ECLASS 6.0</b>	27310205
<b>ECLASS 6.2</b>	27310205
<b>ECLASS 7.0</b>	27310205
<b>ECLASS 8.0</b>	27310205
<b>ECLASS 8.1</b>	27310205
<b>ECLASS 9.0</b>	27310205
<b>ECLASS 10.0</b>	27310205
<b>ECLASS 11.0</b>	27310205
<b>ECLASS 12.0</b>	27310205
<b>ETIM 5.0</b>	EC001820
<b>ETIM 6.0</b>	EC001820
<b>ETIM 7.0</b>	EC001820
<b>ETIM 8.0</b>	EC001820
<b>UNSPSC 16.0901</b>	43211731

Certificates

<b>EU declaration of conformity</b>	✓
<b>UK declaration of conformity</b>	✓
<b>ACMA declaration of conformity</b>	✓
<b>Moroccan declaration of conformity</b>	✓
<b>China RoHS</b>	✓
<b>cULus certificate</b>	✓
<b>KC Mark certificate</b>	✓
<b>Information according to Art. 3 of Data Act (Regulation EU 2023/2854)</b>	✓

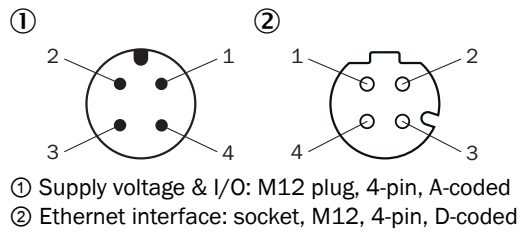
Dimensional drawing, sensor



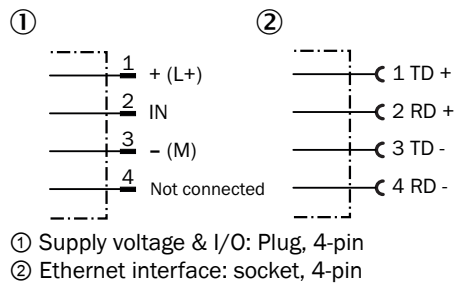
Dimensions in mm (inch)

- ① Camera
- ② two grooves for sliding nuts
- ③ Ethernet interface: socket, M12, 4-pin, D-coded
- ④ Supply voltage & I/O: M12 plug, 4-pin, A-coded
- ⑤ Display elements: Power LED + application LED
- ⑥ one ¼" - 20 UNC thread for photo tripod
- ⑦ Earthing thread (M4) for making a functional earth connection
- ⑧ two threads for M4 screws

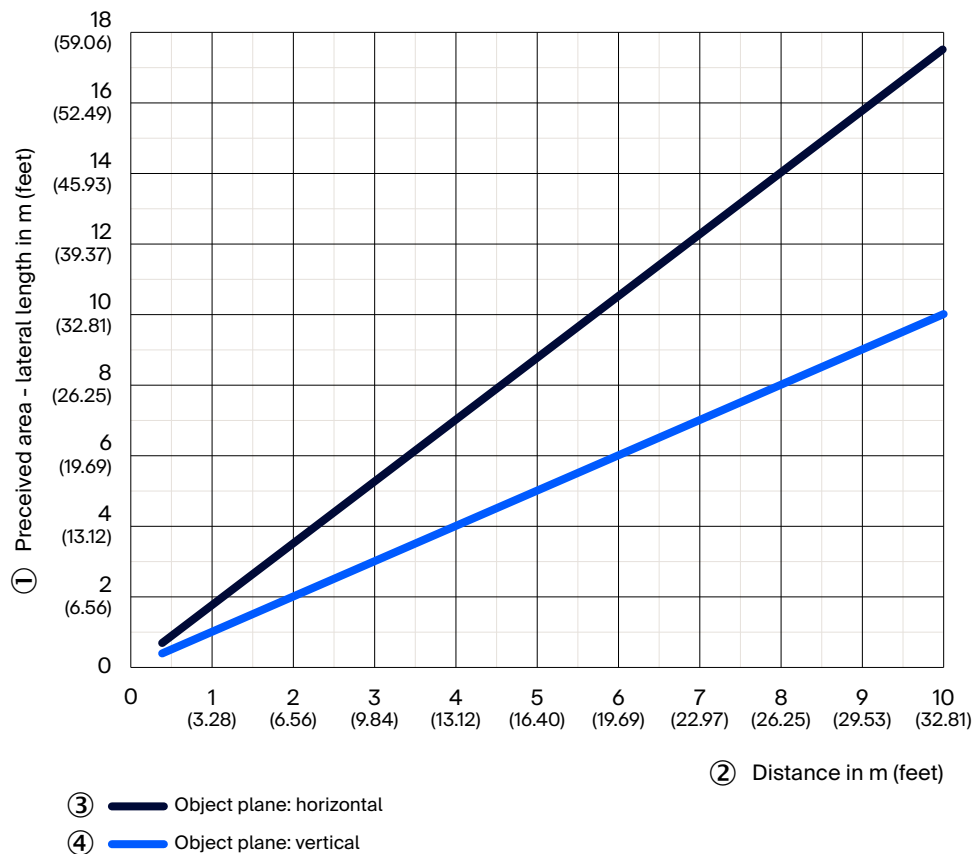
### Pin assignment: Supply voltage & I/O and Ethernet interface



### Connection diagram: Supply voltage & I/O and Ethernet interface



### Field of view - horizontal/vertical



① Perceived area - lateral length in mm (inch)

- ② Distance in mm (inch)
- ③ Object level: horizontal
- ④ Object level: vertical

Recommended accessories

Other models and accessories → [www.sick.com/sensingCam\\_SEC100](http://www.sick.com/sensingCam_SEC100)

	Brief description	Type	part no.
<b>Mounting systems</b>			
	<ul style="list-style-type: none"> <li><b>Description:</b> Sliding nut, M4, short</li> </ul>	Sliding nut	5324897
	<ul style="list-style-type: none"> <li><b>Description:</b> Sliding nut, M5, short</li> <li><b>Usable for:</b> Lector62x, EventCam</li> </ul>	Sliding nut	5324896
	<ul style="list-style-type: none"> <li><b>Description:</b> Mounting set for sensingCam SEC100 consisting of: 1x mounting bracket (U-shaped), 2x M4 screws incl. washers, 2x sliding blocks</li> <li><b>Material:</b> Steel</li> <li><b>Details:</b> Steel, zinc coated</li> <li><b>Suitable for:</b> sensingCam SEC100</li> </ul>	BEF-SEC100	2145053
	<ul style="list-style-type: none"> <li><b>Description:</b> Mounting set for sensingCam SEC100 consisting of: 1x mounting bracket (L-shaped), 2x M4 screws incl. washers</li> <li><b>Material:</b> Steel</li> <li><b>Details:</b> Steel, zinc coated</li> <li><b>Suitable for:</b> sensingCam SEC100</li> </ul>	BEF-SEC100/300	2145070
	<ul style="list-style-type: none"> <li><b>Description:</b> Mounting set for sensingCam SEC100 consisting of: 1x mounting bracket (L-shaped), 2x M4 screws incl. washers</li> <li><b>Material:</b> Steel, metal</li> <li><b>Details:</b> Steel, galvanized (angle), Zinc die cast (clamping bracket)</li> <li><b>Items supplied:</b> Universal clamp (5322626), mounting hardware</li> <li><b>Suitable for:</b> sensingCam SEC100</li> </ul>	BEF-KHS-SEC100/300	2147922
<b>connectors and cables</b>			
	<ul style="list-style-type: none"> <li><b>Description:</b> Sensor/actuator cable, unshielded</li> <li><b>Connection type head A:</b> Female connector, M12, 5-pin, straight, A-coded</li> <li><b>Connection type head B:</b> Flying leads</li> <li><b>Signal type:</b> Sensor/actuator cable</li> <li><b>Cable:</b> 2 m, 5-wire, PUR, halogen-free</li> <li><b>Application:</b> Drag chain operation, Zones with oils and lubricants, Robot, Drag chain operation</li> </ul>	YF2A15-020UB5XLEAX	2095617
	<ul style="list-style-type: none"> <li><b>Connection type head A:</b> Male connector, M12, 4-pin, straight, D-coded</li> <li><b>Connection type head B:</b> Male connector, RJ45, 4-pin, straight</li> <li><b>Signal type:</b> Ethernet, PROFINET</li> <li><b>Cable:</b> 5 m, 4-wire, PUR, halogen-free</li> <li><b>Description:</b> Ethernet, shielded, PROFINET</li> <li><b>Application:</b> Drag chain operation, Zones with oils and lubricants</li> </ul>	YM2D24-050P-N1MRJA4	2106184
	<ul style="list-style-type: none"> <li><b>Description:</b> Unshielded</li> <li><b>Connection type head A:</b> Female connector, M12, 4-pin, straight, A-coded</li> <li><b>Connection systems:</b> Screw-type terminals</li> <li><b>Permitted cross-section:</b> ≤ 0.75 mm<sup>2</sup></li> </ul>	DOS-1204-G	6007302
	<ul style="list-style-type: none"> <li><b>Description:</b> Sensor/actuator cable, unshielded</li> <li><b>Connection type head A:</b> Female connector, M12, 4-pin, straight, A-coded</li> <li><b>Connection type head B:</b> Male connector, M12, 4-pin, straight, A-coded</li> <li><b>Signal type:</b> Sensor/actuator cable</li> <li><b>Cable:</b> 5 m, 4-wire, PVC</li> <li><b>Application:</b> Uncontaminated zones, Zones with chemicals</li> </ul>	YF2A14-050VB3M2A14	2096600
	<ul style="list-style-type: none"> <li><b>Description:</b> Sensor/actuator cable, unshielded</li> <li><b>Connection type head A:</b> Female connector, M12, 4-pin, straight, A-coded</li> <li><b>Connection type head B:</b> Flying leads</li> <li><b>Signal type:</b> Sensor/actuator cable</li> <li><b>Cable:</b> 5 m, 4-wire, PVC</li> <li><b>Application:</b> Uncontaminated zones, Zones with chemicals</li> </ul>	YF2A14-050VB3XLEAX	2096235

## SICK AT A GLANCE

SICK is one of the leading manufacturers of intelligent sensors and sensor solutions for industrial applications. A unique range of products and services creates the perfect basis for controlling processes securely and efficiently, protecting individuals from accidents and preventing damage to the environment.

We have extensive experience in a wide range of industries and understand their processes and requirements. With intelligent sensors, we can deliver exactly what our customers need. In application centers in Europe, Asia and North America, system solutions are tested and optimized in accordance with customer specifications. All this makes us a reliable supplier and development partner.

Comprehensive services complete our offering: SICK LifeTime Services provide support throughout the machine life cycle and ensure safety and productivity.

For us, that is “Sensor Intelligence.”

## WORLDWIDE PRESENCE:

Contacts and other locations –[www.sick.com](http://www.sick.com)