



TMS22B-PKF360

TMS/TMM22

INCLINATION SENSORS

SICK
Sensor Intelligence.

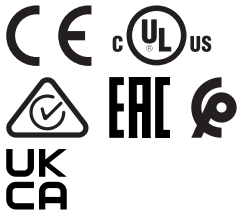


Illustration may differ

Ordering information

| Type | part no. |
|---------------|----------|
| TMS22B-PKF360 | 1142563 |

Other models and accessories → www.sick.com/TMS_TMM22



Detailed technical data

Safety-related parameters

| | |
|--|--|
| MTTF_D (mean time to dangerous failure) | 349 years (EN ISO 13849-1) ¹⁾ |
|--|--|

¹⁾ This product is a standard product and does not constitute a safety component as defined in the Machinery Directive. Calculation based on nominal load of components, average ambient temperature 40 °C, frequency of use 8760 h/a. All electronic failures are considered hazardous. For more information, see document no. 8015532.

Performance

| | |
|---|--------------------------------------|
| Number of axis | 1 |
| Measuring range | 360° |
| Resolution | ≤ 0.01° |
| Static measurement accuracy | Typ. 0.1°, max. 0.2° ¹⁾ |
| Repeatability | Typ. 0.04°, max. 0.12° ²⁾ |
| Temperature coefficient (zero point) | Typ. ±0,0167°/K ³⁾ |
| Limit frequency | 0.1 Hz ... 10 Hz, 2 Hz, default |
| Sampling rate | 400 Hz |

¹⁾ In accordance with DIN ISO 1319-1, position of the upper and lower error limit depends on the installation situation, specified value refers to a symmetrical position, i.e. deviation in upper and lower direction is the same.

²⁾ In accordance with DIN ISO 55350-13; 68.3% of the measured values are inside the specified area.

³⁾ 68.3% of the measured values are inside the specified area.

Interfaces

| | |
|--|-------------------------------|
| Communication interface | Analog / Current |
| Current output | 4 mA ... 20 mA |
| 0-set function via hardware pin | ✓ |
| Load resistance | 200 Ω ... 900 Ω ¹⁾ |
| Status information | |
| | LED |
| | 2x (green/red) |
| | Output signal (error state) |
| | 1...2,5 mA |
| Parameterising data | Measuring range |

¹⁾ At 24 V DC. Value depends on supply voltage and can be found in the operating instructions.

| | |
|----------------------------------|--|
| | Zeroreset Limit frequency Preset value Inverting of counting direction Axis assignment Free adjustable outbound |
| Programmable/configurable | Over PGT-15 |
| Initialization time | 100 ms |

¹⁾ At 24 V DC. Value depends on supply voltage and can be found in the operating instructions.

Electronics

| | |
|--|---|
| Connection type | Cable, 5-wire, with male connector, M12, 5-pin, 5 m |
| Supply voltage | 8 V DC ... 32 V DC |
| Current consumption | < 45 mA (+ I _{loop}) @ 24 V |
| Reverse polarity protection | ✓ |
| Short-circuit protection of the outputs | ✓ |

Mechanics

| | |
|-------------------------|--|
| Dimensions | 38.8 mm x 30 mm x 10.4 mm |
| Weight | Approx. 60 g |
| Housing material | Plastic (PA12), glass-fiber reinforced |
| Material, cable | PUR |

Ambient data

| | |
|------------------------------------|---|
| EMC | EN 61326-1 |
| Enclosure rating | IP66 IP67 IP68 IP69K |
| Operating temperature range | -40 °C ... +80 °C |
| Storage temperature range | -40 °C ... +85 °C |
| Resistance to shocks | 100 g, 6 ms (EN 60068-2-27) |
| Resistance to vibration | 10 g, 10 Hz ... 2,000 Hz (EN 60068-2-6) |

Classifications

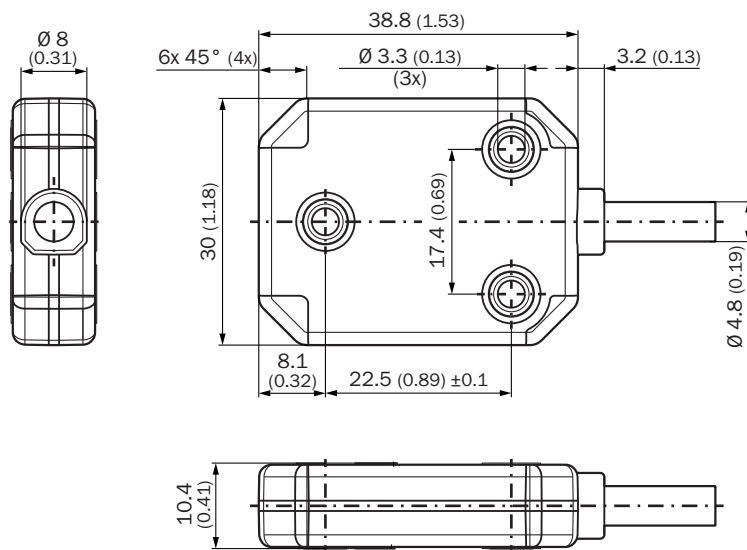
| | |
|---------------------|----------|
| ECLASS 5.0 | 27270790 |
| ECLASS 5.1.4 | 27270790 |
| ECLASS 6.0 | 27270790 |
| ECLASS 6.2 | 27270790 |
| ECLASS 7.0 | 27270790 |
| ECLASS 8.0 | 27270790 |
| ECLASS 8.1 | 27270790 |
| ECLASS 9.0 | 27270790 |
| ECLASS 10.0 | 27271101 |
| ECLASS 11.0 | 27271101 |
| ECLASS 12.0 | 27271101 |
| ETIM 5.0 | EC001852 |

| | |
|-----------------------|----------|
| ETIM 6.0 | EC001852 |
| ETIM 7.0 | EC001852 |
| ETIM 8.0 | EC001852 |
| UNSPSC 16.0901 | 41111613 |

Certificates

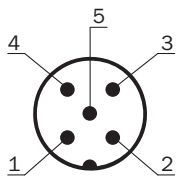
| | |
|---|---|
| EU declaration of conformity | ✓ |
| UK declaration of conformity | ✓ |
| ACMA declaration of conformity | ✓ |
| Moroccan declaration of conformity | ✓ |
| China RoHS | ✓ |
| cULus certificate | ✓ |
| EAC certificate / DoC | ✓ |

Dimensional drawing



Dimensions in mm (inch)

Anschlussbelegung



| PINM12 male connector, 5-pin | Wire colors (cable connection) | SignalTMS22B | SignalTMM22B |
|------------------------------|--------------------------------|--------------------|--------------------|
| 1 | Brown | U _S | U _S |
| 2 | White | OUT 2 (default: Z) | OUT 2 (default: Y) |



| PINM12 male connector, 5-pin | Wire colors (cable connection) | SignalTMS22B | SignalTMM22B |
|------------------------------|--------------------------------|-----------------------|---------------------|
| 3 | Blue | GND | GND |
| 4 | Black | OUT 1 (default: n.c.) | OUT 1 (default: X) |
| 5 | Gray | TEACH ¹⁾ | TEACH ¹⁾ |

¹⁾To activate the zero point setting, connect TEACH (pin 5) to GND (pin 3) for at least 1 second.

Recommended accessories

Other models and accessories → www.sick.com/TMS_TMM22

| | Brief description | Type | part no. |
|---|--|--------------------|----------|
| connectors and cables | | | |
|  | <ul style="list-style-type: none"> Connection type head A: Female connector, M12, 5-pin, straight, A-coded Connection type head B: Flying leads Signal type: Sensor/actuator cable Cable: 1.5 m, 5-wire, PUR, halogen-free Description: Sensor/actuator cable, shielded Application: Drag chain operation, Zones with oils and lubricants, Robot, Drag chain operation | YF2A25-015UB6XLEAX | 2095833 |
|  | <ul style="list-style-type: none"> Connection type head A: Female connector, M12, 5-pin, straight, A-coded Connection type head B: Flying leads Signal type: Sensor/actuator cable Cable: 3 m, 5-wire, PUR, halogen-free Description: Sensor/actuator cable, shielded Application: Drag chain operation, Zones with oils and lubricants, Robot, Drag chain operation | YF2A25-030UB6XLEAX | 2095834 |
|  | <ul style="list-style-type: none"> Connection type head A: Female connector, M12, 5-pin, straight, A-coded Connection type head B: Flying leads Signal type: Sensor/actuator cable Cable: 5 m, 5-wire, PUR, halogen-free Description: Sensor/actuator cable, shielded Application: Drag chain operation, Zones with oils and lubricants, Robot, Drag chain operation | YF2A25-050UB6XLEAX | 2095733 |
|  | <ul style="list-style-type: none"> Connection type head A: Female connector, M12, 5-pin, angled, A-coded Connection type head B: Flying leads Signal type: Sensor/actuator cable Cable: 3 m, 5-wire, PUR, halogen-free Description: Sensor/actuator cable, shielded Application: Drag chain operation, Zones with oils and lubricants, Robot, Drag chain operation | YG2A25-030UB6XLEAX | 2095791 |
|  | <ul style="list-style-type: none"> Connection type head A: Male connector, M12, 5-pin, straight, A-coded Description: Unshielded Connection systems: Screw-type terminals Permitted cross-section: ≤ 0.75 mm² Note: For field bus technology | STE-1205-G | 6022083 |
|  | <ul style="list-style-type: none"> Connection type head A: Female connector, M12, 5-pin, straight, A-coded Description: Unshielded Connection systems: Screw-type terminals Permitted cross-section: ≤ 0.75 mm² | DOS-1205-G | 6009719 |
|  | <ul style="list-style-type: none"> Connection type head A: Female connector, M12, 5-pin, straight, A-coded Connection type head B: Flying leads Signal type: Sensor/actuator cable Cable: 2 m, 5-wire, PUR, halogen-free Description: Sensor/actuator cable, shielded Application: Drag chain operation, Zones with oils and lubricants, Robot, Drag chain operation | YF2A25-020UB6XLEAX | 2145583 |
|  | <ul style="list-style-type: none"> Connection type head A: Female connector, M12, 5-pin, straight, A-coded Connection type head B: Flying leads Signal type: Sensor/actuator cable Cable: 1 m, 5-wire, PUR, halogen-free Description: Sensor/actuator cable, shielded Application: Drag chain operation, Zones with oils and lubricants, Robot, Drag chain operation | YF2A25-010UB6XLEAX | 2145582 |
|  | <ul style="list-style-type: none"> Connection type head A: Female connector, M12, 5-pin, straight, A-coded Connection type head B: Flying leads Signal type: Sensor/actuator cable Cable: 0.6 m, 5-wire, PUR, halogen-free Description: Sensor/actuator cable, shielded Application: Drag chain operation, Zones with oils and lubricants, Robot, Drag chain operation | YF2A25-C60UB6XLEAX | 2145581 |

| | Brief description | Type | part no. |
|---|--|-------------|----------|
| programming devices | | | |
|  | <ul style="list-style-type: none"> • Product segment: Programming devices • Product family: PGT-15 • Description: PC programming unit for programmable TMS/TMM22B inclination sensors. Connects the M12 male connector of the sensor to a PC/laptop, enabling parameterization and diagnostics via SOPAS ET. The cable of the programming unit must not be extended. • Items supplied: 1 x PGT-15-M12 PC programming unit | PGT-15-M12 | 1131448 |
|  | <ul style="list-style-type: none"> • Product segment: Programming devices • Product family: PGT-15 • Description: PC programming unit for programmable TMS/TMM22B inclination sensors. Connects the strands of the sensor to a PC/laptop via the terminal box, enabling parameterization and diagnostics via SOPAS ET. The cable of the programming unit must not be extended. • Items supplied: 1 x PGT-15-WIRE PC programming unit | PGT-15-WIRE | 1131450 |

SICK AT A GLANCE

SICK is one of the leading manufacturers of intelligent sensors and sensor solutions for industrial applications. A unique range of products and services creates the perfect basis for controlling processes securely and efficiently, protecting individuals from accidents and preventing damage to the environment.

We have extensive experience in a wide range of industries and understand their processes and requirements. With intelligent sensors, we can deliver exactly what our customers need. In application centers in Europe, Asia and North America, system solutions are tested and optimized in accordance with customer specifications. All this makes us a reliable supplier and development partner.

Comprehensive services complete our offering: SICK LifeTime Services provide support throughout the machine life cycle and ensure safety and productivity.

For us, that is “Sensor Intelligence.”

WORLDWIDE PRESENCE:

Contacts and other locations –www.sick.com