



# PLB-51B0101

PLB

ROBOT GUIDANCE SYSTEMS

**SICK**  
Sensor Intelligence.



## Ordering information

Type	part no.
PLB-51B0101	1141939

Other models and accessories → [www.sick.com/PLB](http://www.sick.com/PLB)



## Detailed technical data

### Features

<b>Product version</b>	PLB-522
<b>Field of view</b>	Medium
<b>Classification</b>	Pro
<b>Tasks</b>	Position determination
<b>Applications</b>	Robot guidance
<b>Camera type</b>	3D snapshot
<b>Example volume of view (L x W x H)</b>	600 mm x 550 mm x 400 mm
<b>Image resolution</b>	0.3 mm ... 0.4 mm, depending on the distance to the camera
<b>Light source</b>	LED, blue, 465 nm
<b>LED class</b>	Risk group 1
<b>3D CAD format</b>	IGES, STEP
<b>Localization principle</b>	CAD-model, geometrical shape and edge localization
<b>Technology</b>	3D snapshot, image analysis

### Mechanics/electronics

<b>Connection type</b>	PoE++
<b>Supply voltage</b>	24 V DC or PoE PD class 8 (90W)
<b>Current consumption</b>	10 A
<b>Dimensions (L x W x H)</b>	506 mm x 58 mm x 100 mm
<b>Weight</b>	1,160 g
<b>Enclosure rating</b>	IP65/ IP67

### Performance

<b>Part localization time</b>	0.1 s ... 10 s, typical
<b>Part size</b>	(approx.) > 10 mm x 10 mm x 10 mm
<b>Part characteristics</b>	Simple and complex part shapes
<b>2D colour sensor resolution</b>	2 MP (1920 px x 1200 px)
<b>3D sensor resolution</b>	5 MP (2472 px x 2064 px)

### Interfaces

<b>Ethernet</b>	✓ (2) , camera <--> PC, PC<--> robot
-----------------	--------------------------------------

Data transmission rate	1 Gbit/s (camera), 10/100 Mbit/s (robot)
Protocol	TCP/IP (camera)
Electrical connection	M12 female connector, 8-pin, X-coded

#### Ambient data

<b>Ambient temperature, operation</b>	0 °C ... +40 °C, Non-condensing
<b>Shock load</b>	60 g / 1,9 ms, 25 g / 6 ms <sup>1)</sup>
<b>Vibration load</b>	30-500 Hz / 5 g

<sup>1)</sup> IEC 60068-2-27.

#### General notes

<b>Items supplied</b>	C57 camera PLB Application Software
<b>Factory calibrated</b>	✓

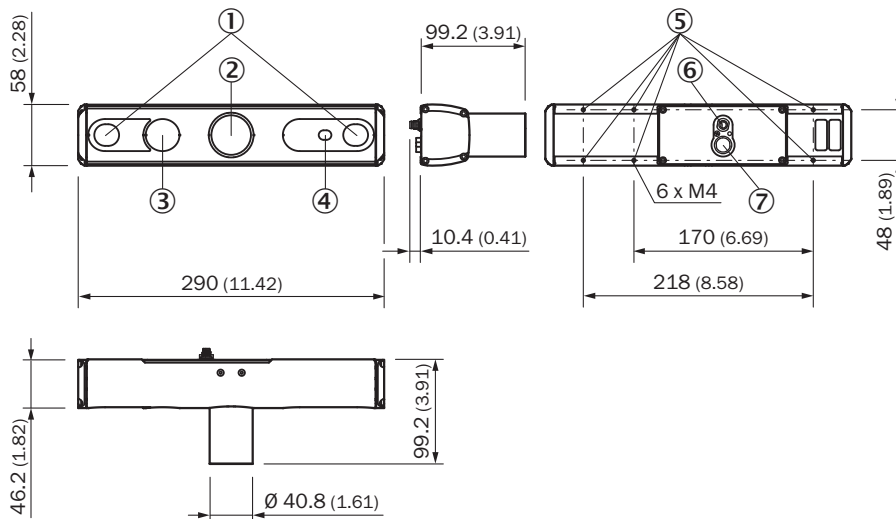
#### Certificates

<b>EU declaration of conformity</b>	✓
<b>UK declaration of conformity</b>	✓
<b>ACMA declaration of conformity</b>	✓
<b>China RoHS</b>	✓
<b>Information according to Art. 3 of Data Act (Regulation EU 2023/2854)</b>	✓

#### Classifications

<b>ECLASS 5.0</b>	27381501
<b>ECLASS 5.1.4</b>	27381501
<b>ECLASS 6.0</b>	27381590
<b>ECLASS 6.2</b>	27381590
<b>ECLASS 7.0</b>	27381590
<b>ECLASS 8.0</b>	27381590
<b>ECLASS 8.1</b>	27381590
<b>ECLASS 9.0</b>	27381590
<b>ECLASS 10.0</b>	27381590
<b>ECLASS 11.0</b>	27381591
<b>ECLASS 12.0</b>	27381591

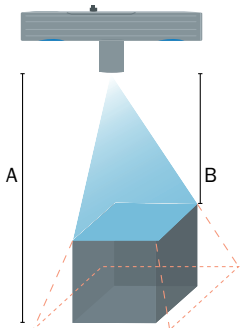
### Dimensional drawing



Dimensions in mm (inch)

- ① 3D sensors
- ② Projector
- ③ LED projection module
- ④ 2D sensor
- ⑤ Fastening threads (6x M4x0,7)
- ⑥ Power (M8, 4-pin)
- ⑦ Ethernet (M12, 8 pin, x-coded)


### Detection volume and field of view



Parameter	PLB-522 small	PLB-522 medium	PLB-522 large
Image resolution	0.2 mm ... 0.3 mm, depending on the distance to the camera	0.3 mm ... 0.4 mm, depending on the distance to the camera	0.3 mm ... 0.6 mm, depending on the distance to the camera
Part size	(approx.) > 10 mm x 10 mm x 10 mm	(approx.) > 10 mm x 10 mm x 10 mm	(approx.) > 20 mm x 20 mm x 20 mm
Min. distance	910 mm	860 mm	750 mm
Max. distance	1060 mm	1140 mm	1450 mm
Field of view at min. distance (L x W)	470 mm x 400 mm	660 mm x 560 mm	770 mm x 650 mm
Field of view at max. distance (L x W)	510 mm x 460 mm	800 mm x 740 mm	1270 mm x 1250 mm
Example volume of view (L x W x H)	200 mm x 450 mm x 100 mm	600 mm x 550 mm x 400 mm	700 mm x 600 mm x 600 mm

### Recommended accessories

Other models and accessories → [www.sick.com/PLB](http://www.sick.com/PLB)

	Brief description	Type	part no.
Power supply units and power supply cables			
	<ul style="list-style-type: none"> <li>• <b>Input voltage:</b> ≤ 230 V AC</li> <li>• <b>Output voltage:</b> 24 V DC</li> <li>• <b>Output current:</b> 10 A</li> <li>• <b>Description:</b> Power supply unit</li> </ul>	Power supply unit	6032863

## SICK AT A GLANCE

SICK is one of the leading manufacturers of intelligent sensors and sensor solutions for industrial applications. A unique range of products and services creates the perfect basis for controlling processes securely and efficiently, protecting individuals from accidents and preventing damage to the environment.

We have extensive experience in a wide range of industries and understand their processes and requirements. With intelligent sensors, we can deliver exactly what our customers need. In application centers in Europe, Asia and North America, system solutions are tested and optimized in accordance with customer specifications. All this makes us a reliable supplier and development partner.

Comprehensive services complete our offering: SICK LifeTime Services provide support throughout the machine life cycle and ensure safety and productivity.

For us, that is “Sensor Intelligence.”

## WORLDWIDE PRESENCE:

Contacts and other locations –[www.sick.com](http://www.sick.com)