



DAXTVN-0500RA130100500

DAX

MAGNETOSTRICTIVE LINEAR ENCODERS

SICK
Sensor Intelligence.



Illustration may differ

Ordering information

| Type | part no. |
|------------------------|----------|
| DAXTVN-0500RA130100500 | 1140339 |

Other models and accessories → www.sick.com/DAX



Detailed technical data

Safety-related parameters

| | |
|--|-------------------------|
| MTTF_D (mean time to dangerous failure) | 123 years ¹⁾ |
|--|-------------------------|

¹⁾ This product is a standard product and does not constitute a safety component as defined in the Machinery Directive. Calculation based on nominal load of components, average ambient temperature 40 °C, frequency of use 8760 h/a. All electronic failures are considered hazardous. For more information, see document no. 8015532.

Performance

| | |
|---------------------------------------|---|
| Linearity | ≤ 0.02% F.S. (Minimum 60 μm) ^{1) 2)} |
| Repeatability | ≤ ± 20 μm |
| Measured values | Positioning |
| Measuring range | 0 mm ... 500 mm |
| Unusable range | |
| Null zone | 50 mm |
| Damping zone | 63 mm |
| Magnet type | |
| Magnet shape | Ring magnet |
| Configured for number of magnets | 1 piece |
| Magnet travel speed | Any |
| Measuring frequency (internal) | < 2 ms |

¹⁾ Systematic position measurement deviation according to DIN ISO 1319-1 (value includes all systematic errors or deviations from the actual position value, e.g. repeatability and hysteresis).

²⁾ In principle, the size of the measurement deviation is limited by the resolution of the interface.

Interfaces

| | |
|---------------------------------------|---|
| Communication interface | Analog |
| Communication Interface detail | Voltage |
| Output signal | 10 V ... 0 V |
| Signals | |
| Number of signals | Two output signals (one output signal + an inverted second output signal) |
| Sequence of signals | Signal 1: falling, signal 2: rising |
| Load resistance | > 10 kΩ |

Electronics

| | |
|------------------------------------|--|
| Connection type | Male connector, M12, 5-pin |
| Pinouts | 1=+24 V DC; 2=Signal 1; 3=Power ground; 4=Signal 2; 5=Output signal ground (0 V) |
| Male connector coding | A-coded |
| Supply voltage | 24 V DC ($\pm 20\%$) |
| Reverse polarity protection | Up to -30 V DC |
| Residual ripple | $\leq 0.28 V_{pp}$ |
| Dielectric strength | 500 V DC, 0 V against housing |
| Over voltage protection | ≤ 36 V DC |

Mechanics

| | |
|--------------------------|---|
| Mechanical design | DAX Threaded |
| Thread | |
| Thread shape | M18 x 1.5 |
| Thread offset | Without thread offset |
| Material | |
| Pressure pipe | Stainless steel 1.4404 (AISI 316L) |
| Housing | Aluminum (anodised), zinc, stainless steel, brass |
| Flange | Stainless steel 1.4305 (AISI 303) |

Ambient data

| | |
|--|---|
| EMC | According to EN 61000-6-2 and EN 61000-6-4 |
| Enclosure rating | IP65 / IP67 ¹⁾ |
| Temperature | |
| Operating temperature range | -40 °C ... $+85$ °C |
| Storage temperature range | -40 °C ... $+65$ °C ²⁾ |
| Permissible relative humidity | 90 % (Condensation not permitted) |
| Resistance to shocks | 100 g, 6 ms (IEC 60068-2-27) |
| Resistance to vibration | 15 g / 10...2,000 Hz according to IEC 60068-2-6 |
| Nominal operating pressure (P_N) | 350 bar |
| Max. overload pressure during operation ($P_N \times 1.2$) | 420 bar |
| Max. test pressure in cylinder ($P_N \times 1.5$) | 530 bar |

¹⁾ In correctly assembled mating connector.

²⁾ Caused by dry storage of the O-ring in uninstalled state (no coating with oil).

General notes

| | |
|-----------------------|---|
| Items supplied | Accessories not included with delivery, please order separately. Delivery without position magnet. |
|-----------------------|---|

Certificates

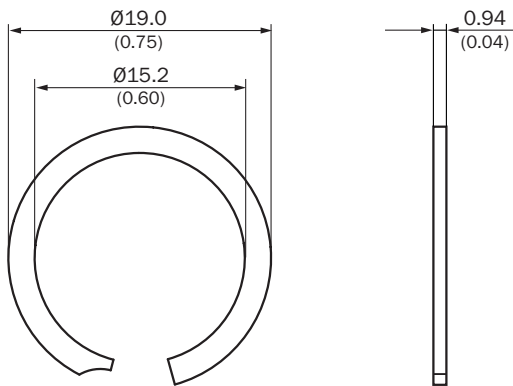
| | |
|---------------------------------------|---|
| EU declaration of conformity | ✓ |
| UK declaration of conformity | ✓ |
| ACMA declaration of conformity | ✓ |

| | |
|--|---|
| Moroccan declaration of conformity | ✓ |
| China RoHS | ✓ |
| cULus certificate | ✓ |
| Information according to Art. 3 of Data Act (Regulation EU 2023/2854) | ✓ |

Classifications

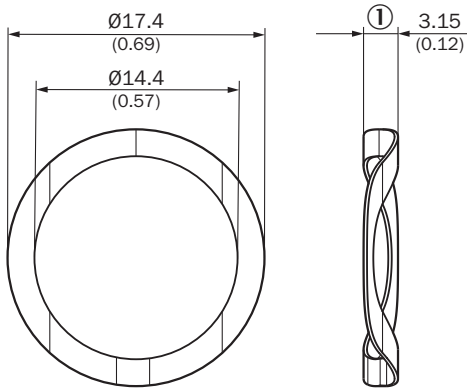
| | |
|-----------------------|----------|
| ECLASS 5.0 | 27270705 |
| ECLASS 5.1.4 | 27270705 |
| ECLASS 6.0 | 27270705 |
| ECLASS 6.2 | 27270705 |
| ECLASS 7.0 | 27270705 |
| ECLASS 8.0 | 27270705 |
| ECLASS 8.1 | 27270705 |
| ECLASS 9.0 | 27270705 |
| ECLASS 10.0 | 27270705 |
| ECLASS 11.0 | 27270705 |
| ECLASS 12.0 | 27274304 |
| ETIM 5.0 | EC002544 |
| ETIM 6.0 | EC002544 |
| ETIM 7.0 | EC002544 |
| ETIM 8.0 | EC002544 |
| UNSPSC 16.0901 | 41111613 |

circlip



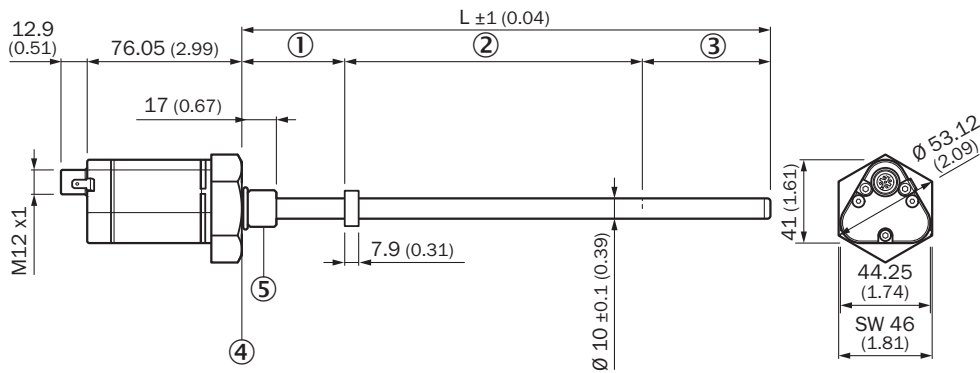
Dimensions in mm (inch)

corrugated spring washer



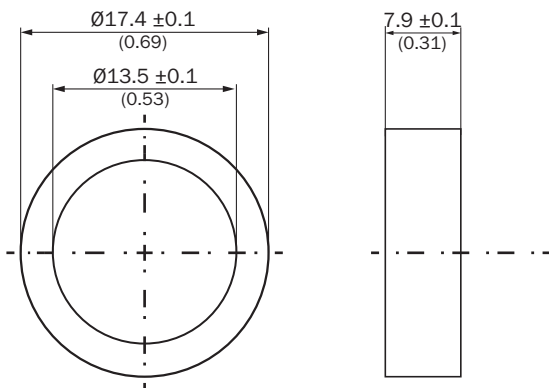
Dimensions in mm (inch)
① Free height

DAX Threaded



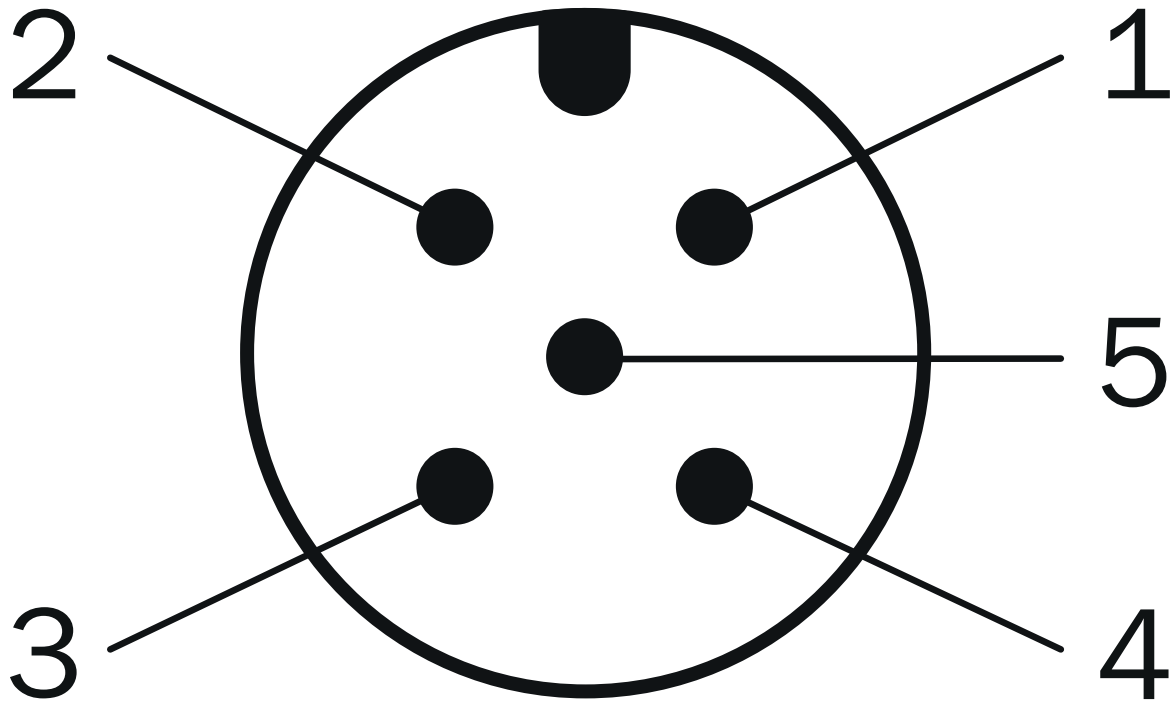
Dimensions in mm (inch)
① null zone
② Measuring range
③ damping zone
④ Flat support surface
⑤ M18x1.5 / UNF 3/4"-16

Position magnet



Dimensions in mm (inch)





Anschlussbelegung



| Plug, M12, 5-pin | Signal |
|------------------|----------------------------|
| 1 | +24 V DC |
| 2 | Signal 1 |
| 3 | Power Ground |
| 4 | Signal 2 |
| 5 | Output signal ground (0 V) |

Recommended accessories

Other models and accessories → www.sick.com/DAX

| | Brief description | Type | part no. |
|---|--|---------------|----------|
| magnets | | | |
|  | <ul style="list-style-type: none"> Product segment: Magnets Product: Position magnets Description: Position magnet for magnetostrictive linear encoders Installation: in hydraulic cylinder using corrugated spring washer SICK part no. 2116431 Temperature range: -40 °C ... +100 °C Dimensions: 17.4x13.5x7.9 mm Media: lubricants, hydraulic oils, no aggressive fluids (e.g., acids or bases) | MAG-O-S174-01 | 2124594 |
|  | <ul style="list-style-type: none"> Product segment: Magnets Product: Position magnets Description: Position magnet for magnetostrictive linear encoders Installation: in hydraulic cylinder using corrugated spring washer SICK part no. 2116431 Temperature range: -40 °C ... +100 °C Dimensions: 17.4x13.5x7.9 mm Media: lubricants, hydraulic oils, no aggressive fluids (e.g., acids or bases) | MAG-O-S174-05 | 2124595 |
|  | <ul style="list-style-type: none"> Product segment: Magnets Product: Position magnets Description: Position magnet for magnetostrictive linear encoders Installation: in hydraulic cylinder using corrugated spring washer SICK part no. 2116431 Temperature range: -40 °C ... +100 °C Dimensions: 17.4x13.5x7.9 mm Media: lubricants, hydraulic oils, no aggressive fluids (e.g., acids or bases) | MAG-O-S174-10 | 2124596 |
|  | <ul style="list-style-type: none"> Product segment: Magnets Product: Position magnets Description: Position magnet for magnetostrictive linear encoders Installation: in hydraulic cylinder using corrugated spring washer SICK part no. 2116431 Temperature range: -40 °C ... +100 °C Dimensions: 17.4x13.5x7.9 mm Media: lubricants, hydraulic oils, no aggressive fluids (e.g., acids or bases) | MAG-O-S174-50 | 2124597 |

| | Brief description | Type | part no. |
|---|--|--------------|----------|
| Mounting systems | | | |
|  | <ul style="list-style-type: none"> • Description: Corrugated spring washer for installing the position magnets in the piston of the hydraulic cylinder • Material: Stainless steel • Details: 1.4568 (17-7 PH Condition CH900) • Packing unit: 50 pieces | BEF-MK-WF-50 | 2116435 |
|  | <ul style="list-style-type: none"> • Description: Corrugated spring washer for installing the position magnets in the piston of the hydraulic cylinder • Material: Stainless steel • Details: 1.4568 (17-7 PH Condition CH900) • Packing unit: 10 pieces | BEF-MK-WF-10 | 2116433 |
|  | <ul style="list-style-type: none"> • Description: Corrugated spring washer for installing the position magnets in the piston of the hydraulic cylinder • Material: Stainless steel • Details: 1.4568 (17-7 PH Condition CH900) • Packing unit: 5 pieces | BEF-MK-WF-05 | 2116432 |
|  | <ul style="list-style-type: none"> • Description: Corrugated spring washer for installing the position magnets in the piston of the hydraulic cylinder • Material: Stainless steel • Details: 1.4568 (17-7 PH Condition CH900) • Packing unit: 1 piece | BEF-MK-WF-01 | 2116431 |
|  | <ul style="list-style-type: none"> • Description: Retaining ring for installing the position magnets in the piston of the hydraulic cylinder • Material: Stainless steel • Details: Stainless steel 1.4319 • Packing unit: 50 pieces | BEF-MK-SR-50 | 2116440 |
|  | <ul style="list-style-type: none"> • Description: Retaining ring for installing the position magnets in the piston of the hydraulic cylinder • Material: Stainless steel • Details: Stainless steel 1.4319 • Packing unit: 10 pieces | BEF-MK-SR-10 | 2116439 |
|  | <ul style="list-style-type: none"> • Description: Retaining ring for installing the position magnets in the piston of the hydraulic cylinder • Material: Stainless steel • Details: Stainless steel 1.4319 • Packing unit: 5 pieces | BEF-MK-SR-05 | 2116438 |
|  | <ul style="list-style-type: none"> • Description: Retaining ring for installing the position magnets in the piston of the hydraulic cylinder • Material: Stainless steel • Details: Stainless steel 1.4319 • Packing unit: 1 piece | BEF-MK-SR-01 | 2116437 |

| | Brief description | Type | part no. |
|---|--|--------------------|----------|
| connectors and cables | | | |
|  | <ul style="list-style-type: none"> Description: Unshielded Connection type head A: Male connector, M12, 5-pin, straight, A-coded Connection systems: Screw-type terminals Permitted cross-section: ≤ 0.75 mm² Note: For field bus technology | STE-1205-G | 6022083 |
|  | <ul style="list-style-type: none"> Description: Sensor/actuator cable, shielded Connection type head A: Female connector, M12, 5-pin, straight, A-coded Connection type head B: Flying leads Signal type: Sensor/actuator cable Cable: 1.5 m, 5-wire, PUR, halogen-free Application: Drag chain operation, Zones with oils and lubricants, Robot, Drag chain operation | YF2A25-015UB6XLEAX | 2095833 |
|  | <ul style="list-style-type: none"> Description: Sensor/actuator cable, shielded Connection type head A: Female connector, M12, 5-pin, straight, A-coded Connection type head B: Flying leads Signal type: Sensor/actuator cable Cable: 3 m, 5-wire, PUR, halogen-free Application: Drag chain operation, Zones with oils and lubricants, Robot, Drag chain operation | YF2A25-030UB6XLEAX | 2095834 |
|  | <ul style="list-style-type: none"> Description: Sensor/actuator cable, shielded Connection type head A: Female connector, M12, 5-pin, angled, A-coded Connection type head B: Flying leads Signal type: Sensor/actuator cable Cable: 3 m, 5-wire, PUR, halogen-free Application: Drag chain operation, Zones with oils and lubricants, Robot, Drag chain operation | YG2A25-030UB6XLEAX | 2095791 |
|  | <ul style="list-style-type: none"> Description: Sensor/actuator cable, shielded Connection type head A: Female connector, M12, 5-pin, angled, A-coded Connection type head B: Flying leads Signal type: Sensor/actuator cable Cable: 5 m, 5-wire, PUR, halogen-free Application: Drag chain operation, Zones with oils and lubricants, Robot, Drag chain operation | YG2A25-050UB6XLEAX | 2095792 |
|  | <ul style="list-style-type: none"> Description: Sensor/actuator cable, shielded Connection type head A: Female connector, M12, 5-pin, angled, A-coded Connection type head B: Flying leads Signal type: Sensor/actuator cable Cable: 10 m, 5-wire, PUR, halogen-free Application: Drag chain operation, Zones with oils and lubricants, Robot, Drag chain operation | YG2A25-100UB6XLEAX | 2095793 |
|  | <ul style="list-style-type: none"> Description: Unshielded Connection type head A: Female connector, M12, 5-pin, straight, A-coded Connection systems: Screw-type terminals Permitted cross-section: ≤ 0.75 mm² | DOS-1205-G | 6009719 |
|  | <ul style="list-style-type: none"> Description: Sensor/actuator cable, shielded Connection type head A: Female connector, M12, 5-pin, angled, A-coded Connection type head B: Flying leads Signal type: Sensor/actuator cable Cable: 0.6 m, 5-wire, PUR, halogen-free Application: Drag chain operation, Zones with oils and lubricants, Robot, Drag chain operation | YG2A25-C60UB6XLEAX | 2145612 |
|  | <ul style="list-style-type: none"> Description: Sensor/actuator cable, shielded Connection type head A: Female connector, M12, 5-pin, angled, A-coded Connection type head B: Flying leads Signal type: Sensor/actuator cable Cable: 1 m, 5-wire, PUR, halogen-free Application: Drag chain operation, Zones with oils and lubricants, Robot, Drag chain operation | YG2A25-010UB6XLEAX | 2145613 |
|  | <ul style="list-style-type: none"> Description: Sensor/actuator cable, shielded Connection type head A: Female connector, M12, 5-pin, angled, A-coded Connection type head B: Flying leads Signal type: Sensor/actuator cable Cable: 2 m, 5-wire, PUR, halogen-free Application: Drag chain operation, Zones with oils and lubricants, Robot, Drag chain operation | YG2A25-020UB6XLEAX | 2145614 |

SICK AT A GLANCE

SICK is one of the leading manufacturers of intelligent sensors and sensor solutions for industrial applications. A unique range of products and services creates the perfect basis for controlling processes securely and efficiently, protecting individuals from accidents and preventing damage to the environment.

We have extensive experience in a wide range of industries and understand their processes and requirements. With intelligent sensors, we can deliver exactly what our customers need. In application centers in Europe, Asia and North America, system solutions are tested and optimized in accordance with customer specifications. All this makes us a reliable supplier and development partner.

Comprehensive services complete our offering: SICK LifeTime Services provide support throughout the machine life cycle and ensure safety and productivity.

For us, that is “Sensor Intelligence.”

WORLDWIDE PRESENCE:

Contacts and other locations –www.sick.com