



DATA SHEET

PM4-A222110000000

Mirror
Reflectors and optics

SICK Sensor Intelligence

REFLECTORS AND OPTICS

PM4- A222110000000

ORDERING INFORMATION

Type	part no.
PM4-A222110000000	1138919

Further device versions and accessories at www.sick.com/Mirror

DETAILED TECHNICAL DATA

FEATURES

Description	PM4 mirror column with fixed mirror for beam deflection. Allows multi-sided access protection.
Mounting system type	Mechanical anchoring to the floor
Items supplied	PM4 mirror column with pre-assembled alignment plate and removable end cap Base plate with spirit level, fine alignment wheel and setscrews M8 screws and washers for mounting the alignment plate on the base plate Operating instructions for download
Column height	2,224.5 mm
Mirror height	2,152 mm
Mirror width	125 mm
Suitable for device variants	deTec safety light curtain deTem safety light-beam sensor
	Protective field height \leq 1,950 mm Any
Suitable for	Safety light curtains Safety light-beam sensors
Type of diversion	Horizontal

FUNCTIONS

Alignment	The complete alignment process involves leveling the base plate and rotating the alignment plate at the foot of the column.
Alignment aid mark (-45°, 0°, 45°)	✓
Fine alignment wheel	✓
Setscrews for leveling	✓

Spirit level	✓
--------------	---

MECHANICS

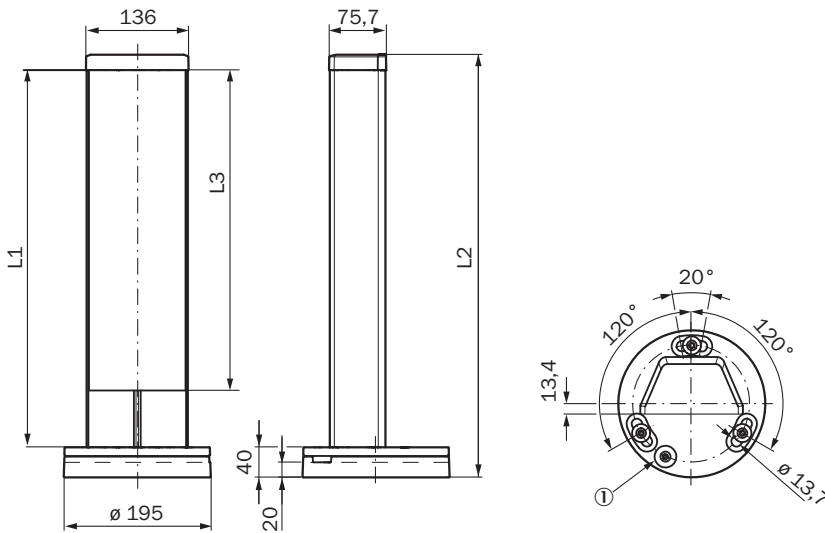
Material	Column profile	Aluminum (powder-coating)
	Alignment plate	Aluminum (powder-coating)
	Base plate	Aluminum (powder-coating)
	Fine alignment wheel	PA6
	End cap	ABS
Dimensions		See dimensional drawing
	L1	2,164 mm ¹⁾
	L2	2,224.5 mm ²⁾
	L3	2,152 mm ³⁾
	Cross-section of column profile	136 mm x 75.7 mm
Weight	Diameter of base plate	195 mm
		12.76 kg

¹⁾ L1 = Column profile height.

²⁾ L2 = Column height (incl. base plate, alignment plate and end cap).

³⁾ L3 = Mirror height.

DIMENSIONAL DRAWING PM4



Dimensions in mm (inch)

① Fine alignment wheel

Type	Part no.	L1 = Column profile height	L2 = Column height (incl. base plate, alignment plate and end cap)	L3 = Mirror height
PM4-A099110000000	1138910	934	994,5	802
PM4-A109110000000	1138911	1034	1094,5	952
PM4-A119110000000	1138912	1134	1194,5	1102
PM4-A129110000000	1138913	1234	1294,5	1102
PM4-A147110000000	1138914	1414	1474,5	1402
PM4-A162110000000	1138915	1564	1625,5	1552
PM4-A177110000000	1138916	1714	1774,5	1702
PM4-A192110000000	1138917	1864	1924,5	1852
PM4-A207110000000	1138918	2014	2074,5	2002
PM4-A222110000000	1138919	2164	2224,5	2152

Type	Part no.	L1 = Column profile height	L2 = Column height (incl. base plate, alignment plate and end cap)	L3 = Mirror height
PM4-A237110000000	1138920	2314	2374,5	2213

Further information as well as suitable accessories, example applications and downloads such as CAD dimensional models, operating instructions and software can be found at www.sick.com/1138919



SICK AG
WALDKIRCH
GERMANY
SICK.COM

SICK AT A GLANCE

SICK is a leading global technology company for intelligent sensors and integrated solutions in industrial automation. Our technologies set benchmarks, making your industrial processes more efficient, safer and more sustainable – both in logistics and manufacturing operations.

SICK combines sensor intelligence with industry expertise and certified consulting services. We provide the ideal foundation for scalable as well as tailor-made automation solutions and create added value along the entire value chain. Our close partnerships with our customers are more than just a promise: Together, we optimize productivity, improve quality, protect health and safety, and help build a sustainable future. All with empathy and trust.

Since 1946, we have been developing innovative technologies with passion and a pioneering spirit. With a global network in around 40 countries, SICK has a global presence and is always close by. The company's headquarters are located in Waldkirch near Freiburg, Germany. Our customers benefit from our understanding of both local and global requirements, which enables us to deliver tailor-made solutions

SICK
Sensor Intelligence