

SICK.COM



DATA SHEET

**DAXSAN-1500SA000900D00**

DAX  
Magnetostrictive linear encoders

**SICK** Sensor Intelligence

## MAGNETOSTRICTIVE LINEAR ENCODERS

## DAXSAN-1500SA000900



Illustration may differ

## ORDERING INFORMATION

| Type                   | part no. |
|------------------------|----------|
| DAXSAN-1500SA000900D00 | 1138222  |

Further device versions and accessories at [www.sick.com/DAX](http://www.sick.com/DAX)

## DETAILED TECHNICAL DATA

## SAFETY-RELATED PARAMETERS

|  |                         |
|--|-------------------------|
| MTTF <sub>D</sub> (mean time to dangerous failure) | 123 years <sup>1)</sup> |
|--|-------------------------|

<sup>1)</sup> This product is a standard product and does not constitute a safety component as defined in the Machinery Directive. Calculation based on nominal load of components, average ambient temperature 40°C, frequency of use 8760 h/a. All electronic failures are considered hazardous. For more information, see document no. 8015532.

## PERFORMANCE

|                                |   |                           |
|--------------------------------|---|---------------------------|
| Linearity                      | ≤ 0.02% F.S. (Minimum 60 μm) <sup>1) 2)</sup> |                           |
| Repeatability                  | ≤ ± 20 μm                                     |                           |
| Measured values                | Positioning                                   |                           |
| Measuring range                | 0 mm ... 1,500 mm                             |                           |
| Unusable range                 | Null zone                                     | 25 mm                     |
|                                | Damping zone                                  | 63 mm                     |
| Magnet type                    | Magnet shape                                  | Slide magnet MAG-S-H29-01 |
|                                | Configured for number of magnets              | 1 piece                   |
| Magnet travel speed            | ≤ 10 m/s                                      |                           |
| Measuring frequency (internal) | < 2 ms  |                           |

<sup>1)</sup> Systematic position measurement deviation according to DIN ISO 1319-1 (value includes all systematic errors or deviations from the actual position value, e.g. repeatability and hysteresis).

<sup>2)</sup> In principle, the size of the measurement deviation is limited by the resolution of the interface.

**INTERFACES**

|                                |  |
|--------------------------------|--|
| Communication interface        | -  |
| Communication Interface detail | Current                                  |
| Output signal                  | 4 mA ... 20 mA                           |
| Signals                        | Number of signals<br>Sequence of signals |
|                                | One output signal<br>Rising              |
| Load resistance                | 100 Ω ... 500 Ω                          |

**ELECTRONICS**

|                             |  |
|-----------------------------|--|
| Connection type             | Male connector, M12, 5-pin   |
| Pinouts                     | 1=+24 V DC; 2=Signal 1; 3=Power ground; 4=N.C.; 5=Output signal ground (0 V) |
| Male connector coding       | A-coded  |
| Supply voltage              | 24 V DC (± 20%)  |
| Current consumption         | 50...100 mA  |
| Reverse polarity protection | Up to -30 V DC   |
| Residual ripple             | ≤ 0.28 V <sub>pp</sub>   |
| Dielectric strength         | 500 V DC, 0 V against housing  |
| Over voltage protection     | ≤ 36 V DC  |

**MECHANICS**

|                   |   |
|-------------------|---|
| Mechanical design | DAX Slider  |
| Material          | Housing<br>Mounting bracket   |
|                   | Aluminum (anodised), zinc, stainless steel, brass<br>Stainless steel 1.4301 |

**AMBIENT DATA**

|                               |  |
|-------------------------------|--|
| EMC                           | According to EN 61000-6-2 and EN 61000-6-4               |
| Enclosure rating              | IP65, IP67 <sup>1)</sup>                                 |
| Temperature                   | Operating temperature range<br>Storage temperature range |
|                               | -40 °C ... +85 °C<br>-40 °C ... +85 °C                   |
| Permissible relative humidity | 90 % (Condensation not permitted)                        |
| Resistance to shocks          | 100 g, 6 ms (IEC 60068-2-27)                             |
| Resistance to vibration       | 15 g / 10...2,000 Hz according to IEC 60068-2-6          |

<sup>1)</sup> In correctly assembled mating connector.

**GENERAL NOTES**

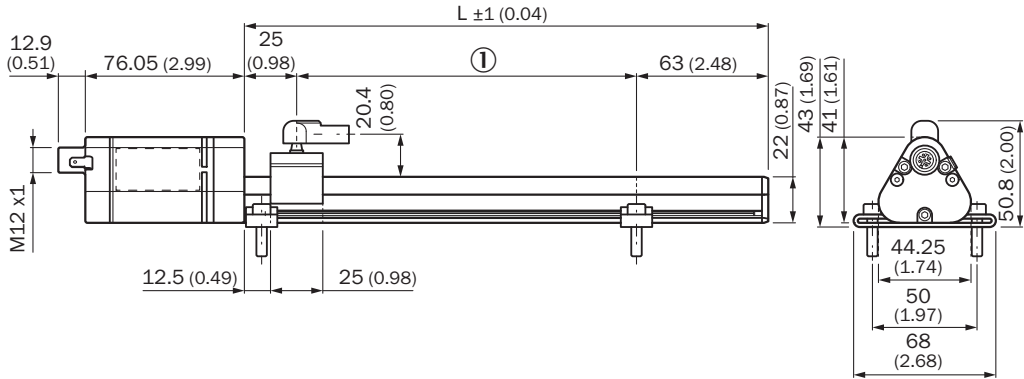
|                |  |
|----------------|--|
| Items supplied | Mounting brackets and position magnet included. Mounting material for base not included. |
|----------------|--|

**CERTIFICATES**

|                                    |   |
|------------------------------------|---|
| EU declaration of conformity       | ✓ |
| UK declaration of conformity       | ✓ |
| ACMA declaration of conformity     | ✓ |
| Moroccan declaration of conformity | ✓ |
| China RoHS                         | ✓ |

|   |   |
|---|---|
| cULus certificate   | ✓ |
| Information according to Art. 3 of Data Act (Regulation EU 2023/2854) | ✓ |

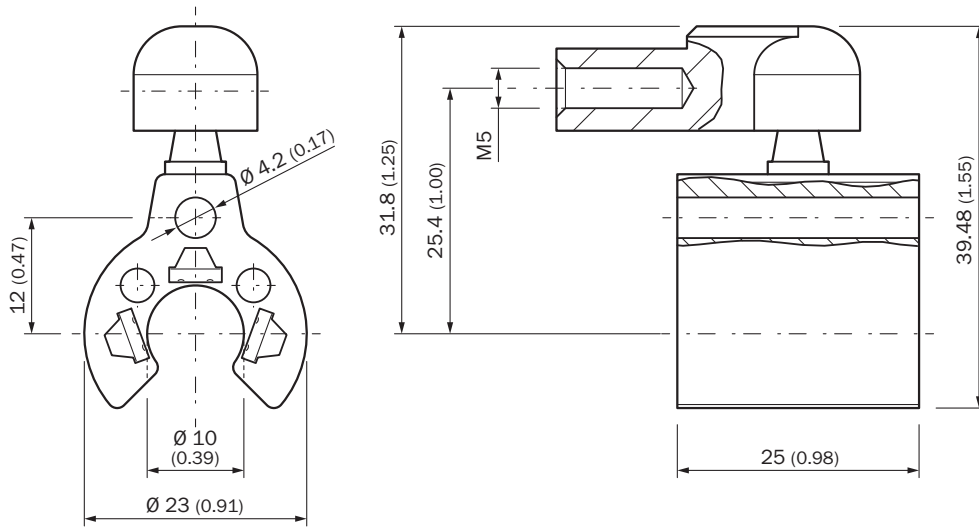
**DAX SLIDER**



Dimensions in mm (inch)

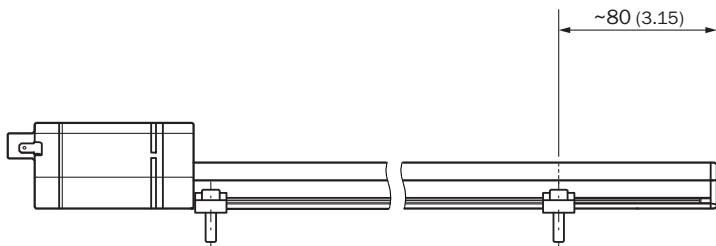
① Measuring range

**SLIDE MAGNET MAG-S-H29-01 (2129172)**



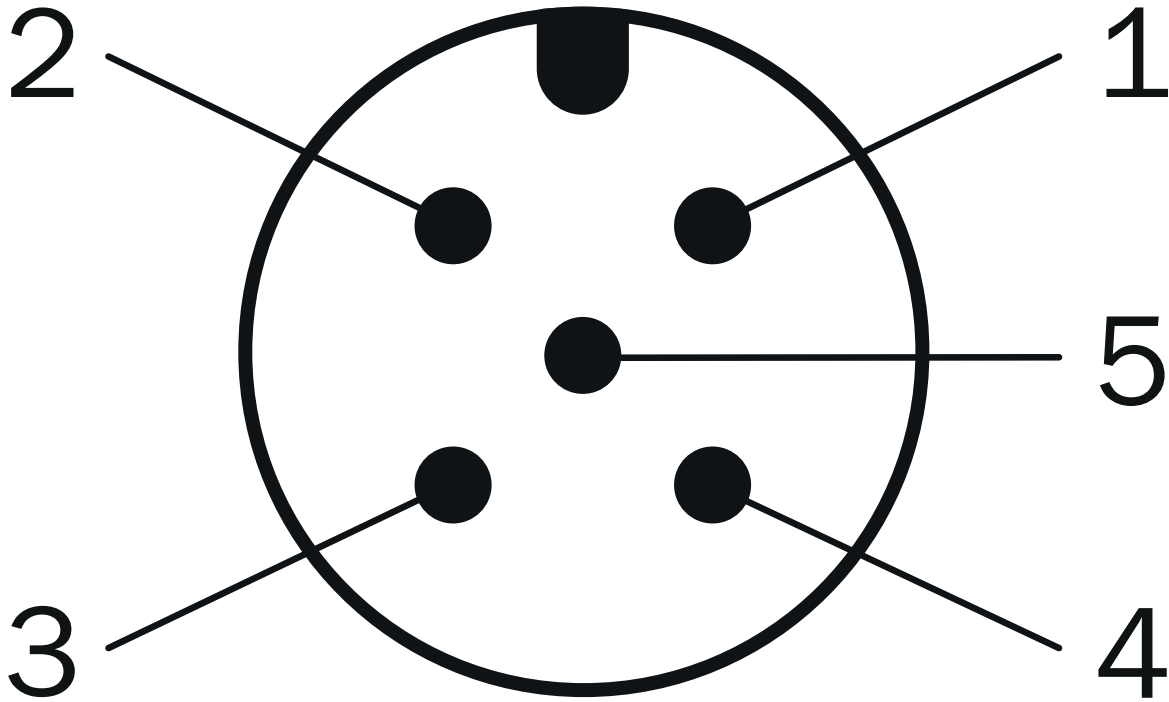
Dimensions in mm (inch)

**POSITIONING OF MOUNTING BRACKET**



Dimensions in mm (inch)

ANSCHLUSSBELEGUNG



| Plug, M12, 5-pin | Signal                     |
|------------------|----------------------------|
| 1                | +24 V DC                   |
| 2                | Signal 1                   |
| 3                | Power Ground               |
| 4                | n.c.                       |
| 5                | Output signal ground (0 V) |

Further information as well as suitable accessories, example applications and downloads such as CAD dimensional models, operating instructions and software can be found at [www.sick.com/1138222](http://www.sick.com/1138222)



SICK AG  
WALDKIRCH  
GERMANY  
SICK.COM

# SICK AT A GLANCE

SICK is a leading global technology company for intelligent sensors and integrated solutions in industrial automation. Our technologies set benchmarks, making your industrial processes more efficient, safer and more sustainable – both in logistics and manufacturing operations.

SICK combines sensor intelligence with industry expertise and certified consulting services. We provide the ideal foundation for scalable as well as tailor-made automation solutions and create added value along the entire value chain. Our close partnerships with our customers are more than just a promise: Together, we optimize productivity, improve quality, protect health and safety, and help build a sustainable future. All with empathy and trust.

Since 1946, we have been developing innovative technologies with passion and a pioneering spirit. With a global network in around 40 countries, SICK has a global presence and is always close by. The company's headquarters are located in Waldkirch near Freiburg, Germany. Our customers benefit from our understanding of both local and global requirements, which enables us to deliver tailor-made solutions

**SICK**  
Sensor Intelligence