

# WTM10L-241612D0A00ZWZZZZZZZZ1

W10

PHOTOELECTRIC SENSORS

**SICK**  
Sensor Intelligence.



Illustration may differ



### Ordering information

Type	part no.
WTM10L-241612D0A00ZWZZZZZZZZ1	1133544

Other models and accessories → [www.sick.com/W10](http://www.sick.com/W10)

### Detailed technical data

#### Features

<b>Functional principle</b>	Photoelectric proximity sensor
<b>Functional principle detail</b>	Background suppression, Foreground suppression, MultiMode
<b>MultiMode</b>	Background suppression Foreground suppression Single value teach-in Two Value Teach-in Manual teach-in ApplicationSelect (Mode 1 - Speed, Mode 2 - Standard, Mode 3 - Precision) Measurement
<b>Sensing range</b>	
Sensing range min.	25 mm (Mode 1 - Speed) 25 mm (Mode 2 - Standard) 25 mm (Mode 3 - Precision)
Sensing range max.	220 mm (Mode 1 - Speed) 300 mm (Mode 2 - Standard) 400 mm (Mode 3 - Precision)
Adjustable switching threshold for background suppression	25 mm ... 220 mm (Mode 1 - Speed) 25 mm ... 300 mm (Mode 2 - Standard) 25 mm ... 400 mm (Mode 3 - Precision)

<sup>1)</sup> 90% remission factor.

<sup>2)</sup> Equivalent to 1  $\sigma$ .

<sup>3)</sup> Observe min. warm-up time of 15 minutes.

<sup>4)</sup> Do not intentionally look into the laser beam. Never point the laser beam at people's eyes.

	Reference object	Object with 90% remission factor (complies with standard white according to DIN 5033)
	Minimum distance between set sensing range and background (black 6% / white 90%)	2 mm, at a distance of 150 mm (Mode 1 - Speed)
		4 mm, At 210 mm distance (Mode 2 - Standard)
		10 mm, at a distance of 300 mm (Mode 3 - Precision)
	Recommended sensing range for the best performance	50 mm ... 150 mm (Mode 1 - Speed)
		50 mm ... 210 mm (Mode 2 - Standard)
		50 mm ... 300 mm (Mode 3 - Precision)
<b>Distance value</b>		
	Measuring range	25 mm ... 400 mm
	Resolution	1 mm
	Repeatability	< 0,5 % <sup>1) 2) 3)</sup>
	Accuracy	< 3 % <sup>1)</sup>
	Distance value output	Via IO-Link + display
<b>Emitted beam</b>		
	Light source	Laser
	Type of light	Visible red light
	Shape of light spot	Point-shaped
	Light spot size (distance)	Ø 0.2 mm (150 mm)
	Maximum dispersion of the emitted beam around the standardized transmission axis (squint angle)	< +/- 1.0° (at T <sub>U</sub> = +23 °C)
<b>Key laser figures</b>		
	Normative reference	IEC 60825-1 / CDRH 21 CFR 1040.10 & 1040.11, EN 60825-1:2014, IEC 60825-1:2014 (except for tolerances according to Laser Notice No. 56 dated May 8, 2019)
	Laser class	1 <sup>4)</sup>
	Wave length	655 nm
	Pulse duration	4 µs
	Maximum pulse power	< 2.5 mW
	Average service life	50,000 h at T <sub>U</sub> = +25 °C
<b>Smallest detectable object (MDO) typ.</b>		
		0.2 mm, at a distance of 150 mm
		Object with 90% remission factor (complies with standard white according to DIN 5033)
<b>Adjustment</b>		
	Touch display	For setting the sensing range and configuring the sensor parameters
	IO-Link	For configuring the sensor parameters and Smart Task functions
<b>Display</b>		
	Display	Display of mode, display of output states, display of the distance value, display of the set value
	LED green	Operating indicator Static on: power on

<sup>1)</sup> 90% remission factor.

<sup>2)</sup> Equivalent to 1 σ.

<sup>3)</sup> Observe min. warm-up time of 15 minutes.

<sup>4)</sup> Do not intentionally look into the laser beam. Never point the laser beam at people's eyes.

	LED yellow	Flashing: IO-Link mode Status of received light beam Static on: object present Static off: object not present
<b>Special features</b>		MultiMode
<b>Special applications</b>		Detecting small objects, Detection of objects moving at high speeds, Detecting flat objects, Detecting uneven, shiny objects, Detection of poorly remitting and tilted objects
<b>Items supplied</b>		Fastening nut (1x)

1) 90% remission factor.

2) Equivalent to 1  $\sigma$ .

3) Observe min. warm-up time of 15 minutes.

4) Do not intentionally look into the laser beam. Never point the laser beam at people's eyes.

### Safety-related parameters

<b>MTTF<sub>D</sub></b>	473 years
<b>DC<sub>avg</sub></b>	0 %
<b>T<sub>M</sub> (mission time)</b>	10 years

### Communication interface

<b>IO-Link</b>	✓ , IO-Link V1.1
Data transmission rate	COM2 (38,4 kBaud)
Cycle time	3.4 ms
Process data length	32 Bit
Process data structure	Bit 0 = switching signal Q <sub>L1</sub> Bit 1 = switching signal Q <sub>L2</sub> Bit 2 ... 5 = Q <sub>int.1</sub> ... Q <sub>int.4</sub> Bit 6 = Operating status of the sensor Bit 7 ... 15 = Empty Bit 16 ... 31 = Distance to object
VendorID	26
DeviceID HEX	0x80032D
DeviceID DEC	8389421
Compatible master port type	A
SIO mode support	Yes

### Electronics

<b>Supply voltage U<sub>B</sub></b>	10 V DC ... 30 V DC <sup>1)</sup>
<b>Ripple</b>	≤ 5 V <sub>pp</sub>
<b>Usage category</b>	DC-12 (According to EN 60947-5-2) DC-13 (According to EN 60947-5-2)
<b>Current consumption</b>	≤ 25 mA, without load. At U <sub>B</sub> = 24 V
<b>Protection class</b>	III

1) Limit values.

2) Signal transit time with resistive load in switching mode.

3) Mode 1 - Speed.

4) Mode 2 - Standard.

5) Mode 3 - Precision.

6) With light/dark ratio 1:1.

<b>Digital output</b>		
Number	2	
Type	Push-pull: PNP/NPN, Individually adjustable	
Switching mode	Light/dark switching	
Output characteristic	Individually adjustable	
Signal voltage PNP HIGH/LOW	Approx. $U_B - 2.0\text{ V}$ / $0\text{ V}$	
Signal voltage NPN HIGH/LOW	Approx. $U_B - 1.0\text{ V}$ / $< 2.5\text{ V}$	
Output current $I_{max}$	$\leq 100\text{ mA}$	
Circuit protection outputs	Reverse polarity protected	
	Overcurrent protected	
	Short-circuit protected	
Response time	$1.8\text{ ms}$ <sup>2) 3)</sup>	
	$5\text{ ms}$ <sup>2) 4)</sup>	
	$15\text{ ms}$ <sup>2) 5)</sup>	
Repeatability (response time)	$< 0,5\%$	
Switching frequency	$275\text{ Hz}$ (Mode 1 - Speed) <sup>6)</sup>	
	$100\text{ Hz}$ (Mode 2 - Standard) <sup>6)</sup>	
	$30\text{ Hz}$ (Mode 3 - Precision) <sup>6)</sup>	
<b>Pin/Wire assignment</b>		
BN 1	+ (L+)	
WH 2	$\bar{Q}_{L1}/MF$ Digital output, dark switching, object present → output $\bar{Q}_{L1}$ LOW (background suppression) Digital output, light switching, object present → output $Q_{L1}$ LOW (foreground suppression) The pin 2 function of the sensor can be configured Additional possible settings via IO-Link	
	BU 3	- (M)
	BK 4	$Q_{L1}/C$ Digital output, light switching, object present → output $Q_{L1}$ HIGH (background suppression) Digital output, dark switching, object present → output $\bar{Q}_{L1}$ HIGH (foreground suppression) IO-Link communication C The pin 4 function of the sensor can be configured Additional possible settings via IO-Link

1) Limit values.

2) Signal transit time with resistive load in switching mode.

3) Mode 1 - Speed.

4) Mode 2 - Standard.

5) Mode 3 - Precision.

6) With light/dark ratio 1:1.

**Mechanics**

<b>Housing</b>	Hybrid
<b>Dimensions (W x H x D)</b>	18 mm x 57 mm x 42.2 mm
<b>Connection</b>	Male connector M12, 4-pin
<b>Material</b>	
Housing	Metal, Stainless steel V4A (1.4404, 316L)

	Front screen	Plastic, PMMA
	Display cover	Plastic, PMMA
	LED	Plastic, ABS
	Male connector	Metal, Stainless steel V4A (1.4404, 316L)
<b>Weight</b>		Approx. 100 g
<b>Maximum tightening torque of the fixing screws</b>		0.56 Nm
<b>Max. tightening torque of the M18 fixing nuts</b>		2 Nm

### Ambient data

<b>Enclosure rating</b>	IP67 (EN 60529) IP69 (Replaces IP69K with ISO 20653: 2013-03)
<b>Ambient operating temperature</b>	-10 °C ... +55 °C
<b>Ambient temperature, storage</b>	-40 °C ... +75 °C
<b>Warm-up time</b>	Observe min. warm-up time of 15 minutes <sup>1)</sup>
<b>Typ. Ambient light immunity</b>	Artificial light: ≤ 15,000 lx Sunlight: ≤ 15,000 lx
<b>Air humidity</b>	35 % ... 95 %, relative humidity (no condensation)
<b>Electromagnetic compatibility (EMC)</b>	EN 60947-5-2, The sensor complies with the Radio Safety Requirements (EMC) for the industrial sector (Radio Safety Class A). It may cause radio interference if used in a residential area.

<sup>1)</sup> During the device warm-up phase, the measured values are subject to increased scatter (temperature drift).

### Smart Task

<b>Smart Task name</b>	Base logics
<b>Logic function</b>	Direct AND OR Window Hysteresis
<b>Timer function</b>	Deactivated Switch-on delay Off delay ON and OFF delay Impulse (one shot)
<b>Inverter</b>	Yes
<b>Switching signal</b>	
	Switching signal $Q_{L1}$ Switching output
	Switching signal $\bar{Q}_{L1}$ Switching output

### Diagnosis

<b>Device temperature</b>	
	Measuring range Very cold, cold, moderate, warm, hot
<b>Device status</b>	Yes
<b>Detailed device status</b>	Yes
<b>Operating hour counter</b>	Yes
<b>Operating hours counter with reset function</b>	Yes

### Certificates

<b>EU declaration of conformity</b>	✓
-------------------------------------	---

<b>UK declaration of conformity</b>	✓
<b>ACMA declaration of conformity</b>	✓
<b>Moroccan declaration of conformity</b>	✓
<b>China RoHS</b>	✓
<b>cULus certificate</b>	✓
<b>IO-Link certificate</b>	✓
<b>Laser safety (IEC 60825-1) certificate</b>	✓
<b>Information according to Art. 3 of Data Act (Regulation EU 2023/2854)</b>	✓

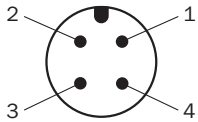
Classifications

<b>ECLASS 5.0</b>	27270904
<b>ECLASS 5.1.4</b>	27270904
<b>ECLASS 6.0</b>	27270904
<b>ECLASS 6.2</b>	27270904
<b>ECLASS 7.0</b>	27270904
<b>ECLASS 8.0</b>	27270904
<b>ECLASS 8.1</b>	27270904
<b>ECLASS 9.0</b>	27270904
<b>ECLASS 10.0</b>	27270904
<b>ECLASS 11.0</b>	27270904
<b>ECLASS 12.0</b>	27270903
<b>ETIM 5.0</b>	EC002719
<b>ETIM 6.0</b>	EC002719
<b>ETIM 7.0</b>	EC002719
<b>ETIM 8.0</b>	EC002719
<b>UNSPSC 16.0901</b>	39121528

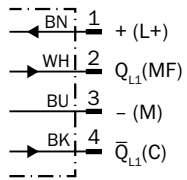


- ③ touch display
- ④ Current distance
- ⑤ Distance of last good teach-in
- ⑥ Lock/unlock status indicator
- ⑦ Display navigation arrows

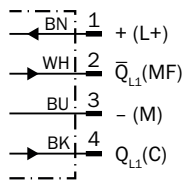
Connection type M12 male connector, 4-pin



Connection diagram Cd-562 (foreground suppression)



Connection diagram Cd-561 (background suppression)



Truth table Push-pull: PNP/NPN - light switching Q (foreground suppression)

	Light switching Q (normally closed (upper switch), normally open (lower switch))	
	Object not present → Output HIGH	Object present → Output LOW
Light receive	✔	✘
Light receive indicator	☀	✘
Load resistance to L+	✘	⚡
Load resistance to M	⚡	✘

Truth table Push-pull: PNP/NPN - dark switching  $\bar{Q}$  (foreground suppression)

	Dark switching $\bar{Q}$ (normally open (upper switch), normally closed (lower switch))	
	Object not present → Output LOW	Object present → Output HIGH
Light receive	✔	✘
Light receive indicator	☀	✘
Load resistance to L+	⚡	✘
Load resistance to M	✘	⚡

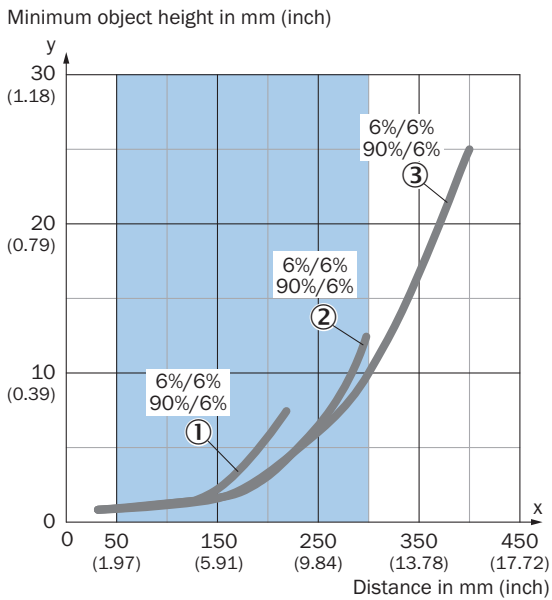
Truth table Push-pull: PNP/NPN - light switching Q (background suppression)

	Light switching Q (normally open (upper switch), normally closed (lower switch))	
	Object not present → Output LOW	Object present → Output HIGH
Light receive	⊗	✔
Light receive indicator	⊗	☀
Load resistance to L+	⚡	⊗
Load resistance to M	⊗	⚡

Truth table Push-pull: PNP/NPN - dark switching  $\bar{Q}$  (background suppression)

	Dark switching $\bar{Q}$ (normally closed (upper switch), normally open (lower switch))	
	Object not present → Output HIGH	Object present → Output LOW
Light receive	⊗	✔
Light receive indicator	⊗	☀
Load resistance to L+	⊗	⚡
Load resistance to M	⚡	⊗

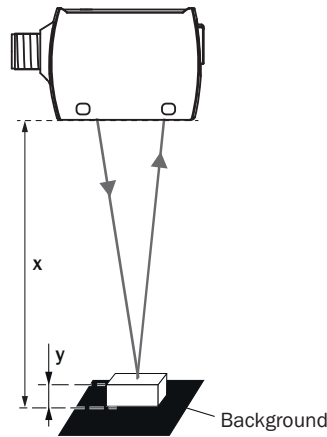
Characteristic curve (Foreground suppression)



Recommended sensing range for the best performance

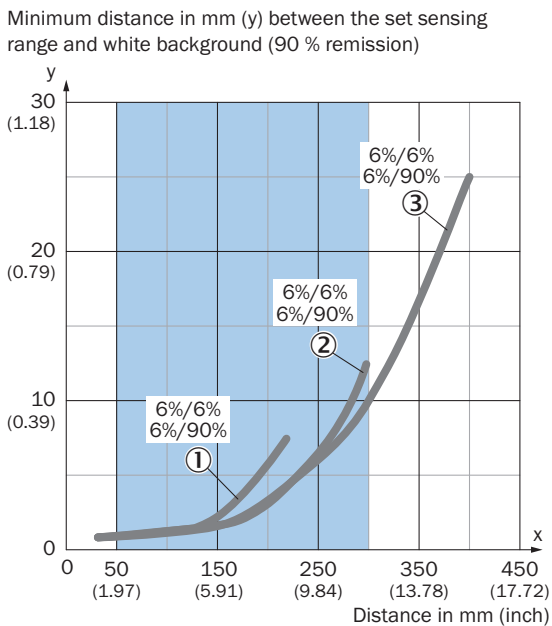
- ① Black object, 6% remission factor, Mode 1 - Speed
- ② Black object, 6% remission factor, Mode 2 - Standard
- ③ Black object, 6% remission factor, Mode 3 - Precision

Example:  
Reliable detection of the object



Black background (6 % remission factor)  
Distance of sensor to background  $x = 300$  mm  
Required minimum object height  $y = 10$  mm  
For all objects regardless of their colors

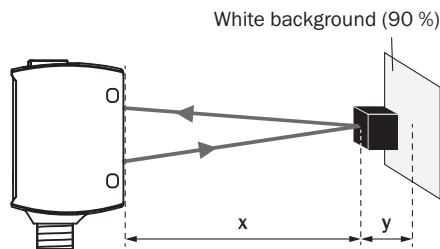
Characteristic curve (Background suppression)



Recommended sensing range for the best performance

- ① Black object, 6% remission factor, Mode 1 - Speed
- ② Black object, 6% remission factor, Mode 2 - Standard

Example:  
Safe suppression of the background

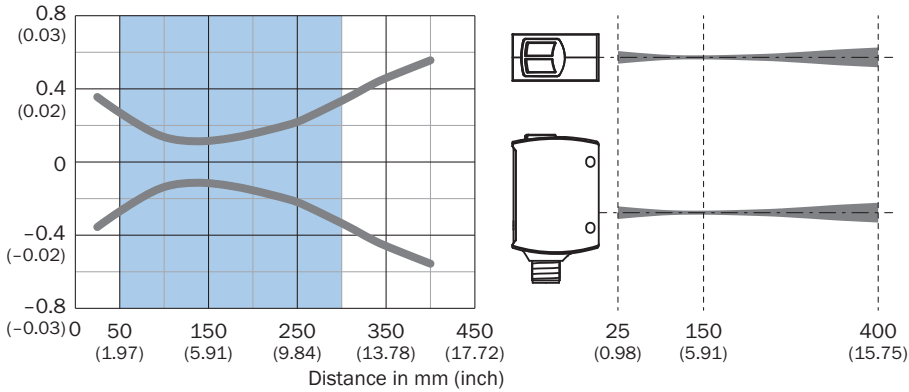


Black object (6 % remission)  
Set sensing range  $x = 300$  mm  
Needed minimum distance to white background  $y = 10$  mm

③ Black object, 6% remission factor, Mode 3 - Precision

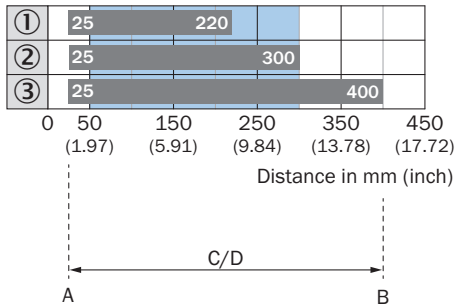
Light spot size

Dimensions in mm (inch)



Recommended sensing range for the best performance

Sensing range diagram



Recommended sensing range for the best performance

1	Black object, 6% remission factor, Mode 1 - Speed
2	Black object, 6% remission factor, Mode 2 - Standard
3	Black object, 6% remission factor, Mode 3 - Precision
A	Sensing range min. in mm
B	Sensing range max. in mm
C	Field of view
D	Adjustable switching threshold for background suppression

### Recommended accessories

Other models and accessories → [www.sick.com/W10](http://www.sick.com/W10)

	Brief description	Type	part no.
network devices			
		SIG350-0004AP100	6076871
Mounting systems			
	<ul style="list-style-type: none"> <li><b>Description:</b> Plate N08 for universal clamp bracket</li> <li><b>Material:</b> Steel, zinc diecast</li> <li><b>Details:</b> Zinc plated steel (sheet), Zinc die cast (clamping bracket)</li> <li><b>Items supplied:</b> Universal clamp (5322626), mounting hardware</li> <li><b>Usable for:</b> W100, W150, W4S, W4F, W8, W9-3, W8G, W8 Laser, W8 Inox, G6, W100 Laser, W100-2, W10, G6 Inox, RAY10, W4SLG-3, W9, GR18, MultiPulse, Reflex Array, MultiLine, LUT3, KT5, KT8, KT10, CS8</li> </ul>	BEF-KHS-N08	2051607
	<ul style="list-style-type: none"> <li><b>Description:</b> Mounting bracket for M18 sensors</li> <li><b>Material:</b> Steel</li> <li><b>Details:</b> Steel, zinc coated</li> <li><b>Items supplied:</b> Without mounting hardware</li> <li><b>Suitable for:</b> GR18, V180-2, V18, W15, Z1, Z2</li> </ul>	BEF-WN-M18	5308446
	<ul style="list-style-type: none"> <li><b>Description:</b> Mounting bracket for M18 sensors</li> <li><b>Material:</b> Stainless steel</li> <li><b>Details:</b> Stainless steel</li> <li><b>Items supplied:</b> Without mounting hardware</li> </ul>	BEF-WN-M18N	5320947
connectors and cables			
	<ul style="list-style-type: none"> <li><b>Description:</b> Sensor/actuator cable, unshielded</li> <li><b>Connection type head A:</b> Female connector, M12, 4-pin, straight, A-coded</li> <li><b>Connection type head B:</b> Flying leads</li> <li><b>Signal type:</b> Sensor/actuator cable</li> <li><b>Cable:</b> 5 m, 4-wire, PUR, halogen-free</li> <li><b>Application:</b> Drag chain operation, Zones with oils and lubricants, Robot, Drag chain operation</li> </ul>	YF2A14-050UB3XLEAX	2095608
	<ul style="list-style-type: none"> <li><b>Description:</b> Sensor/actuator cable, unshielded</li> <li><b>Connection type head A:</b> Female connector, M12, 4-pin, straight, A-coded</li> <li><b>Connection type head B:</b> Flying leads</li> <li><b>Signal type:</b> Sensor/actuator cable</li> <li><b>Cable:</b> 5 m, 4-wire, PVC</li> <li><b>Application:</b> Uncontaminated zones, Zones with chemicals</li> </ul>	YF2A14-050VB3XLEAX	2096235
	<ul style="list-style-type: none"> <li><b>Description:</b> Sensor/actuator cable, unshielded</li> <li><b>Connection type head A:</b> Female connector, M12, 4-pin, straight</li> <li><b>Connection type head B:</b> Flying leads</li> <li><b>Signal type:</b> Sensor/actuator cable</li> <li><b>Cable:</b> 5 m, 4-wire, PVC</li> <li><b>Connection systems:</b> Flying leads</li> <li><b>Note:</b> This product is generally resistant to chemical cleaning agents (see ECOLAB). Please do not use cleaning agents of any other Kind., Not resistant against lactic acid &amp; hydrogen peroxide (H2O2)</li> <li><b>Application:</b> Uncontaminated zones, Hygienic and washdown zones, Zones with chemicals</li> </ul>	YF2AP4-050VB3XLEAX	6052615
	<ul style="list-style-type: none"> <li><b>Description:</b> Sensor/actuator cable, unshielded</li> <li><b>Connection type head A:</b> Female connector, M12, 4-pin, straight</li> <li><b>Connection type head B:</b> Flying leads</li> <li><b>Signal type:</b> Sensor/actuator cable</li> <li><b>Cable:</b> 5 m, 4-wire, PP</li> <li><b>Connection systems:</b> Flying leads</li> <li><b>Note:</b> This product is generally resistant to chemical cleaning agents (see ECOLAB) and other chemical compounds such as H2O2 and CH2O2. Before permanent installation is carried out, the material's resistance to the cleaning agent being used must be checked., Resistant against lactic acid &amp; hydrogen peroxide (H2O2)</li> <li><b>Application:</b> Hygienic and washdown zones, Drag chain operation, Robot, cold bending resistant, seawater resistant</li> </ul>	DOL-1204-G05MRN	6058476

## SICK AT A GLANCE

SICK is one of the leading manufacturers of intelligent sensors and sensor solutions for industrial applications. A unique range of products and services creates the perfect basis for controlling processes securely and efficiently, protecting individuals from accidents and preventing damage to the environment.

We have extensive experience in a wide range of industries and understand their processes and requirements. With intelligent sensors, we can deliver exactly what our customers need. In application centers in Europe, Asia and North America, system solutions are tested and optimized in accordance with customer specifications. All this makes us a reliable supplier and development partner.

Comprehensive services complete our offering: SICK LifeTime Services provide support throughout the machine life cycle and ensure safety and productivity.

For us, that is “Sensor Intelligence.”

## WORLDWIDE PRESENCE:

Contacts and other locations –[www.sick.com](http://www.sick.com)