



# SYS/SGD-W4150000002W4F

Safeguard Detector

SAFETY SYSTEMS FOR AUTOMATING MATERIAL FLOWS

**SICK**  
Sensor Intelligence.



### Ordering information

Type	part no.
SYS/SGD-W415000002W4F	1129657

**Included in delivery:** WTB4FP-213111A0ZZZ (2)

Other models and accessories → [www.sick.com/Safeguard\\_Detector](http://www.sick.com/Safeguard_Detector)

### Detailed technical data

#### Features

<b>Safety task</b>	Natural protection due to the material
<b>Product scope</b>	Sensors
<b>Detection zone</b>	30 mm ... 150 mm <sup>1)</sup>
<b>Items supplied</b>	2 × WTB4F MultiPulse sensor 150 mm

<sup>1)</sup> If no movable physical guard is identified in the detection zone, the safety controller prompts the machine to enter the safe state.

#### MultiPulse photoelectric proximity sensor

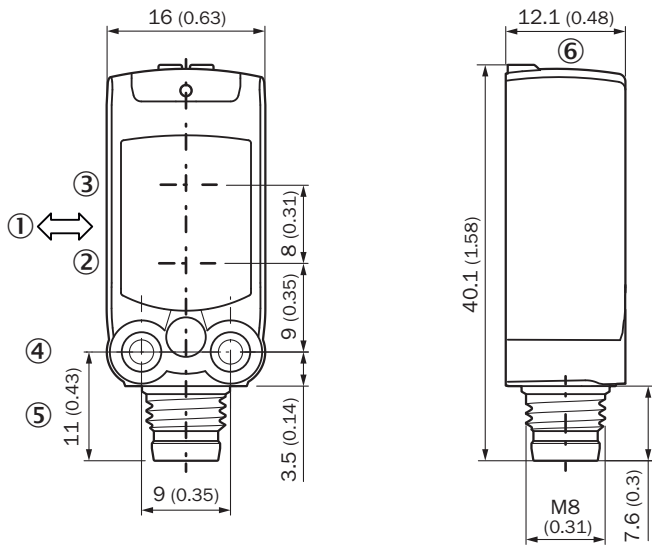
<b>Number of sensors</b>	2 pieces
<b>Detection zone</b>	30 mm ... 150 mm <sup>1)</sup>
<b>Remission</b>	6 % ... 90 %
<b>Pulse frequency</b>	10 Hz
<b>Response time</b>	≤ 100 ms
<b>Type of light</b>	Visible red light
<b>Wave length</b>	650 nm
<b>Light spot size (distance)</b>	Ø 7 mm (50 mm)
<b>Connection type</b>	Connector M8, 3-pin
<b>Voltage supply</b>	Via safety controller
<b>Enclosure rating</b>	IP67 (EN 60529)
<b>Ambient operating temperature</b>	-40 °C ... +60 °C

<sup>1)</sup> If no movable physical guard is identified in the detection zone, the safety controller prompts the machine to enter the safe state.

#### Certificates

<b>China RoHS</b>	✓
-------------------	---

Dimensional drawing



Dimensions in mm (inch)

- ① Standard direction of the material being detected
- ② Center of optical axis, sender
- ③ Center of optical axis, receiver
- ④ M3 mounting hole
- ⑤ Connection
- ⑥ display and adjustment elements

## SICK AT A GLANCE

SICK is one of the leading manufacturers of intelligent sensors and sensor solutions for industrial applications. A unique range of products and services creates the perfect basis for controlling processes securely and efficiently, protecting individuals from accidents and preventing damage to the environment.

We have extensive experience in a wide range of industries and understand their processes and requirements. With intelligent sensors, we can deliver exactly what our customers need. In application centers in Europe, Asia and North America, system solutions are tested and optimized in accordance with customer specifications. All this makes us a reliable supplier and development partner.

Comprehensive services complete our offering: SICK LifeTime Services provide support throughout the machine life cycle and ensure safety and productivity.

For us, that is “Sensor Intelligence.”

## WORLDWIDE PRESENCE:

Contacts and other locations –[www.sick.com](http://www.sick.com)